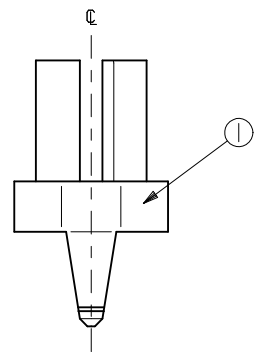
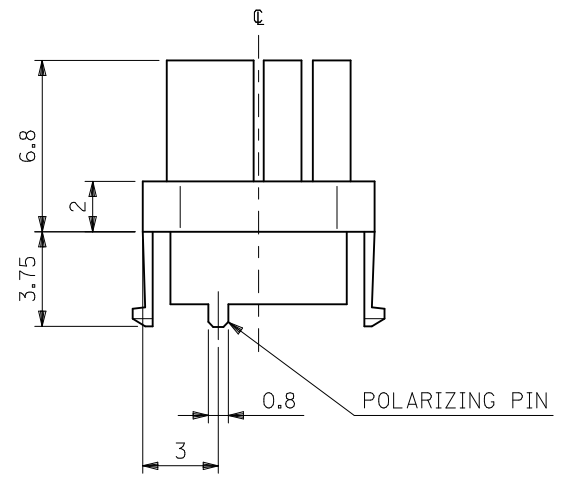
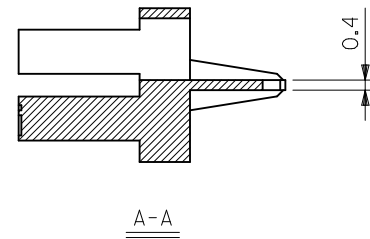
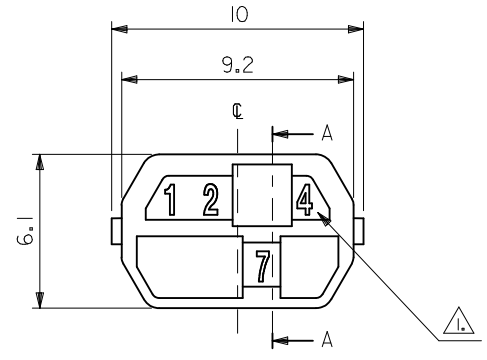


番号 NO.	部品 PART NAME	材質 MATERIAL
①	リセプタクル コーディング キー RECEPTACLE CODING KEY	ナイロン, ガラス充填, UL94V-0 PA, GLASS FILLED, UL94V-0

注記
NOTE

△ ID MUNBERを表わす。
例) 本図の ID MUNBERは "I247"。



51166-1236	NUT BROWN	4578	51165-4578
↑ -1248	STRAWBERRY RED	3567	↑ -3567
-1268	OLIVE YELLOW	3457	-3457
-1356	BLUE LILAC	2478	-2478
-1567	BRILLIANT BLUE	2348	-2348
-2578	RESEDA GREEN	1346	-1346
-3456	CADMIUM YELLOW	1278	-1278
-3467	SLATE GRAY	1258	-1258
↓ -3478	STEEL BLUE	1256	↓ -1256
51166-4678	OCHRE YELLOW	1235	51165-1235
PLUG KEY MATERIAL NO.	COLOR	ID MUNBER	MATERIAL NO.

REVISED EC NO: J2012-0007 DRWN: YSEDA 2011/07/01 CHKD: ASHIMOTSU 2011/07/01 APPR: MYAGI 2011/07/06	GENERAL TOLERANCES (UNLESS SPECIFIED)	DIMENSION STYLE MM ONLY	SCALE	DESIGN UNITS METRIC	THIRD ANGLE PROJECTION	
	10 UNDER ±0.2	DRAWN BY SANDO DATE 2000/07/31	TITLE	'MZP' B/B CONN. REC. CODING KEY		
	10 OVER 30 UNDER ±0.25	CHECKED BY ANODA DATE 2000/07/31	MOLEX INCORPORATED			
	30 OVER ±0.3	APPROVED BY HIKESUGI DATE 2000/07/31	MATERIAL NO.	DOCUMENT NO.	SHEET NO.	
ANGULAR ±1 °	DRAFT WHERE APPLICABLE MUST REMAIN WITHIN DIMENSIONS	SEE CHART	SD-51165-001 1 OF 1			
		SIZE A3	THIS DRAWING CONTAINS INFORMATION THAT IS PROPRIETARY TO MOLEX INCORPORATED AND SHOULD NOT BE USED WITHOUT WRITTEN PERMISSION			