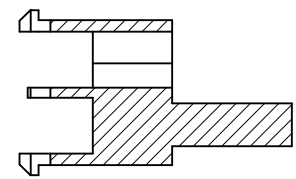
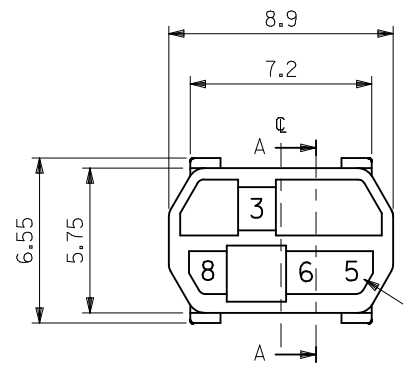


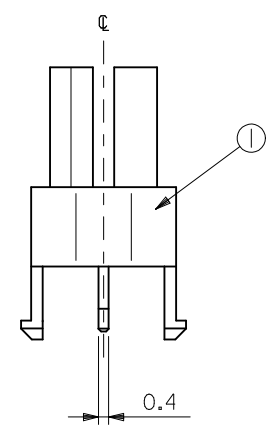
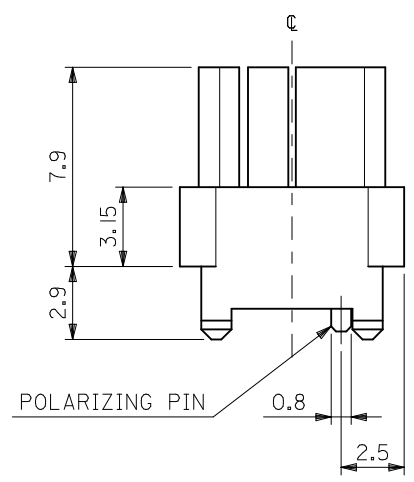
番号 NO.	部品 PART NAME	材質 MATERIAL
①	プラグ コーディング キー PLUG CODING KEY	ナイロン, ガラス充填, UL94V-0 PA, GLASS FILLED, UL94V-0

注記
NOTE

△ ID MUNBERを表わす。
例) 本図の ID MUNBER は "3568".



A-A



51165-4678	OCRE YELLOW	4678	51166-4678
↑ -1258	OLIVE YELLOW	3467	↑ -3467
↓ -1346	RESEDA GREEN	2578	↓ -2578
↓ -3457	OLIVE YELLOW	1268	↓ -1268
51165-4567	ULTRAMARINE BLUE	1238	51166-1238
REC. KEY MATERIAL NO.	COLOR	ID MUNBER	MATERIAL NO.

REVISED EC NO: J2012-0007 DRWN: YSEDA 2011/07/01 CHKD: APPR: MYAGI 2011/07/06	GENERAL TOLERANCES (UNLESS SPECIFIED)		DIMENSION STYLE MM ONLY	SCALE	DESIGN UNITS METRIC	THIRD ANGLE PROJECTION
	10 UNDER	±0.2	DRAWN BY SANDO	DATE 2000/07/31	TITLE 'MZP' B/B CONN. PLUG CODING KEY	
	10 OVER 30 UNDER	±0.25	CHECKED BY ANODA	DATE 2000/07/31	MOLEX INCORPORATED	
	30 OVER	±0.3	APPROVED BY HIKESUGI	DATE 2000/07/31	DOCUMENT NO. SD-51166-001	SHEET NO. 1 OF 1
	ANGULAR ±1 °	DRAFT WHERE APPLICABLE MUST REMAIN WITHIN DIMENSIONS	MATERIAL NO. SEE CHART	THIS DRAWING CONTAINS INFORMATION THAT IS PROPRIETARY TO MOLEX INCORPORATED AND SHOULD NOT BE USED WITHOUT WRITTEN PERMISSION		