

BLACK	53856-5011	50
WHITE	53856-5010	50
HOUSING COLOR	ENG. No.	No. Of CKT.

DO NOT SCALE DRAWING

EC NO. DRWN: CHK: APPR:	EC NO. DRWN: CHK: APPR:	EC NO. DRWN: CHK: APPR:	EC NO. DRWN: CHK: APPR:
RELEASED	EC NO. JD2000-0925	DRWN: THANYU '00/03/0	CHK: MSASAO '00/03/0
		APPR: HIKESUGI '00/03/0	
REV	DESCRIPTION	MATERIAL 材料	FINISH 仕上り
0		SEE NOTES	SEE NOTES
	WIRE RANGE 適用規格範囲		
	INS. RANGE 被覆外径		

GENERAL TOLERANCES: (UNLESS SPECIFIED) 一般公差	SCALE 2 - 1	DESIGN UNITS <input checked="" type="checkbox"/> mm <input type="checkbox"/> INCH	THIRD ANGLE PROJECTION <input checked="" type="checkbox"/> mm <input type="checkbox"/> INCH	DIMENSIONS: <input type="checkbox"/> mm <input type="checkbox"/> INCH <input checked="" type="checkbox"/> mm ONLY	SHT REV
10 UNDER 未満	±0.2	DRAWN BY & DATE T. Hamura '00/03/10	TITLE: CF CARD CONN. 50P HEADER ASS'Y		
10 OVER 30 UNDER 以上 未満	±0.25	CHECKED BY & DATE M. Sasao '00/03/10	MATERIAL NO. SEE CHART		
30 OVER 以上	±0.3	APPROVED BY & DATE [Signature] '00/03/10	DRAWING NO. SD-53856-002		
ANGLE 角度	±3°	CAD FILENAME SD-53856-002.S01	SHEET NO. 1 OF 2		

53856-501		MODEL No.	DIMENSIONS:		SHT	REV
		<input checked="" type="checkbox"/> mm <input type="checkbox"/> INCH	<input type="checkbox"/> mm <input type="checkbox"/> INCH		<input checked="" type="checkbox"/> mm ONLY	REVISE ON CAD ONLY
MATERIAL NO. SEE CHART						
DRAWING NO. SD-53856-002						
SHEET NO. 1 OF 2						
THIS DRAWING CONTAINS INFORMATION THAT IS PROPRIETARY TO MOLEX INCORPORATED AND SHOULD NOT BE USED WITHOUT WRITTEN PERMISSION.						
						SIZE B

DWG. NO. SD-53856-002

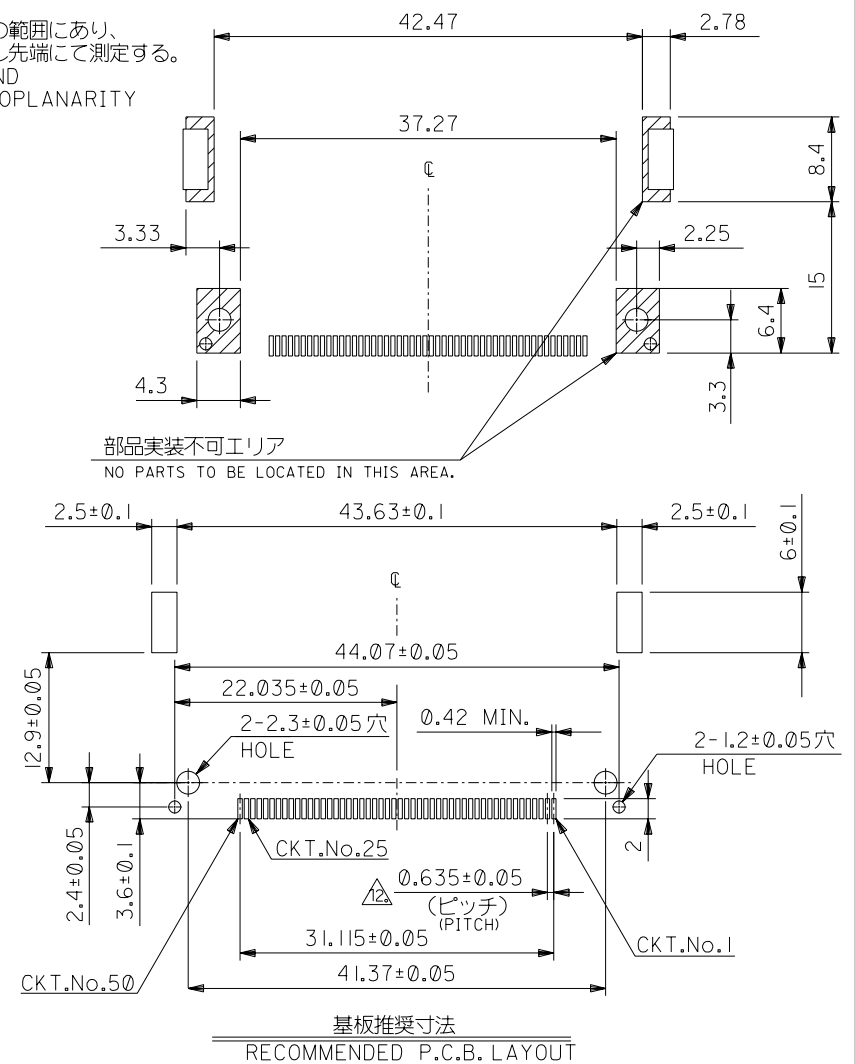
DO NOT SCALE DRAWING

注) NOTES

- 材質
MATERIAL
ハウジング: ガラス入りLCP UL94V-0
HOUSING: LCP G.F. UL94V-0
ピン: リン青銅
PIN: PHOSPHOR BRONZE
メール: リン青銅
NAIL: PHOSPHOR BRONZE
- メッキ仕様
PLATING
PIN 接点部: パラジウムニッケル下地、金メッキ
CONTACT AREA: Au OVER Pd-Ni
半田付け部: 半田メッキ
SOLDER TAIL AREA: TIN-LEAD
下地メッキ: ニッケルメッキ
UNDERPLATING: Ni OVER ALL
NAIL 半田メッキ
Sn-Pb
下地メッキ: 銅メッキ
UNDERPLATING: Cu OVER ALL
- 推奨基板厚: $t \geq 0.8$ MIN.
RECOMMENDED P.C.B. THICKNESS: $t \geq 0.8$ MIN.
- 適合カード厚
RECOMMENDED CARD THICKNESS
接続部: 3.3 ± 0.1
CONNECTING AREA: 3.3 ± 0.1
- 適合カード幅: 42.8 ± 0.1
RECOMMENDED CARD WIDTH: 42.8 ± 0.1
- ハウジング色:
HOUSING COLOR:
53856-5010: 白 (WHITE)
53856-5010: 黒 (BLACK)
- 寸法適用極: 1,13,38,50
THIS DIMENSION APPLIES TO CIRCUIT NUMBERS
1, 13, 38 AND 50.
- 寸法適用極: 25,26
THIS DIMENSION APPLIES TO CIRCUIT NUMBERS 25 AND 26.
- ピンの倒れは、ピン根元を基準に全方向へ 0.1 MAX.とする。
PIN TIP LEAN TOWARD ANY DIRECTION NOT TO EXCEED 0.1
WHEN MEASURED FROM PIN BASE.
- ピン根元に適用する。
THIS DIMENSION TO BE MEASURED AT PIN BASE.

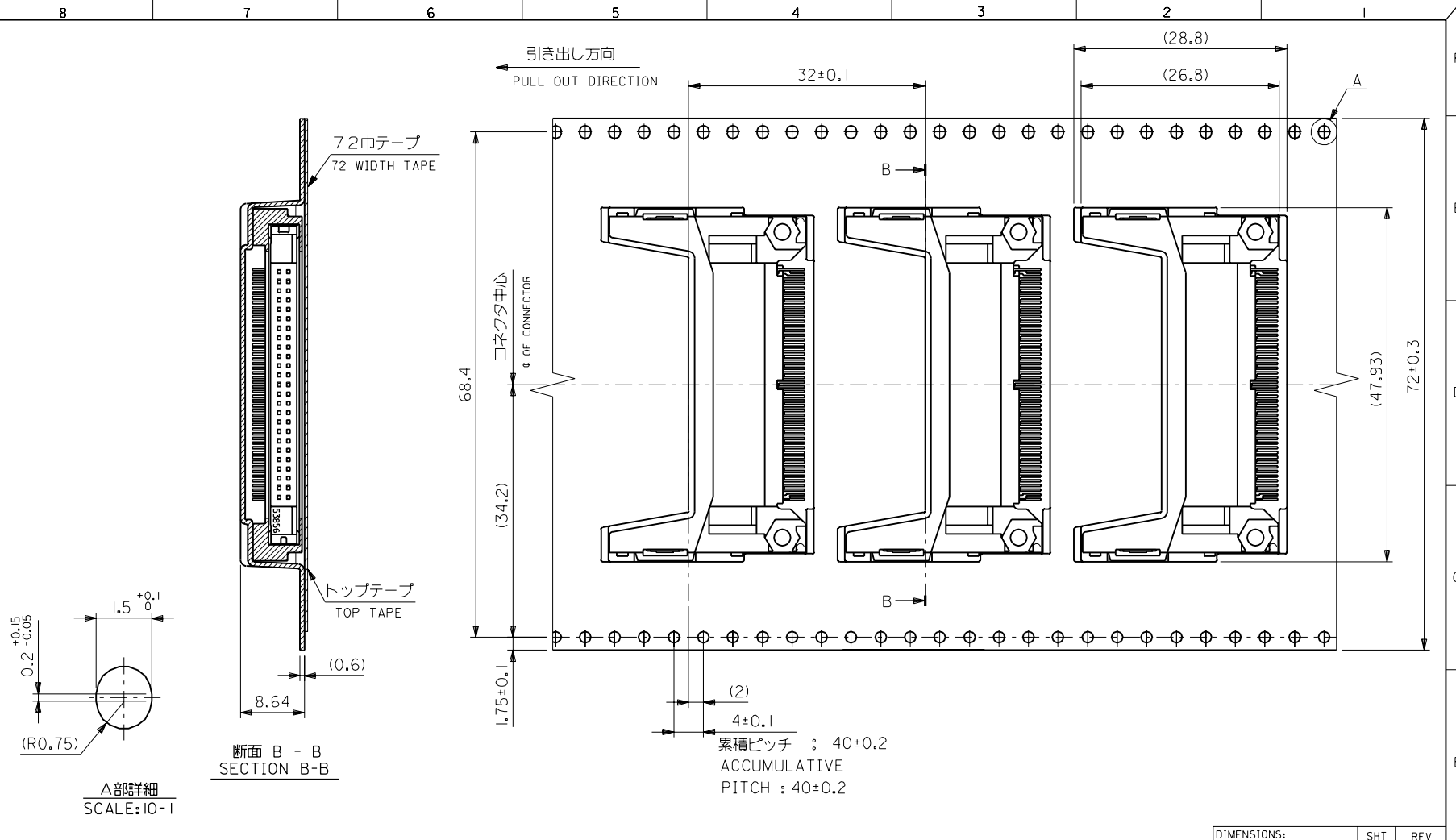
△ ソルダータールは、Z面を基準とし上へ 0.05 下へ 0.2 の範囲にあり、且つソルダータールの平坦度は、 0.15 MAX. とし、テール先端にて測定する。
SOLDERTAILS TO BE WITHIN 0.05 UPWARD AND 0.2 DOWNWARD FROM Z-DATUM PLACE, AND COPLANARITY OF SOLDERTAILS TO BE WITHIN 0.15 . MEASUREMENT POINT IS SOLDERTAILS TIP.

△ 公差非累積
NON-CUMULATIVE



EC NO. DRAWN: CHK: APPR:	EC NO. DRAWN: CHK: APPR:	EC NO. DRAWN: CHK: APPR:	EC NO. DRAWN: CHK: APPR:	EC NO. DRAWN: CHK: APPR:	EC NO. DRAWN: CHK: APPR:	0	REV	MATERIAL 材料	GENERAL TOLERANCES: (UNLESS SPECIFIED) 一般公差	SCALE 2-1	DESIGN UNITS <input checked="" type="checkbox"/> mm <input type="checkbox"/> INCH	THIRD ANGLE PROJECTION	DIMENSIONS: <input type="checkbox"/> mm <input type="checkbox"/> INCH <input checked="" type="checkbox"/> mm ONLY	SHT	REV
								FINISH 仕上げ	10 UNDER 未満 ±0.2	DRAWN BY & DATE T. Hamano '00/03/10	TITLE: CF CARD CONN. 50P HEADER ASS'Y				
								WIRE RANGE 適用電線範囲	10 OVER 30 UNDER 未満 ±0.25	CHECKED BY & DATE H. Sasao '00/03/10	MOLEX INCORPORATED				
								INS. RANGE 被覆外径	30 OVER 以上 ±0.3	APPROVED BY & DATE (Signature) '00/03/10	MATERIAL NO.	DRAWING NO.	SHEET NO.		
								ANGLE 角度	±3°	THIS DRAWING CONTAINS INFORMATION THAT IS PROPRIETARY TO MOLEX INCORPORATED AND SHOULD NOT BE USED WITHOUT WRITTEN PERMISSION.					SIZE B

SD-53856-002.S02



EC NO. DRWN: CHK: APPR:	EC NO. DRWN: CHK: APPR:	EC NO. DRWN: CHK: APPR:	EC NO. DRWN: CHK: APPR:	SEE SHEET 1 OF 2 EC NO. DRWN: CHK: APPR:	DESCRIPTION	MATERIAL 材料	GENERAL TOLERANCES: (UNLESS SPECIFIED) 一般公差	SCALE 2-1	DESIGN UNITS <input checked="" type="checkbox"/> mm <input type="checkbox"/> INCH	THIRD ANGLE PROJECTION	DIMENSIONS: <input type="checkbox"/> mm <input type="checkbox"/> INCH <input checked="" type="checkbox"/> mm ONLY	SHT REV
					FINISH 仕上り	#	10 UNDER 未満	+0.2	DRAWN BY & DATE <i>T. Hanaya</i> '00/04/07	TITLE: 53856-5010/-5011 TAPING PACKAGE		REVISE ON CAD ONLY
					WIRE RANGE 通所用線形番	#	10 OVER 以上	+0.25	CHECKED BY & DATE <i>H. Saito</i> '00/04/07	<input checked="" type="checkbox"/> mm ONLY		
					INS. RANGE 被覆外径	#	30 OVER 以上	+0.3	APPROVED BY & DATE <i>H. Saito</i> '00/04/07	<input type="checkbox"/> INCH		
					REV		ANGLE 角度	+3°	CAD FILE NAME SD-53856-003.S02	<input type="checkbox"/> mm ONLY		
									MATERIAL NO. SEE SHEET 1	DRAWING NO. SD-53856-003		SHEET NO. 2
									THIS DRAWING CONTAINS INFORMATION THAT IS PROPRIETARY TO MOLEX INCORPORATED AND SHOULD NOT BE USED WITHOUT WRITTEN PERMISSION.			SIZE B