

DWG. NO. SD-54457-025

F

D

C

B

DO NOT SCALE DRAWING

8

7

6

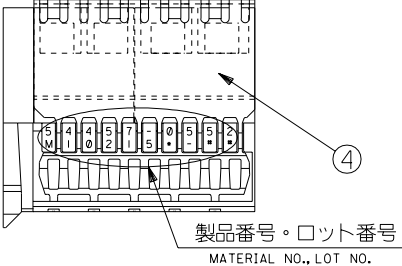
5

4

3

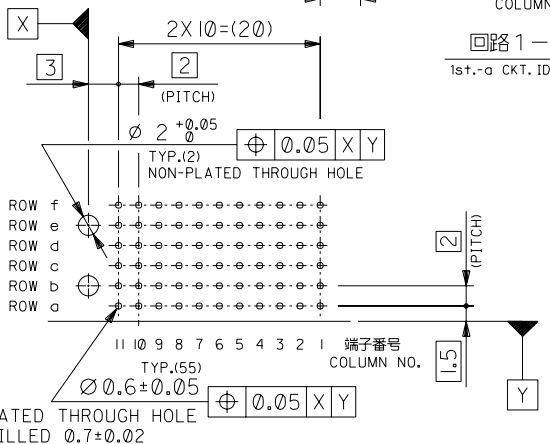
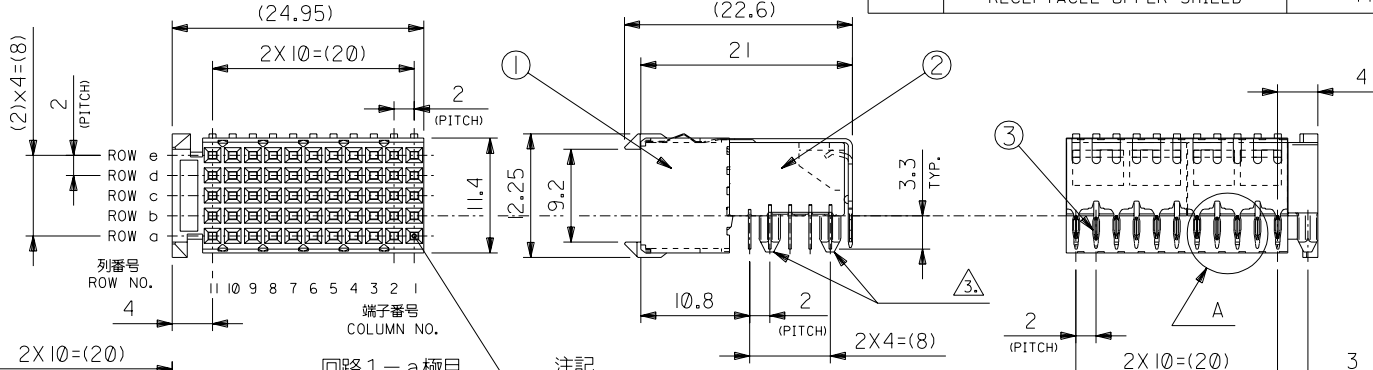
2

1



製品番号・ロット番号  
MATERIAL NO., LOT NO.

番号 NO.	部品 PART NAME	材質 MATERIAL	仕上げ FINISH
①	リセプタクル ハウジング RECEPTACLE HOUSING	液晶ポリマー、UL94V-0 LCP, UL94V-0	—
②	リセプタクル カバー RECEPTACLE COVER	液晶ポリマー、UL94V-0 LCP, UL94V-0	—
③	リセプタクル ターミナル RECEPTACLE TERMINAL	リン青銅 PHOSPHOR BRONZE	△1
④	リセプタクル アッパー シールド RECEPTACLE UPPER SHIELD	リン青銅 PHOSPHOR BRONZE	△2



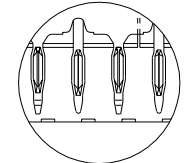
基板穴推奨寸法 (部品実装)

RECOMMENDED P.C.B. LAYOUT (COMPONENT SIDE)

注記 NOTES

- △1. ターミナルめっき仕様  
TERMINAL PLATING  
金めっき: 0.8 μm MIN. (接点部)  
GOLD: 0.8 μm MIN. (CONTACT AREA)  
半田めっき: 0.5 μm MIN. (プレスフィット部)  
TIN-LEAD: 0.5 μm MIN. (PRESS-FIT AREA)  
ニッケルめっき: 1.3 μm MIN. (下地めっき)  
NICKEL: 1.3 μm MIN. (UNDER PLATING)
- △2. シールドめっき仕様  
SHIELD PLATING  
金めっき (接点部)  
GOLD (CONTACT AREA)  
半田めっき (プレスフィット部)  
TIN-LEAD (PRESS-FIT AREA)  
ニッケルめっき (下地めっき)  
NICKEL (UNDER PLATING)
- △3. 基板保持用モールドペグ  
RETENTION PEG (MOLD)
- △4. f 列はシールドフレーム用基板穴。  
THROUGH HOLE OF ROW f FOR SHIELD.

PRESS-FIT TAIL



DETAIL A  
(SCALE:4-1)

MODEL NO. 54457-0558	54457-0558	55
DIMENSIONS:	SHT	REV
<input type="checkbox"/> mm <input type="checkbox"/> INCH	<input checked="" type="checkbox"/> mm ONLY	REVISE ON CAD ONLY

EC NO.	REVISED	REVISED	REVISED	RELEASED	MATERIAL 材料	GENERAL TOLERANCES: (UNLESS SPECIFIED) 一般公差	SCALE	DESIGN UNITS	THIRD ANGLE PROJECTION	TITLE:	MATERIAL NO.	DRAWING NO.	SHEET NO.
EC NO. J2003-0788 DRWN: S.ANDO CHK: A.NODA APPR: A.NODA	EC NO. JD2001-1170 DRWN: S.ANDO CHK: A.NODA APPR: H.IKESUGI	EC NO. JD2000-1248 DRWN: S.HOSHIKAWA CHK: A.NODA APPR: H.IKESUGI	EC NO. JD2000-0529 DRWN: S.HOSHIKAWA CHK: A.NODA APPR: H.IKESUGI	—	—	10 UNDER 未満 ±0.2	2-1	mm INCH	◎	"MZIP" B/B CONN. REC. RIGHT ANGLE ASS'Y TYPE C WITH SHIELD	54457-0558	SD-54457-025	1 OF 1
FINISH 仕上げ	—	—	—	—	10 OVER 以上 30 UNDER 未満 ±0.25	30 OVER 以上 ±0.3	DRAWN BY & DATE CHECKED BY & DATE APPROVED BY & DATE		MOLEX INCORPORATED				
WIRE RANGE 適用線径範囲	—	—	—	—	ANGLE 角度 ±3°	CAD FILENAME SD-54457-025.S01		MATERIAL NO. SEE TABLE		DRAWING NO. SD-54457-025		SHEET NO. 1 OF 1	
INS. RANGE 被覆外径	—	—	—	—	THIS DRAWING CONTAINS INFORMATION THAT IS PROPRIETARY TO MOLEX INCORPORATED AND SHOULD NOT BE USED WITHOUT WRITTEN PERMISSION.								SIZE B

8

7

6

5

4

3

2

EN-02J(097) MXJ-54

SD-54457-025.S01

DWG. NO.  
SD-54457-034

F

D

C

B

DO NOT SCALE DRAWING

8 7 6 5 4 3 2 1

F

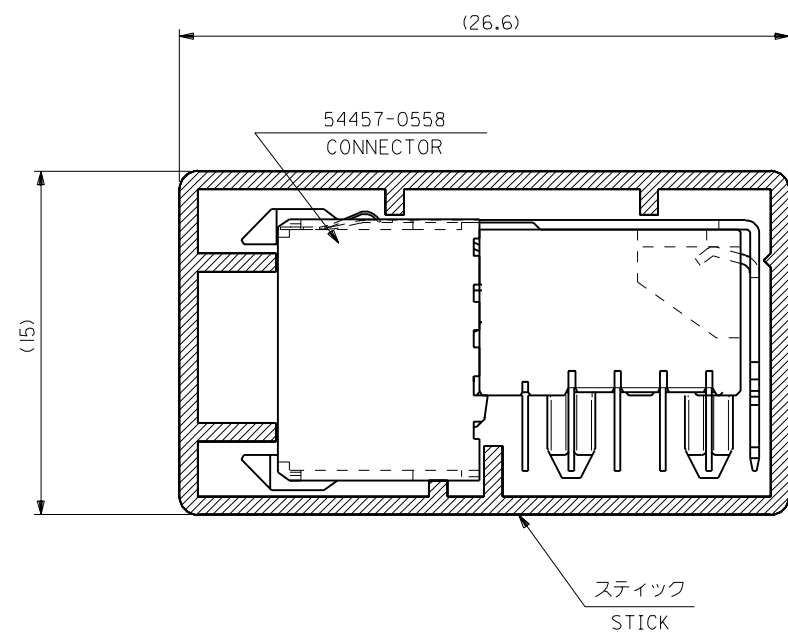
E

D

C

B

SD-54457-034-5A1



注記  
NOTES

1. スティック両端はテープ止め。  
BOTH ENDS WITH TAPES.
2. 全長：560±2mm  
TOTAL LENGTH :
3. 肉厚：0.8±0.2mm  
THICKNESS :

54457-0552	22	54457-0552	55
MODEL NO.	梱包数 QUANTITY	MATERIAL NO.	極数 PIN

④NO. DRWN: CHK: APPR:	③NO. DRWN: CHK: APPR:	②NO. DRWN: CHK: APPR:	①NO. DRWN: CHK: APPR:	RELEASED ④NO. JD2000-1248 DRWN: S. HOSHIKAWA '00/05/18 CHK: A. NODA APPR: H. IKESUGI	MATERIAL 材料 スティック: ポリ塩化ビニル STICK: PVC	GENERAL TOLERANCES: (UNLESS SPECIFIED) 一般公差	SCALE 5-1	DESIGN UNITS <input checked="" type="checkbox"/> mm <input type="checkbox"/> INCH	<input checked="" type="checkbox"/> FIRST ANGLE <input type="checkbox"/> THIRD ANGLE PROJECTION	DIMENSIONS: <input type="checkbox"/> mm <input type="checkbox"/> INCH <input checked="" type="checkbox"/> mm ONLY	SHT	REV	
					FINISH 仕上げ	10 UNDER 未満	+0.2	DRAWN BY & DATE <i>A. Noda</i> '00/05/18	TITLE: "MZP" B/B CONN. REC. RIGHT ANGLE 54457-0558 STICK PACKING	APPROVED BY & DATE <i>A. Noda</i> '00/05/18	MATERIAL NO. SEE CHART	DRAWING NO. SD-54457-034	SHEET NO. 1 OF 1
					WIRE RANGE 適用電線線径	10 OVER 以上	30 UNDER 未満	+0.25	CAD FILENAME SD-54457-034.S01	MATERIAL NO. SEE CHART	DRAWING NO. SD-54457-034	SHEET NO. 1 OF 1	SIZE B
					INS. RANGE 被覆外径	30 OVER 以上		+0.3	ANGLE 角度	+3°	THIS DRAWING CONTAINS INFORMATION THAT IS PROPRIETARY TO MOLEX INCORPORATED AND SHOULD NOT BE USED WITHOUT WRITTEN PERMISSION.		

8 7 6 5 4 3 2 1 EN-02J(097) MXJ-54