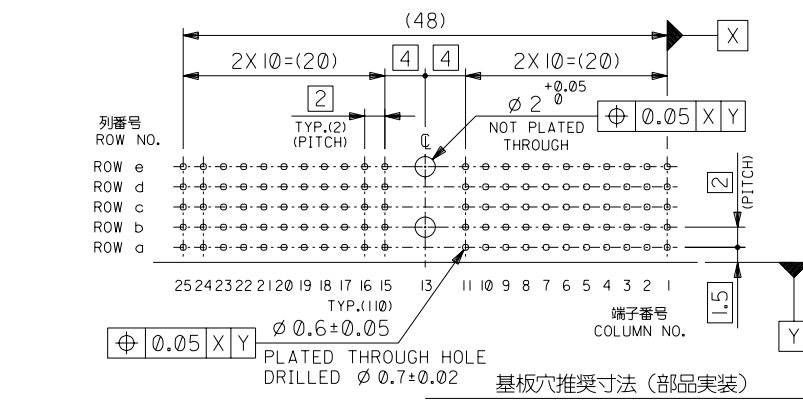
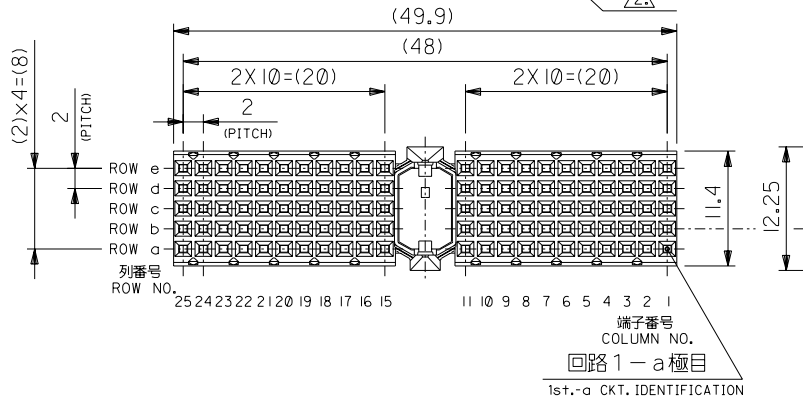
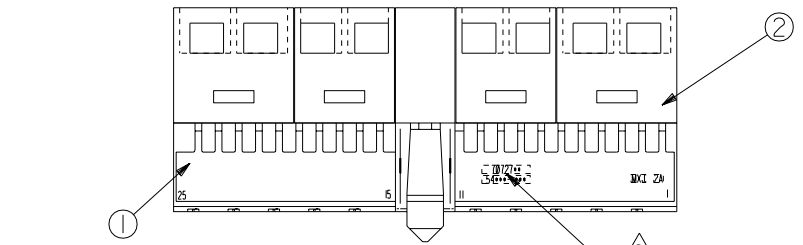


DWG. NO. SD-54457-001

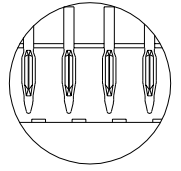
| 番号 No. | 部品 PART NAME | 材質 MATERIAL | 仕上げ FINISH |
|--------|-------------------------------------|---------------------------------------------------------------------------|------------|
| ① | リセプタクル ハウジング RECEPTACLE HOUSING | 液晶ポリマー、ガラス充填、自然色(白)、UL94V-0 LCP, GLASS FILLED, NATURAL(WHITE), UL94V-0 | — |
| ② | リセプタクル カバー RECEPTACLE COVER | 液晶ポリマー、ガラス充填、自然色(白)、UL94V-0 LCP, GLASS FILLED, NATURAL(WHITE), UL94V-0 | — |
| ③ | リセプタクル ターミナル RECEPTACLE TERMINAL | りん青銅 PHOSHOR BRONZE | △1 |



注記 NOTES

- △1 ターミナルめっき仕様
TERMINAL PLATING
金めっき: 0.8 μm MIN.(接点部)
GOLD: 0.8 μm MIN.(CONTACT AREA)
半田めっき: 0.5 μm MIN.(プレスフィット部)
TIN-LEAD: 0.5 μm MIN.(PRESS-FIT AREA)
ニッケルめっき: 1.3 μm MIN.(下地めっき)
NICKEL: 1.3 μm MIN.(UNDER PLATING)
- △2 製品番号及びロットナンバー
MATERIAL NO. & LOT NO.

PRESS-FIT TAIL



DETAIL A (SCALE:4-1)

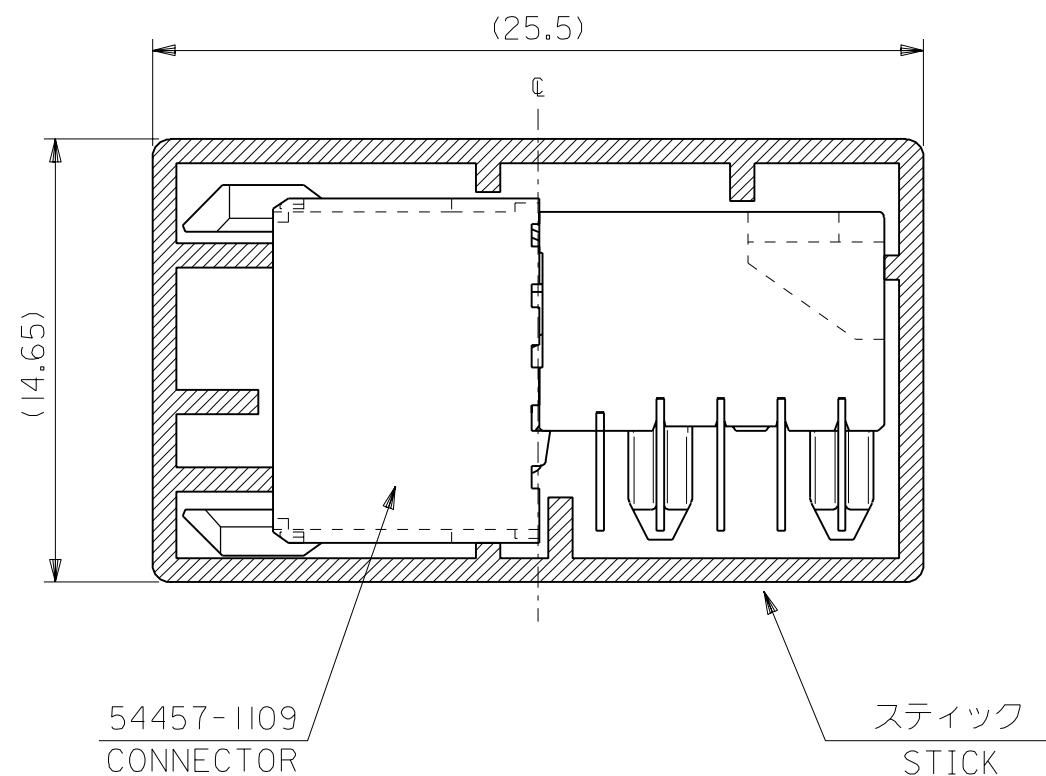
DO NOT SCALE DRAWING

| EC NO. | DRWN: | CHK: | APPR: | REV | DESCRIPTION | MATERIAL 材料 | FINISH 仕上げ | WIRE RANGE 適用線径範囲 | INS. RANGE 被覆外径 |
|-----------------------------------------------------|-------------------------------------------------------------|--------------------------------------------------------------|-------|-----|-------------|-------------|------------|-------------------|-----------------|
| REVISED J2002-2423 S.ANDO A.NODA A.NODA | REVISED JD2000-1248 S.HOSIKAWA A.NODA H.IKESUGI | RELEASED JD2000-0529 S.HOSIKAWA A.NODA H.IKESUGI | | | | — | — | — | — |

| | | | | |
|--------------------------------------------------------------------------------------------------------------------------------|-----------------------------------------------------------------------------------|------------------------|--------------|--------|
| 54457-1109 | 110 | 54457-1109 | MATERIAL NO. | 極数 PIN |
| MODEL NO. | DIMENSIONS: | SHT REV | | |
| | <input type="checkbox"/> mm <input type="checkbox"/> INCH | REVISION ON CAD ONLY | | |
| SCALE 2-1 | DESIGN UNITS <input checked="" type="checkbox"/> mm <input type="checkbox"/> INCH | THIRD ANGLE PROJECTION | | |
| DRAWN BY & DATE | CHECKED BY & DATE | APPROVED BY & DATE | | |
| TITLE: "MZP" B/B CONN. RECEPTACLE R/A ASS'Y TYPE A | | | | |
| MOLEX MOLEX INCORPORATED | | | | |
| CAD FILENAME | MATERIAL NO. | DRAWING NO. | SHEET NO. | |
| SD-54457-001.S01 | SEE TABLE | SD-54457-001 | 1 OF 1 | |
| THIS DRAWING CONTAINS INFORMATION THAT IS PROPRIETARY TO MOLEX INCORPORATED AND SHOULD NOT BE USED WITHOUT WRITTEN PERMISSION. | | | | |
| | | | | SIZE B |

基板穴推奨寸法 (部品実装)
RECOMMENDED P.C.B. LAYOUT (COMPONENT SIDE)

DWG. NO.
SD-54457-019



注記
NOTES

1. スティック両端はテープ止め。
BOTH ENDS WITH TAPES.
2. 全長：600±2mm
TOTAL LENGTH : 600±2mm
3. 肉厚：0.8±0.2mm
THICKNESS : 0.8±0.2mm

| | | |
|-----------------|--------------|-----------|
| II | 54457-1101 | 110 |
| 梱包数 QUANTITY | MATERIAL NO. | 極数 PIN |

| | | | | | |
|----------------------------------------|--|--------------------------------------------------------------------------------------|-----------------------------|----------------------------------------------------------------------------------------------------|-----|
| MODEL NO. : 54457-1101 | | DIMENSIONS: | | SHT | REV |
| SCALE 4-1 | | DESIGN UNITS <input checked="" type="checkbox"/> mm <input type="checkbox"/> INCH | | PROJECTION <input type="checkbox"/> FIRST ANGLE <input checked="" type="checkbox"/> THIRD ANGLE | |
| DRAWN BY & DATE <i>S. Hoshikawa</i> | | TITLE: "MZP" B/B CONNECTOR 54457-1109 STICK PACKAGING | | | |
| CHECKED BY & DATE <i>A. Noda</i> | | APPROVED BY & DATE <i>A. Noda</i> | | | |
| CAD FILENAME SD-544570-19.S01 | | MATERIAL NO. SEE CHART | DRAWING NO. SD-54457-019 | SHEET NO. 1 OF 1 | |

| | | |
|-----|-------------|---------------------------------|
| REV | DESCRIPTION | MATERIAL 材料 |
| A | RELEASED | スティック：ポリ塩化ビニル STICK : P.V.C. |
| B | REVISED | FINISH 仕上げ |
| C | REVISED | WIRE RANGE 適用電線範囲 |
| | | INS. RANGE 被覆外径 |

DO NOT SCALE DRAWING

SD-54457-019.S01