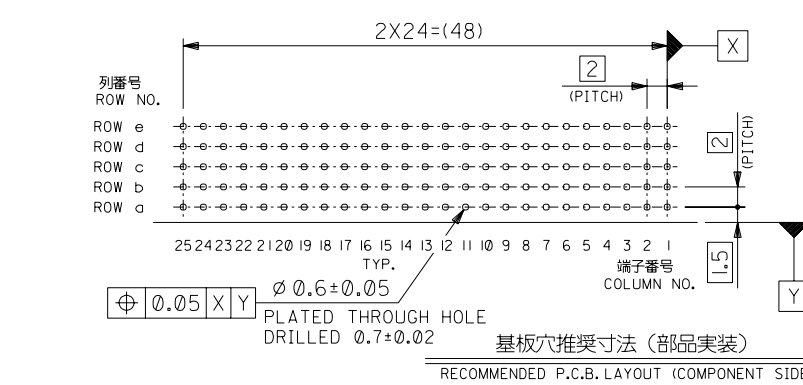
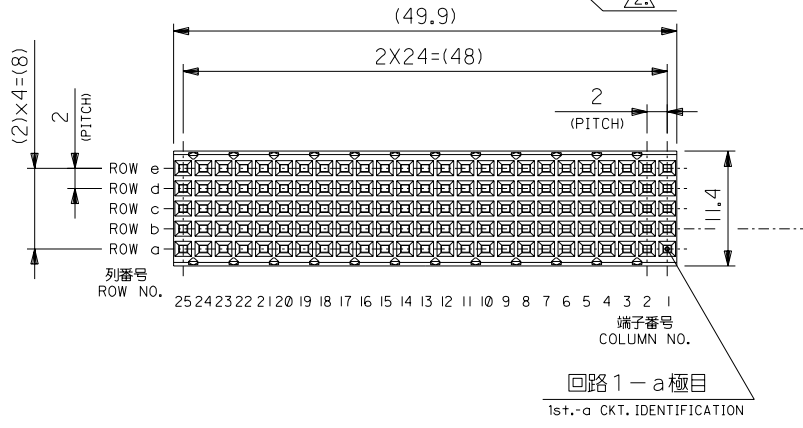
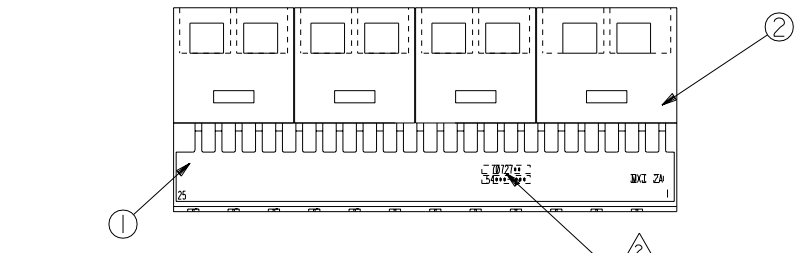
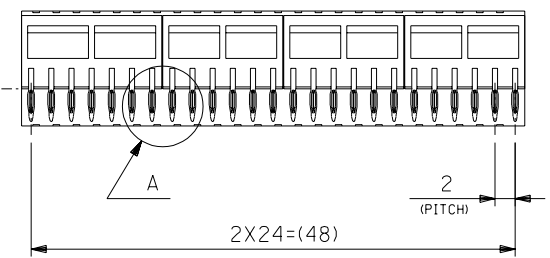
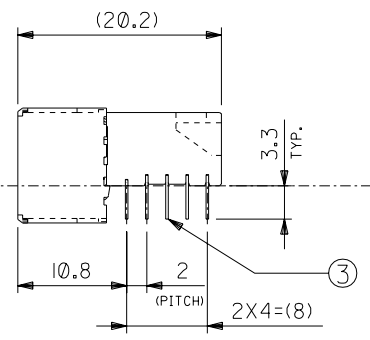


DWG. NO. SD-54457-002



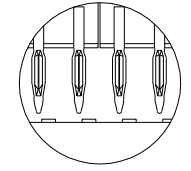
番号 No.	部品 PART NAME	材質 MATERIAL	仕上げ FINISH
①	リセプタクル ハウジング RECEPTACLE HOUSING	液晶ポリマー、ガラス充填、自然色(白)、UL94V-0 LCP, GLASS FILLED, NATURAL(WHITE), UL94V-0	—
②	リセプタクル カバー RECEPTACLE COVER	液晶ポリマー、ガラス充填、自然色(白)、UL94V-0 LCP, GLASS FILLED, NATURAL(WHITE), UL94V-0	—
③	リセプタクル ターミナル RECEPTACLE TERMINAL	りん青銅 PHOSHOR BRONZE	△1



注記  
NOTES

- △1 ターミナルめっき仕様  
TERMINAL PLATING  
金めっき: 0.8 μm MIN. (接点部)  
GOLD: 0.8 μm MIN. (CONTACT AREA)  
半田めっき: 0.5 μm MIN. (プレスフィット部)  
TIN-LEAD: 0.5 μm MIN. (PRESS-FIT AREA)  
ニッケルめっき: 1.3 μm MIN. (下地めっき)  
NICKEL: 1.3 μm MIN. (UNDER PLATING)
- △2 製品番号及びロットナンバー  
MATERIAL NO. & LOT NO.

PRESS-FIT TAIL

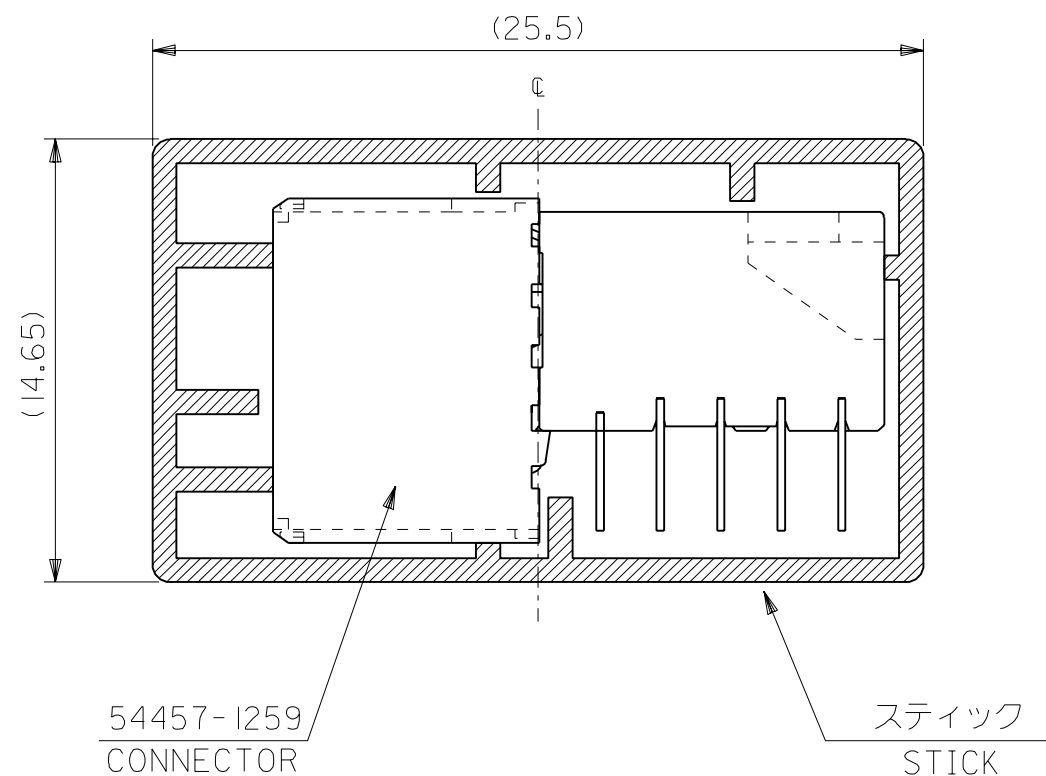


DETAIL A  
(SCALE:4-1)

DO NOT SCALE DRAWING

EC NO.	DRWN:	CHK:	APPR:	REV	MATERIAL	GENERAL TOLERANCES:	SCALE	DESIGN UNITS	THIRD ANGLE	TITLE:	SHT	REV	
EC NO. J2002-2423	DRWN: S.ANDO	CHK: A.NODA	APPR: A.NODA	REVISED	—	(UNLESS SPECIFIED)	2-1	mm	PROJECTION	"M2P" B/B CONN. RECEPTACLE R/A ASS'Y TYPE B	125	1	
EC NO. JD2000-1248	DRWN: S.HOSIKAWA	CHK: A.NODA	APPR: H.IKESUGI	RELEASED	—	10 UNDER 未満 ±0.2		mm		MOLEX MOLEX INCORPORATED	54457-1259	125	
EC NO. S.HOSIKAWA	DRWN: S.HOSIKAWA	CHK: A.NODA	APPR: H.IKESUGI	RELEASED	—	10 OVER 30 UNDER 未満 ±0.25		mm			MODEL NO.	54457-1259	125
EC NO. JD2000-0529	DRWN: S.HOSIKAWA	CHK: A.NODA	APPR: H.IKESUGI	RELEASED	—	30 OVER 以上 ±0.3		mm			MATERIAL NO.	54457-1259	125
EC NO. S.HOSIKAWA	DRWN: S.HOSIKAWA	CHK: A.NODA	APPR: H.IKESUGI	RELEASED	—	ANGLE 角度 ±3°		mm		DRAWING NO.	SD-54457-002	1 OF 1	
EC NO. S.HOSIKAWA	DRWN: S.HOSIKAWA	CHK: A.NODA	APPR: H.IKESUGI	RELEASED	—			mm		MATERIAL NO.	54457-1259	125	
EC NO. S.HOSIKAWA	DRWN: S.HOSIKAWA	CHK: A.NODA	APPR: H.IKESUGI	RELEASED	—			mm		DRAWING NO.	SD-54457-002	1 OF 1	
EC NO. S.HOSIKAWA	DRWN: S.HOSIKAWA	CHK: A.NODA	APPR: H.IKESUGI	RELEASED	—			mm		MATERIAL NO.	54457-1259	125	
EC NO. S.HOSIKAWA	DRWN: S.HOSIKAWA	CHK: A.NODA	APPR: H.IKESUGI	RELEASED	—			mm		DRAWING NO.	SD-54457-002	1 OF 1	
EC NO. S.HOSIKAWA	DRWN: S.HOSIKAWA	CHK: A.NODA	APPR: H.IKESUGI	RELEASED	—			mm		MATERIAL NO.	54457-1259	125	
EC NO. S.HOSIKAWA	DRWN: S.HOSIKAWA	CHK: A.NODA	APPR: H.IKESUGI	RELEASED	—			mm		DRAWING NO.	SD-54457-002	1 OF 1	
EC NO. S.HOSIKAWA	DRWN: S.HOSIKAWA	CHK: A.NODA	APPR: H.IKESUGI	RELEASED	—			mm		MATERIAL NO.	54457-1259	125	
EC NO. S.HOSIKAWA	DRWN: S.HOSIKAWA	CHK: A.NODA	APPR: H.IKESUGI	RELEASED	—			mm		DRAWING NO.	SD-54457-002	1 OF 1	
EC NO. S.HOSIKAWA	DRWN: S.HOSIKAWA	CHK: A.NODA	APPR: H.IKESUGI	RELEASED	—			mm		MATERIAL NO.	54457-1259	125	
EC NO. S.HOSIKAWA	DRWN: S.HOSIKAWA	CHK: A.NODA	APPR: H.IKESUGI	RELEASED	—			mm		DRAWING NO.	SD-54457-002	1 OF 1	
EC NO. S.HOSIKAWA	DRWN: S.HOSIKAWA	CHK: A.NODA	APPR: H.IKESUGI	RELEASED	—			mm		MATERIAL NO.	54457-1259	125	
EC NO. S.HOSIKAWA	DRWN: S.HOSIKAWA	CHK: A.NODA	APPR: H.IKESUGI	RELEASED	—			mm		DRAWING NO.	SD-54457-002	1 OF 1	
EC NO. S.HOSIKAWA	DRWN: S.HOSIKAWA	CHK: A.NODA	APPR: H.IKESUGI	RELEASED	—			mm		MATERIAL NO.	54457-1259	125	
EC NO. S.HOSIKAWA	DRWN: S.HOSIKAWA	CHK: A.NODA	APPR: H.IKESUGI	RELEASED	—			mm		DRAWING NO.	SD-54457-002	1 OF 1	
EC NO. S.HOSIKAWA	DRWN: S.HOSIKAWA	CHK: A.NODA	APPR: H.IKESUGI	RELEASED	—			mm		MATERIAL NO.	54457-1259	125	
EC NO. S.HOSIKAWA	DRWN: S.HOSIKAWA	CHK: A.NODA	APPR: H.IKESUGI	RELEASED	—			mm		DRAWING NO.	SD-54457-002	1 OF 1	
EC NO. S.HOSIKAWA	DRWN: S.HOSIKAWA	CHK: A.NODA	APPR: H.IKESUGI	RELEASED	—			mm		MATERIAL NO.	54457-1259	125	
EC NO. S.HOSIKAWA	DRWN: S.HOSIKAWA	CHK: A.NODA	APPR: H.IKESUGI	RELEASED	—			mm		DRAWING NO.	SD-54457-002	1 OF 1	
EC NO. S.HOSIKAWA	DRWN: S.HOSIKAWA	CHK: A.NODA	APPR: H.IKESUGI	RELEASED	—			mm		MATERIAL NO.	54457-1259	125	
EC NO. S.HOSIKAWA	DRWN: S.HOSIKAWA	CHK: A.NODA	APPR: H.IKESUGI	RELEASED	—			mm		DRAWING NO.	SD-54457-002	1 OF 1	
EC NO. S.HOSIKAWA	DRWN: S.HOSIKAWA	CHK: A.NODA	APPR: H.IKESUGI	RELEASED	—			mm		MATERIAL NO.	54457-1259	125	
EC NO. S.HOSIKAWA	DRWN: S.HOSIKAWA	CHK: A.NODA	APPR: H.IKESUGI	RELEASED	—			mm		DRAWING NO.	SD-54457-002	1 OF 1	
EC NO. S.HOSIKAWA	DRWN: S.HOSIKAWA	CHK: A.NODA	APPR: H.IKESUGI	RELEASED	—			mm		MATERIAL NO.	54457-1259	125	
EC NO. S.HOSIKAWA	DRWN: S.HOSIKAWA	CHK: A.NODA	APPR: H.IKESUGI	RELEASED	—			mm		DRAWING NO.	SD-54457-002	1 OF 1	
EC NO. S.HOSIKAWA	DRWN: S.HOSIKAWA	CHK: A.NODA	APPR: H.IKESUGI	RELEASED	—			mm		MATERIAL NO.	54457-1259	125	
EC NO. S.HOSIKAWA	DRWN: S.HOSIKAWA	CHK: A.NODA	APPR: H.IKESUGI	RELEASED	—			mm		DRAWING NO.	SD-54457-002	1 OF 1	
EC NO. S.HOSIKAWA	DRWN: S.HOSIKAWA	CHK: A.NODA	APPR: H.IKESUGI	RELEASED	—			mm		MATERIAL NO.	54457-1259	125	
EC NO. S.HOSIKAWA	DRWN: S.HOSIKAWA	CHK: A.NODA	APPR: H.IKESUGI	RELEASED	—			mm		DRAWING NO.	SD-54457-002	1 OF 1	
EC NO. S.HOSIKAWA	DRWN: S.HOSIKAWA	CHK: A.NODA	APPR: H.IKESUGI	RELEASED	—			mm		MATERIAL NO.	54457-1259	125	
EC NO. S.HOSIKAWA	DRWN: S.HOSIKAWA	CHK: A.NODA	APPR: H.IKESUGI	RELEASED	—			mm		DRAWING NO.	SD-54457-002	1 OF 1	
EC NO. S.HOSIKAWA	DRWN: S.HOSIKAWA	CHK: A.NODA	APPR: H.IKESUGI	RELEASED	—			mm		MATERIAL NO.	54457-1259	125	
EC NO. S.HOSIKAWA	DRWN: S.HOSIKAWA	CHK: A.NODA	APPR: H.IKESUGI	RELEASED	—			mm		DRAWING NO.	SD-54457-002	1 OF 1	
EC NO. S.HOSIKAWA	DRWN: S.HOSIKAWA	CHK: A.NODA	APPR: H.IKESUGI	RELEASED	—			mm		MATERIAL NO.	54457-1259	125	
EC NO. S.HOSIKAWA	DRWN: S.HOSIKAWA	CHK: A.NODA	APPR: H.IKESUGI	RELEASED	—			mm		DRAWING NO.	SD-54457-002	1 OF 1	
EC NO. S.HOSIKAWA	DRWN: S.HOSIKAWA	CHK: A.NODA	APPR: H.IKESUGI	RELEASED	—			mm		MATERIAL NO.	54457-1259	125	
EC NO. S.HOSIKAWA	DRWN: S.HOSIKAWA	CHK: A.NODA	APPR: H.IKESUGI	RELEASED	—			mm		DRAWING NO.	SD-54457-002	1 OF 1	
EC NO. S.HOSIKAWA	DRWN: S.HOSIKAWA	CHK: A.NODA	APPR: H.IKESUGI	RELEASED	—			mm		MATERIAL NO.	54457-1259	125	
EC NO. S.HOSIKAWA	DRWN: S.HOSIKAWA	CHK: A.NODA	APPR: H.IKESUGI	RELEASED	—			mm		DRAWING NO.	SD-54457-002	1 OF 1	
EC NO. S.HOSIKAWA	DRWN: S.HOSIKAWA	CHK: A.NODA	APPR: H.IKESUGI	RELEASED	—			mm		MATERIAL NO.	54457-1259	125	
EC NO. S.HOSIKAWA	DRWN: S.HOSIKAWA	CHK: A.NODA	APPR: H.IKESUGI	RELEASED	—			mm		DRAWING NO.	SD-54457-002	1 OF 1	
EC NO. S.HOSIKAWA	DRWN: S.HOSIKAWA	CHK: A.NODA	APPR: H.IKESUGI	RELEASED	—			mm		MATERIAL NO.	54457-1259	125	
EC NO. S.HOSIKAWA	DRWN: S.HOSIKAWA	CHK: A.NODA	APPR: H.IKESUGI	RELEASED	—			mm		DRAWING NO.	SD-54457-002	1 OF 1	
EC NO. S.HOSIKAWA	DRWN: S.HOSIKAWA	CHK: A.NODA	APPR: H.IKESUGI	RELEASED	—			mm		MATERIAL NO.	54457-1259	125	
EC NO. S.HOSIKAWA	DRWN: S.HOSIKAWA	CHK: A.NODA	APPR: H.IKESUGI	RELEASED	—			mm		DRAWING NO.	SD-54457-002	1 OF 1	
EC NO. S.HOSIKAWA	DRWN: S.HOSIKAWA	CHK: A.NODA	APPR: H.IKESUGI	RELEASED	—			mm		MATERIAL NO.	54457-1259	125	
EC NO. S.HOSIKAWA	DRWN: S.HOSIKAWA	CHK: A.NODA	APPR: H.IKESUGI	RELEASED	—			mm		DRAWING NO.	SD-54457-002	1 OF 1	
EC NO. S.HOSIKAWA	DRWN: S.HOSIKAWA	CHK: A.NODA	APPR: H.IKESUGI	RELEASED	—			mm		MATERIAL NO.	54457-1259	125	
EC NO. S.HOSIKAWA	DRWN: S.HOSIKAWA	CHK: A.NODA	APPR: H.IKESUGI	RELEASED	—			mm		DRAWING NO.	SD-54457-002	1 OF 1	
EC NO. S.HOSIKAWA	DRWN: S.HOSIKAWA	CHK: A.NODA	APPR: H.IKESUGI	RELEASED	—			mm		MATERIAL NO.	54457-1259	125	
EC NO. S.HOSIKAWA	DRWN: S.HOSIKAWA	CHK: A.NODA	APPR: H.IKESUGI	RELEASED	—			mm		DRAWING NO.	SD-54457-002	1 OF 1	
EC NO. S.HOSIKAWA	DRWN: S.HOSIKAWA	CHK: A.NODA	APPR: H.IKESUGI	RELEASED	—			mm		MATERIAL NO.	54457-1259	125	
EC NO. S.HOSIKAWA	DRWN: S.HOSIKAWA	CHK: A.NODA	APPR: H.IKESUGI	RELEASED	—			mm		DRAWING NO.	SD-54457-002	1 OF 1	
EC NO. S.HOSIKAWA	DRWN: S.HOSIKAWA	CHK: A.NODA	APPR: H.IKESUGI	RELEASED	—			mm		MATERIAL NO.	54457-1259	125	
EC NO. S.HOSIKAWA	DRWN: S.HOSIKAWA	CHK: A.NODA	APPR: H.IKESUGI	RELEASED	—			mm		DRAWING NO.	SD-54457-002	1 OF 1	
EC NO. S.HOSIKAWA	DRWN: S.HOSIKAWA	CHK: A.NODA	APPR: H.IKESUGI	RELEASED	—			mm		MATERIAL NO.	54457-1259	125	
EC NO. S.HOSIKAWA	DRWN: S.HOSIKAWA	CHK: A.NODA	APPR: H.IKESUGI	RELEASED	—			mm		DRAWING NO.	SD-54457-002	1 OF 1	
EC NO. S.HOSIKAWA	DRWN: S.HOSIKAWA	CHK: A.NODA	APPR: H.IKESUGI	RELEASED	—			mm		MATERIAL NO.	54457-1259	125	
EC NO. S.HOSIKAWA	DRWN: S.HOSIKAWA	CHK: A.NODA	APPR: H.IKESUGI	RELEASED	—			mm		DRAWING NO.	SD-54457-002	1 OF 1	
EC NO. S.HOSIKAWA	DRWN: S.HOSIKAWA	CHK: A.NODA	APPR: H.IKESUGI	RELEASED	—			mm		MATERIAL NO.	54457-1259	125	
EC NO. S.HOSIKAWA	DRWN: S.HOSIKAWA	CHK: A.NODA	APPR: H.IKESUGI	RELEASED	—			mm		DRAWING NO.	SD-54457-002	1 OF 1	
EC NO. S.HOSIKAWA	DRWN: S.HOSIKAWA	CHK: A.NODA	APPR: H.IKESUGI	RELEASED	—			mm		MATERIAL NO.	54457-1259	125	
EC NO. S.HOSIKAWA	DRWN: S.HOSIKAWA	CHK: A.NODA	APPR: H.IKESUGI	RELEASED	—			mm		DRAWING NO.	SD-54457-002	1 OF 1	
EC NO. S.HOSIKAWA	DRWN: S.HOSIKAWA	CHK: A.NODA	APPR: H.IKESUGI	RELEASED	—			mm		MATERIAL NO.	54457-1259	125	
EC NO. S.HOSIKAWA	DRWN: S.HOSIKAWA	CHK: A.NODA	APPR: H.IKESUGI	RELEASED	—			mm		DRAWING NO.	SD-54457-002	1 OF 1	
EC NO. S.HOSIKAWA	DRWN: S.HOSIKAWA	CHK: A.NODA	APPR: H.IKESUGI	RELEASED	—			mm		MATERIAL NO.	54457-1259	125	
EC NO. S.HOSIKAWA	DRWN: S.HOSIKAWA	CHK: A.NODA	APPR: H.IKESUGI	RELEASED	—			mm		DRAWING NO.	SD-54457-002	1 OF 1	
EC NO. S.HOSIKAWA	DRWN: S.HOSIKAWA	CHK: A.NODA	APPR: H.IKESUGI	RELEASED	—			mm		MATERIAL NO.	54457-1259	125	
EC NO. S.HOSIKAWA	DRWN: S.HOSIKAWA	CHK: A.NODA	APPR: H.IKESUGI	RELEASED	—			mm		DRAWING NO.	SD-54457-002	1 OF 1	
EC NO. S.HOSIKAWA	DRWN: S.HOSIKAWA	CHK: A.NODA	APPR: H.IKESUGI	RELEASED	—			mm		MATERIAL NO.	54457-1259	125	
EC NO. S.HOSIKAWA	DRWN: S.HOSIKAWA	CHK: A.NODA	APPR: H.IKESUGI	RELEASED	—			mm		DRAWING NO.	SD-54457-002	1 OF 1	
EC NO. S.HOSIKAWA	DRWN: S.HOSIKAWA	CHK: A.NODA	APPR: H.IKESUGI	RELEASED	—			mm		MATERIAL NO.	54457-1259	125	
EC NO. S.HOSIKAWA	DRWN: S.HOSIKAWA	CHK: A.NODA	APPR: H.IKESUGI	RELEASED	—			mm		DRAWING NO.	SD-54457-002	1 OF 1	
EC NO. S.HOSIKAWA	DRWN: S.HOSIKAWA	CHK: A.NODA	APPR: H.IKESUGI	RELEASED	—			mm		MATERIAL NO.	54457-1259	125	
EC NO. S.HOSIKAWA	DRWN: S.HOSIKAWA	CHK: A.NODA	APPR: H.IKESUGI	RELEASED	—			mm		DRAWING NO.	SD-54457-002	1 OF 1	
EC													

DWG. NO.  
SD-54457-020



注記  
NOTES

1. スティック両端はテープ止め。  
BOTH ENDS WITH TAPES.
2. 全長：600±2mm  
TOTAL LENGTH：600±2mm
3. 肉厚：0.8±0.2mm  
THICKNESS：0.8±0.2mm

II	54457-1251	125
梱包数 QUANTITY	MATERIAL NO.	極数 PIN

MODEL NO. : 54457-1251		DIMENSIONS:		SHT	REV
SCALE 4-1		DESIGN UNITS <input checked="" type="checkbox"/> mm <input type="checkbox"/> INCH		PROJECTION <input type="checkbox"/> FIRST ANGLE <input checked="" type="checkbox"/> THIRD ANGLE	
DRAWN BY & DATE <i>S. Hoshikawa</i>		TITLE: "MZP" B/B CONNECTOR 54457-1259 STICK PACKAGING			
CHECKED BY & DATE <i>A. Noda</i>		APPROVED BY & DATE <i>A. Noda</i>			
CAD FILENAME SD-54457-020.S01		MATERIAL NO. SEE CHART	DRAWING NO. SD-54457-020	SHEET NO. 1 OF 1	

REV	DESCRIPTION	MATERIAL 材料
A	RELEASED JD2000-1248 DRWN: S.HOSHIKAWA '00/05/18 CH'K: A.NODA APPR: H.IKESUGI	スティック：ポリ塩化ビニル STICK : P.V.C.
B	REVISED JD2000-1274 DRWN: Y.ARITANI '00/05/25 CH'K: A.NODA APPR: H.IKESUGI	FINISH 仕上げ
C	REVISED JD2001-0854 DRWN: Y.HASEGAWA '00/12/19 CH'K: A.NODA APPR: H.IKESUGI	WIRE RANGE 適用電線範囲
		INS. RANGE 被覆外径

DO NOT SCALE DRAWING

SD-54457-020.S01