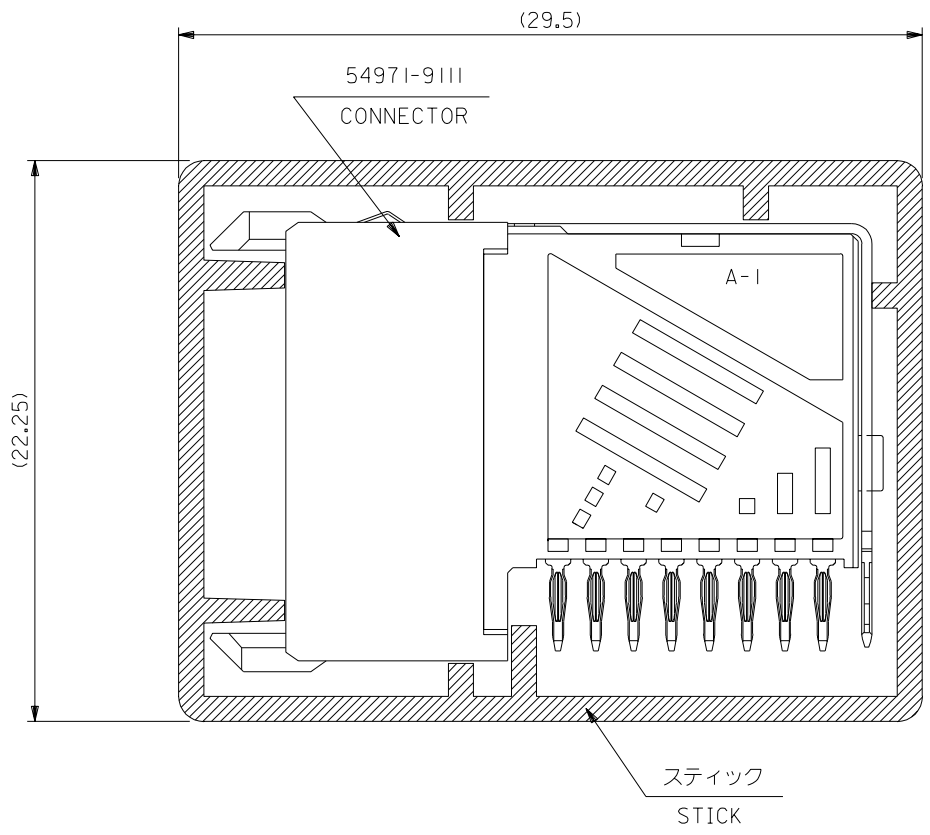


DWG. NO. SD-54971-031



注記
NOTES

1. スティック両端はテープ止め。
BOTH ENDS WITH TAPES.
2. 全長：560±2mm
TOTAL LENGTH : 560±2mm
3. 肉厚：1.0±0.2mm
THICKNESS : 1.0±0.2mm
4. コネクタ単体の詳細寸法については
REFER TO SHEET NO.2
SHEET NO.2 を参照のこと。
FOR CONNECTOR DETAIL.

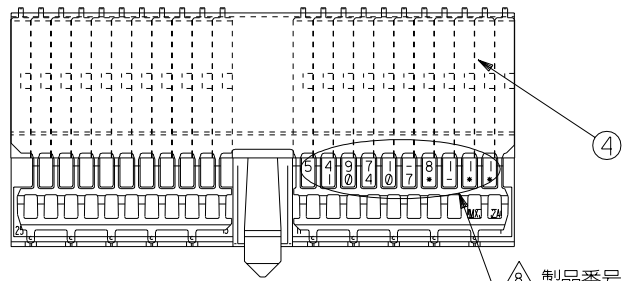
| | | | |
|-----------------|---------------|------------------------|-----------|
| II | 54971-9111 | 54971-9119 | 176 |
| 梱包数 QUANTITY | CONNECTOR NO. | MATERIAL NO. オーダー番号 | 極数 PIN |

DO NOT SCALE DRAWING

| | | | | | | | | | | | | | | | |
|----------------------------------|----------------------------------|----------------------------------|----------------------------------|----------------------------------|---|--|---|--------------------|---------------------------|-------------------------|--|--|---|---|------------------------------|
| EC NO. DRWN: CHK: APPR: | EC NO. DRWN: CHK: APPR: | EC NO. DRWN: CHK: APPR: | EC NO. DRWN: CHK: APPR: | EC NO. DRWN: CHK: APPR: | RELEASD EC NO. J2004-0855 DRWN: SHOSHIKAWA '03/07/15 CHK: A.NODA '03/07/15 APPR: A.NODA '03/07/15 | DESCRIPTION スティック:ポリ塩化ビニル STICK: PVC | MATERIAL 材料 スティック:ポリ塩化ビニル STICK: PVC | FINISH 仕上げ — | WIRE RANGE 適用線径範囲 — | INS. RANGE 被覆外径 — | GENERAL TOLERANCES: (UNLESS SPECIFIED) 一般公差 10 UNDER 未満 ±0.2 10 OVER 以上 30 UNDER 未満 ±0.25 30 OVER 以上 ±0.3 ANGLE 角度 ±3° | SCALE 5-1 DESIGN UNITS <input checked="" type="checkbox"/> mm <input type="checkbox"/> INCH THIRD ANGLE PROJECTION DRAWN BY & DATE Y.TETSUKA '01/07/11 CHECKED BY & DATE A.Noda '01/07/11 APPROVED BY & DATE A.Noda '01/07/11 CAD FILENAME SD-54971-031.S01 | TITLE: "MZP" B/B CONN. REC. R/A ASS'Y TYPE D WITH UPPER SHIELD STICK PACKAGING MOLEX INCORPORATED | DIMENSIONS: <input type="checkbox"/> mm <input type="checkbox"/> INCH <input checked="" type="checkbox"/> mm ONLY | SHT REVISE ON CAD ONLY |
| 8 | 7 | 6 | 5 | 4 | 3 | 2 | 1 | | | | | | | | |

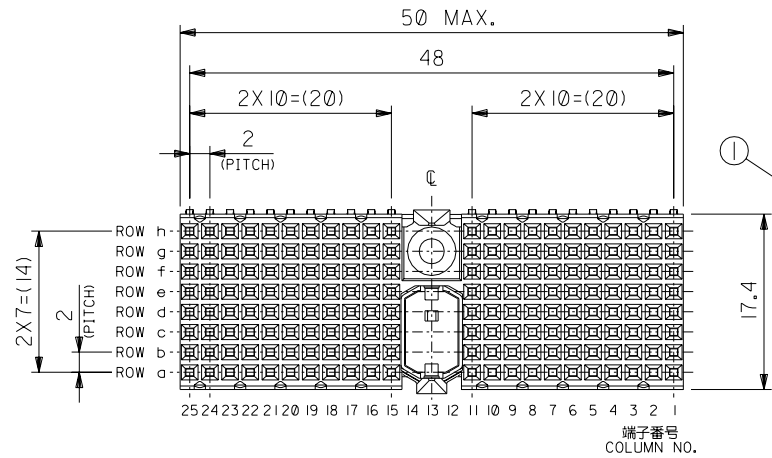
SD-54971-031 U.S.A.

DWG. NO. SD-54971-031

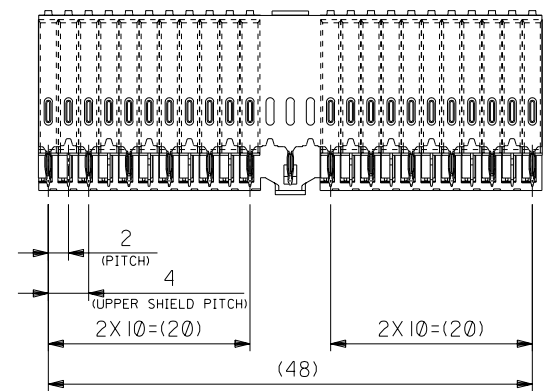
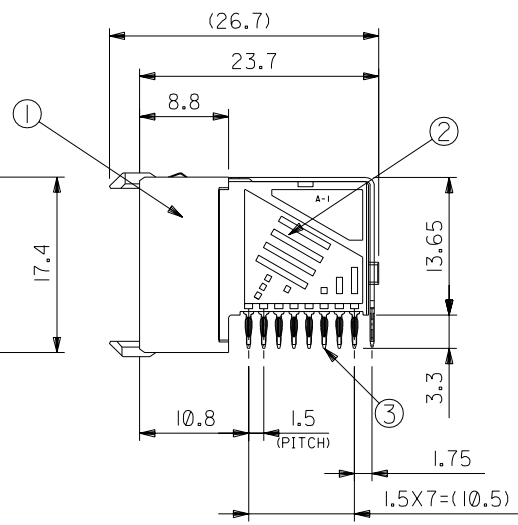


④ 製品番号・ロット番号
MATERIAL NO., LOT NO.

| 番号 NO. | 部品 PART NAME | 材質 MATERIAL | 仕上げ FINISH |
|-----------|---|---|---------------|
| ① | リセプタクル ハウジング RECEPTACLE HOUSING | 液晶ポリマー, ガラス充填, 自然色, UL94V-0 LCP GLASS FILLED, NATURAL, UL94V-0 | — |
| ② | モジュール MODULE | ポリエステル, ガラス充填, 灰色, UL94V-0 PBT GLASS FILLED, GRAY, UL94V-0 | — |
| ③ | リセプタクル ターミナル RECEPTACLE TERMINAL | リン青銅 PHOSPHOR BRONZE | ⑤ |
| ④ | リセプタクル アッパー シールド RECEPTACLE UPPER SHIELD | リン青銅 PHOSPHOR BRONZE | ⑥ |



端子番号
COLUMN NO.



DO NOT SCALE DRAWING

| FIG. NO. | FIG. NO. | FIG. NO. | FIG. NO. | FIG. NO. |
|----------|----------|----------|----------|----------|
| 64 | 63 | 62 | 61 | 60 |
| DRWN: | DRWN: | DRWN: | DRWN: | DRWN: |
| CHK: | CHK: | CHK: | CHK: | CHK: |
| APPR: | APPR: | APPR: | APPR: | APPR: |

SEE SHEET ONE

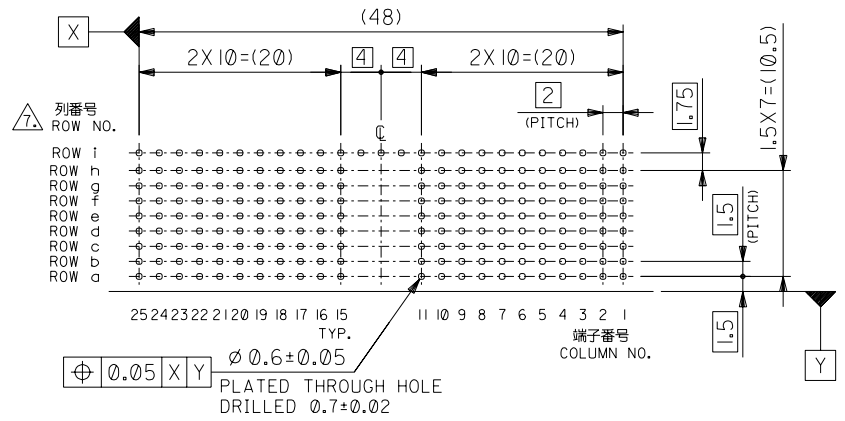
| DESCRIPTION | MATERIAL 材料 |
|----------------------|----------------|
| FINISH 仕上げ | SEE TABLE |
| WIRE RANGE 適用線径範囲 | — |
| INS. RANGE 被覆外径 | — |

| GENERAL TOLERANCES: (UNLESS SPECIFIED) 一般公差 | SCALE | DESIGN UNITS |
|---|-------|--|
| 10 UNDER 未満 | 2-1 | <input checked="" type="checkbox"/> mm <input type="checkbox"/> INCH |
| 10 OVER 30 UNDER 未満 | | |
| 30 OVER 以上 | | |
| ANGLE 角度 | | <input checked="" type="checkbox"/> mm <input type="checkbox"/> INCH |

| DIMENSIONS: | SHT | REV |
|---|-----|-----|
| <input type="checkbox"/> mm <input type="checkbox"/> INCH | 2 | 2 |
| <input checked="" type="checkbox"/> mm ONLY | | |

| TITLE: "MZP" B/B CONN. RECEPTACLE R/A ASS'Y TYPE D WITH UPPER SHIELD | | |
|--|---------------------------|-----------------------------|
| MOLEX INCORPORATED | | |
| CAD FILENAME SD-54971-031.S01 | MATERIAL NO. SEE TABLE | DRAWING NO. SD-54971-031 |
| DRAWN BY & DATE Y.TETSUKA '01/07/11 | | SHEET NO. 2 |
| CHECKED BY & DATE A.Noda '01/07/11 | | SIZE B |
| APPROVED BY & DATE A.Noda '01/07/11 | | |
| THIS DRAWING CONTAINS INFORMATION THAT IS PROPRIETARY TO MOLEX INCORPORATED AND SHOULD NOT BE USED WITHOUT WRITTEN PERMISSION. | | |

SD-54971-031 (USA)



基板穴推奨寸法 (部品実装)

RECOMMENDED P.C.B. LAYOUT (COMPONENT SIDE)

注記 NOTES

- 5. ターミナルめっき仕様
TERMINAL PLATING
金めっき: 0.8 μm MIN. (接点部)
GOLD: 0.8 μm MIN. (CONTACT AREA)
半田めっき: 0.5 μm MIN. (プレスフィット部)
TIN-LEAD: 0.5 μm MIN. (PRESS-FIT AREA)
ニッケルめっき: 1.3 μm MIN. (下地めっき)
NICKEL: 1.3 μm MIN. (UNDER PLATING)
- 6. シールドめっき仕様
SHIELD PLATING
金めっき (接点部)
GOLD (CONTACT AREA)
半田めっき (プレスフィット部)
TIN-LEAD (PRESS-FIT AREA)
ニッケルめっき (下地めっき)
NICKEL (UNDER PLATING)
- 7. i 列の奇数端子はアッパーシールドフレーム用基板穴。
i 列の偶数端子はローアッパーシールドフレーム用基板穴。
ODD NO. THROUGH HOLE OF ROW I FOR UPPER SHIELD.
EVEN NO. THROUGH HOLE OF ROW I FOR LOWER SHIELD.
- 8. 製品番号及びロットナンバー
MATERIAL NO. & LOT NO.
- 9. コネクタはスティック梱包とする。
CONNECTOR IS STICK PACKAGING.

| | | | | | | | |
|--|---------------|-------------------|-------------|---|------------------------------------|---|---|
| 264 NO. DRWN: CH'K: APPR: 263 NO. DRWN: CH'K: APPR: 262 NO. DRWN: CH'K: APPR: 261 NO. DRWN: CH'K: APPR: 260 NO. DRWN: CH'K: APPR: | SEE SHEET ONE | MATERIAL 材料 | SEE SHEET 2 | GENERAL TOLERANCES: (UNLESS SPECIFIED) 一般公差 | SCALE 2-1 | DESIGN UNITS <input checked="" type="checkbox"/> mm <input type="checkbox"/> INCH | DIMENSIONS: <input type="checkbox"/> mm <input type="checkbox"/> INCH <input checked="" type="checkbox"/> mm ONLY SHT 3 REV 3 BEYOND ANGLE PROJECTION TITLE: "MZP" B/B CONN. RECEPTACLE R/A ASS'Y TYPE D WITH UPPER SHIELD MOLEX INCORPORATED CAD FILENAME SD-54971-031.S03 MATERIAL NO. SEE TABLE DRAWING NO. SD-54971-031 SHEET NO. 3 SIZE B |
| | | FINISH 仕上げ | SEE SHEET 2 | 10 UNDER 未満 ±0.2 | DRAWN BY & DATE Y.TETSUKA 01/07/11 | | |
| | | WIRE RANGE 適用電線範囲 | # | 10 OVER 30 UNDER 以上 未満 ±0.25 | CHECKED BY & DATE A.No00 01/07/11 | | |
| | | INS. RANGE 被覆外径 | # | 30 OVER 以上 ±0.3 | APPROVED BY & DATE A.No00 01/07/11 | | |
| REV 0 | | DESCRIPTION | | ANGLE 角度 | ±3° | | |