

DWG. NO. SD-55501-004

F

E

D

C

B

DO NOT SCALE DRAWING

8 7 6 5 4 3 2 1

F

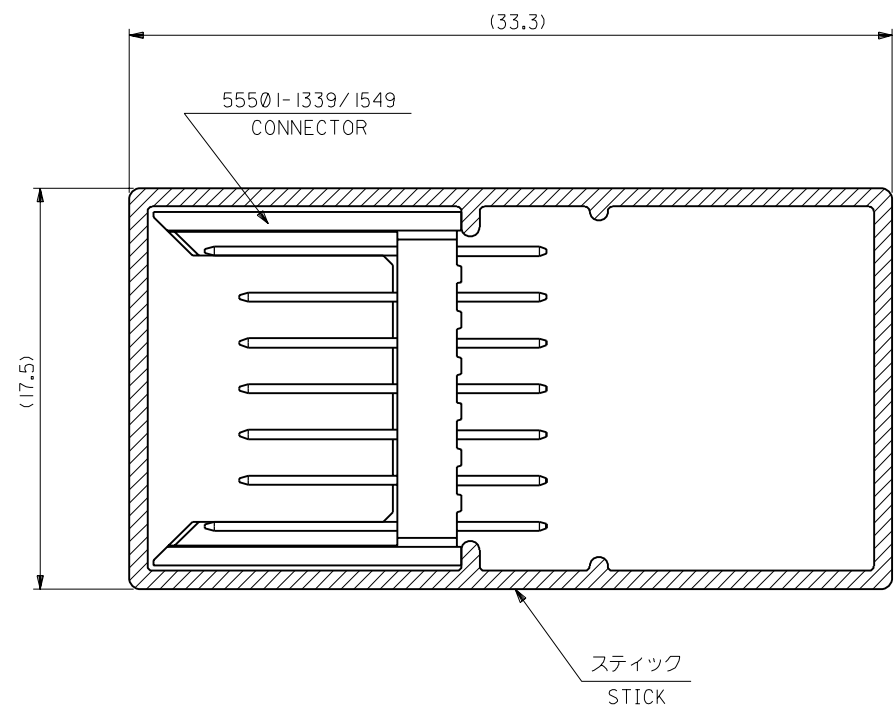
E

D

C

B

SD-55501-004-50A



注記
NOTES

1. スティック両端はテープ止め。
BOTH ENDS WITH TAPES.
2. 全長：600±2
TOTAL LENGTH: 600±2
3. 肉厚：0.8±0.2
THICKNESS: 0.8±0.2

13	55501-1549	55501-1541	154
15	55501-1339	55501-1331	133
梱包数 QUANTITY	CONNECTOR	MATERIAL NO.	極数 CKT. No.

EC NO. DRWN: CHK: APPR:	EC NO. DRWN: CHK: APPR:	EC NO. DRWN: CHK: APPR:	EC NO. DRWN: CHK: APPR:	EC NO. DRWN: CHK: APPR:	<p>RELEASED EC NO. JD2000-1027 DRWN: S. ANDO '00/04/11 CHK: A. NODA '00/04/11 APPR: H. IKESUGI '00/04/11</p>	<p>MATERIAL 材料 スティック: ポリ塩化ビニル STICK: PVC</p>	<p>GENERAL TOLERANCES: (UNLESS SPECIFIED) 一般公差</p> <table border="1"> <tr> <td>10 UNDER 未満</td> <td>±0.2</td> </tr> <tr> <td>10 OVER 以上</td> <td>±0.25</td> </tr> <tr> <td>30 OVER 以上</td> <td>±0.3</td> </tr> <tr> <td>ANGLE 角度</td> <td>±3°</td> </tr> </table>	10 UNDER 未満	±0.2	10 OVER 以上	±0.25	30 OVER 以上	±0.3	ANGLE 角度	±3°	<p>SCALE 5-1</p> <p>DESIGN UNITS <input checked="" type="checkbox"/> mm <input type="checkbox"/> INCH</p> <p>THIRD ANGLE PROJECTION</p> <p>DIMENSIONS: <input type="checkbox"/> mm <input type="checkbox"/> INCH <input checked="" type="checkbox"/> mm ONLY</p> <p>SHT 1 REV</p>	<p>TITLE: "MZP" B/B CONN. PLUG STRAIGHT ASS'Y COMPACT PCI P2/P3 STICK PACKAGING FOR 55501</p> <p>APPROVED BY & DATE A. Noda '00/03/30</p> <p>CAD FILENAME SD-55501-004.S01</p> <p>MATERIAL NO. SEE TABLE</p> <p>DRAWING NO. SD-55501-004</p> <p>SHEET NO. 1 OF 1</p> <p>SIZE B</p>
10 UNDER 未満	±0.2																
10 OVER 以上	±0.25																
30 OVER 以上	±0.3																
ANGLE 角度	±3°																
8	7	6	5	4	3	2	1										

THIS DRAWING CONTAINS INFORMATION THAT IS PROPRIETARY TO MOLEX INCORPORATED AND SHOULD NOT BE USED WITHOUT WRITTEN PERMISSION.