

DWG. NO. SD-55502-001

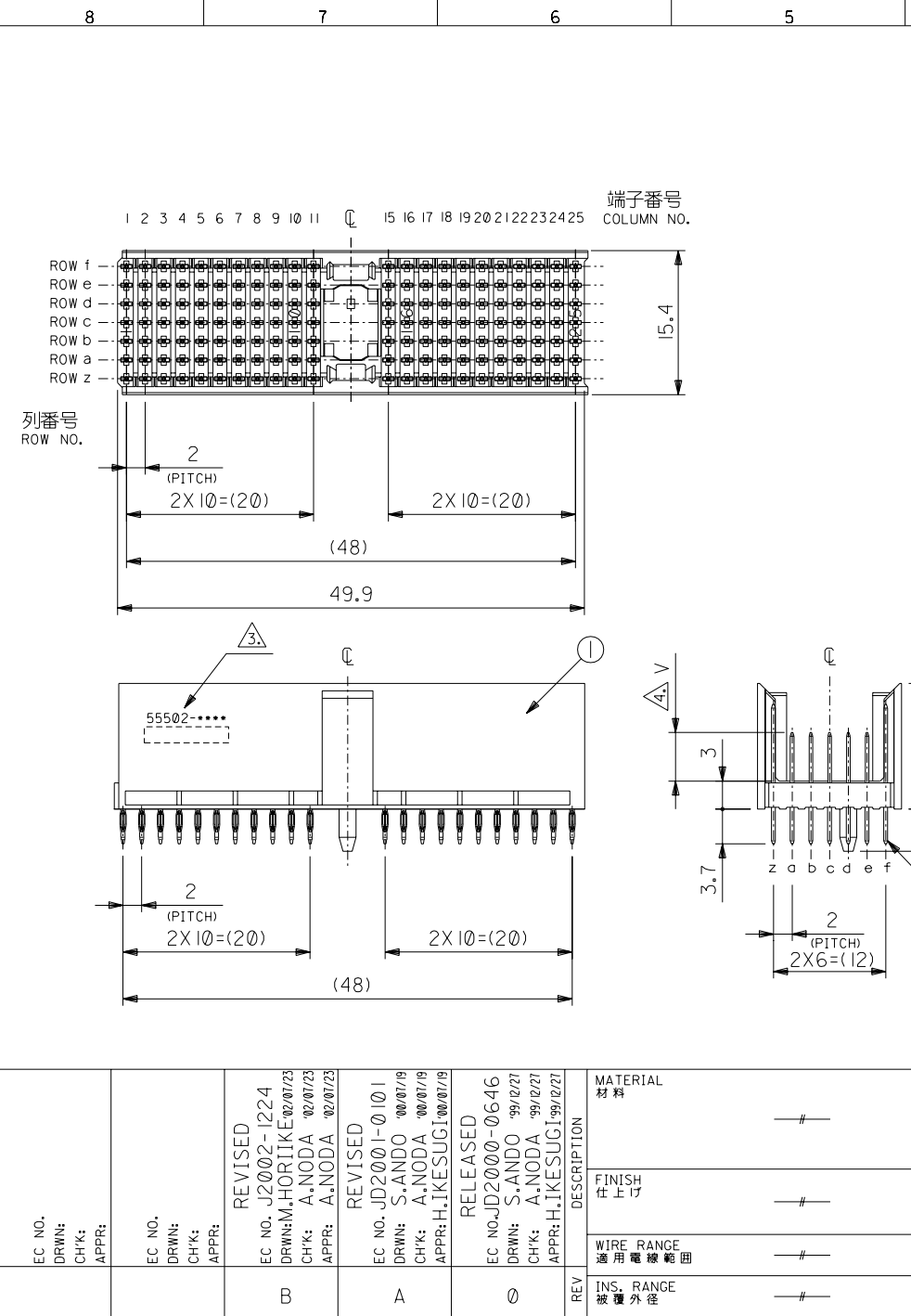
F

D

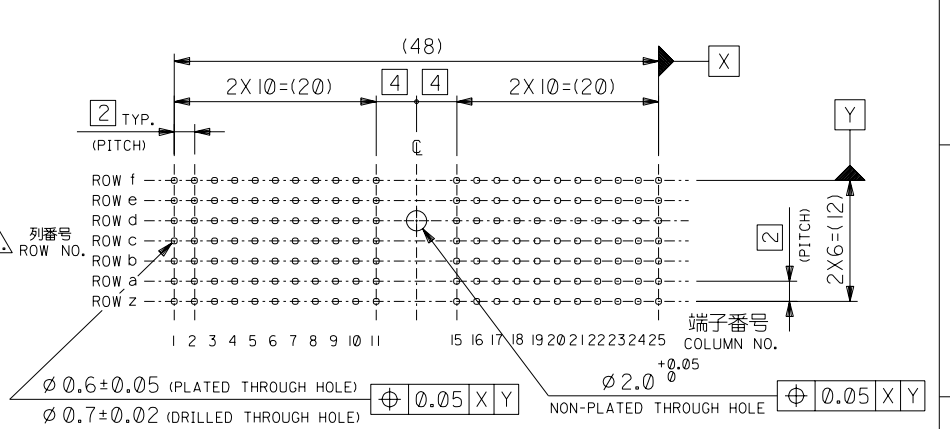
C

B

DO NOT SCALE DRAWING



番号 NO.	部品 PART NAME	材質 MATERIAL	仕上げ FINISH
①	プラグ ハウジング PLUG HOUSING	ポリエステル, ガラス充填, 灰色, UL94V-0 PBT GLASS FILLED, GRAY, UL94V-0	—
②	プラグ ピン PLUG PIN	リン青銅 PHOSPHOR BRONZE	△



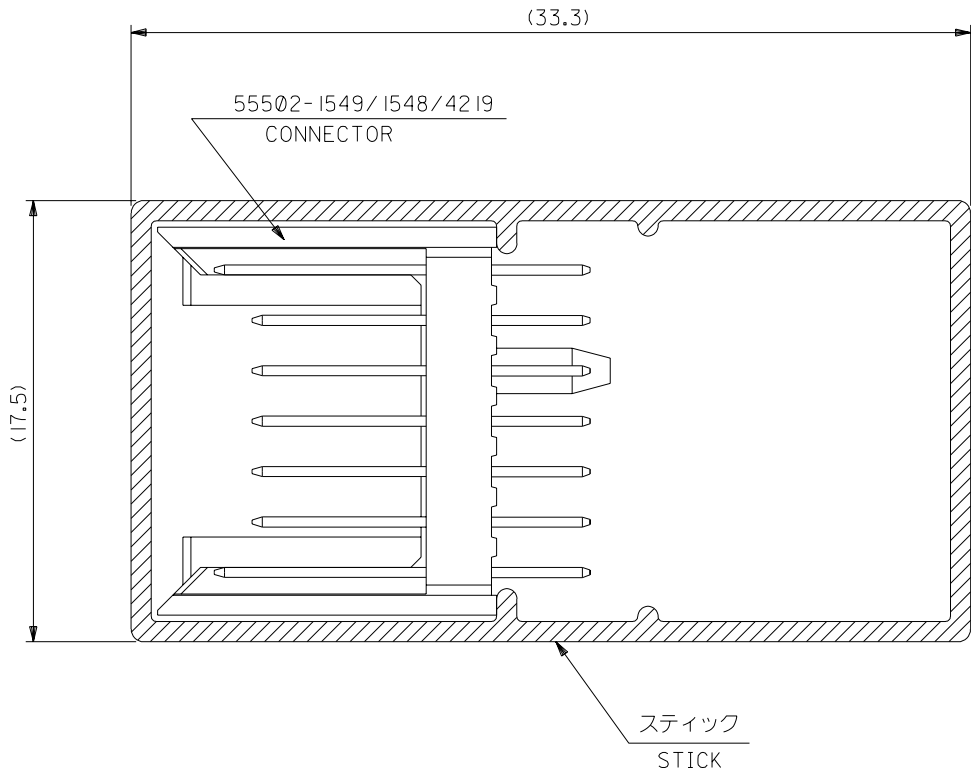
基板穴推奨寸法 (バックプレーン側)  
RECOMMENDED P.C.B. LAYOUT (BACKPLANE)

△	55502-4219	100
△	55502-1548	154
△	55502-1549	154
SEQUENCE	MATERIAL NO.	極数 PIN

GENERAL TOLERANCES: (UNLESS SPECIFIED) 一般公差	SCALE 2=1	DESIGN UNITS <input checked="" type="checkbox"/> mm <input type="checkbox"/> INCH	THIRD ANGLE PROJECTION	DIMENSIONS: <input type="checkbox"/> mm <input type="checkbox"/> INCH <input checked="" type="checkbox"/> mm ONLY	SHT REV
10 UNDER 未満	±0.2	DRAWN BY & DATE S. Ando '99/12/27	TITLE: "MZP" B/B CONN. PLUG STRAIGHT ASS'Y TYPE A (CPCI PI)		
10 OVER 以上	±0.25	CHECKED BY & DATE A. Noda '99/12/27	<b>MOLEX INCORPORATED</b>		
30 OVER 以上	±0.3	APPROVED BY & DATE H. Ando '99/12/27	MATERIAL NO. SEE TABLE	DRAWING NO. SD-55502-001	SHEET NO. 1 OF 2
ANGLE 角度	±3°	CAD FILENAME SD-55502-001.S01			SIZE B
THIS DRAWING CONTAINS INFORMATION THAT IS PROPRIETARY TO MOLEX INCORPORATED AND SHOULD NOT BE USED WITHOUT WRITTEN PERMISSION.					



DWG. NO. SD-55502-004



注記  
NOTES

1. スティック両端はテープ止め。  
BOTH ENDS WITH TAPES.
2. 全長：600±2  
TOTAL LENGTH: 600±2
3. 肉厚：0.8±0.2  
THICKNESS: 0.8±0.2

II	55502-4219	55502-4211	100
II	55502-1548	55502-1542	154
II	55502-1549	55502-1541	154
梱包数 QUANTITY	CONNECTOR	MATERIAL NO.	極数 PIN

DO NOT SCALE DRAWING

EC NO. DRWN: CHK: APPR:	EC NO. DRWN: CHK: APPR:	EC NO. DRWN: CHK: APPR:	REVISED EC NO. J2002-1224 DRWN:M.HORIIKE 02/07/23 CHK: A.NODA 02/07/23 APPR: A.NODA 02/07/23	RELEASED EC NO. JD2001-0101 DRWN: S.ANDO 00/07/19 CHK: A.NODA 00/07/19 APPR: H.IKESUGI 00/07/19
A				

MATERIAL 材料 スティック：ポリ塩化ビニル STICK: PVC	FINISH 仕上げ —	WIRE RANGE 適用線径範囲 —	INS. RANGE 被覆外径 —
---	--------------------	---------------------------	-------------------------

GENERAL TOLERANCES: (UNLESS SPECIFIED) 一般公差	SCALE 5-1	DESIGN UNITS <input checked="" type="checkbox"/> mm <input type="checkbox"/> INCH	THIRD ANGLE PROJECTION <input checked="" type="checkbox"/> mm <input type="checkbox"/> INCH
10 UNDER 未満	±0.2	DRAWN BY & DATE S. Ando '00/07/19	TITLE: "MZP" B/B CONN. PLUG STRAIGHT ASS'Y TYPE A CPCI PI SHORT TAIL STICK PACKAGING FOR 55501-1549/1548
10 OVER 以上	±0.25	CHECKED BY & DATE A. Noda '00/07/19	MOLEX INCORPORATED
30 OVER 以上	±0.3	APPROVED BY & DATE S. Ando '00/07/19	MATERIAL NO. SEE TABLE
ANGLE 角度	±3°	CAD FILENAME SD-55502-004.S01	DRAWING NO. SD-55502-004

SHT	REV	REVISIONS
1	0	
THIS DRAWING CONTAINS INFORMATION THAT IS PROPRIETARY TO MOLEX INCORPORATED AND SHOULD NOT BE USED WITHOUT WRITTEN PERMISSION.		
SIZE B	1 OF 1	