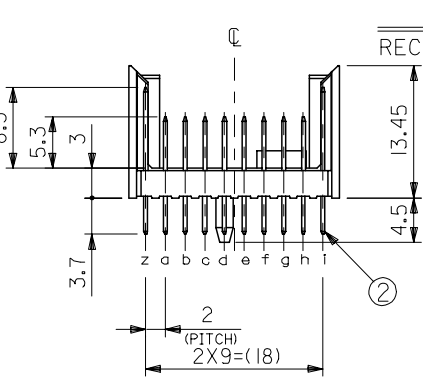
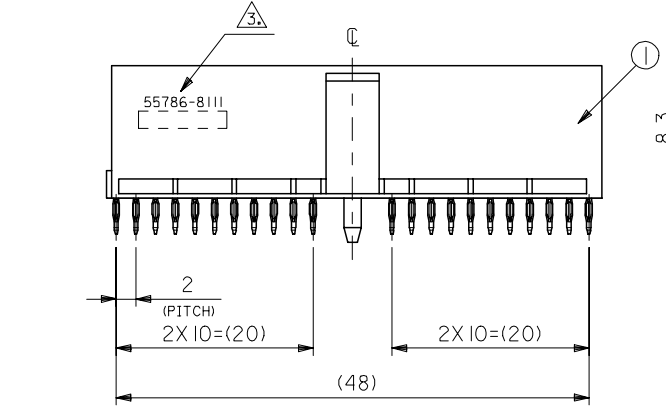
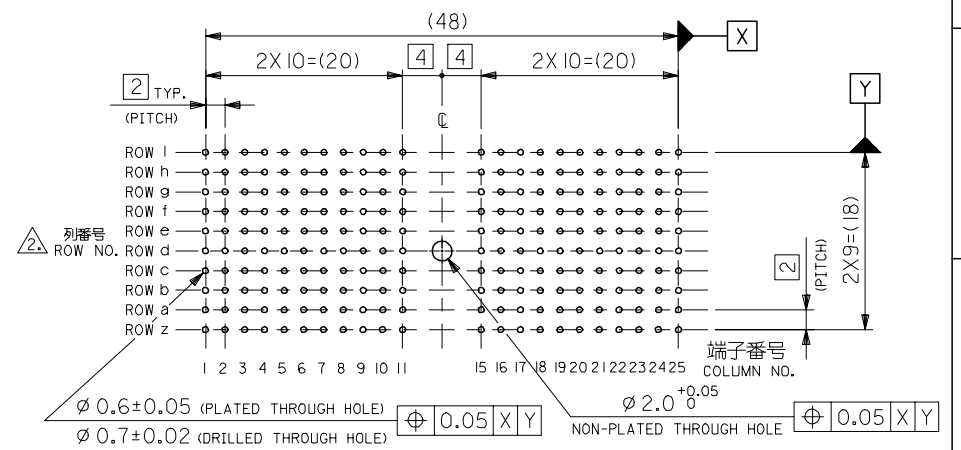
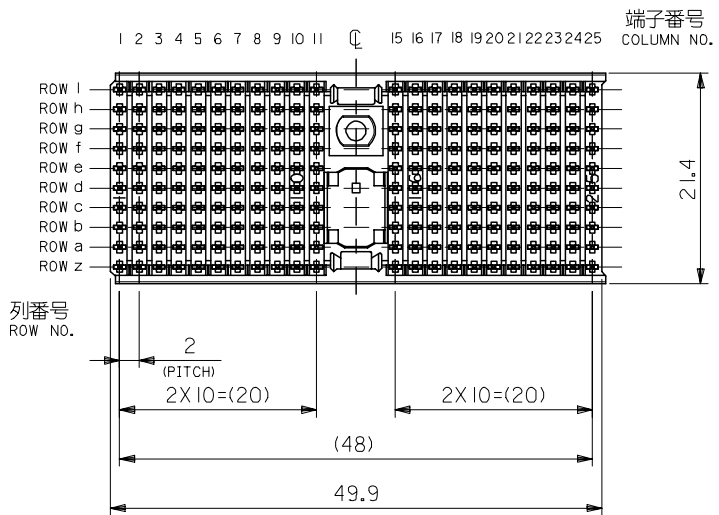


10 9 8 7 6 5 4 3 2 1

番号 NO.	部品 PART NAME	材質 MATERIAL	仕上げ FINISH
①	プラグハウジング PLUG HOUSING	ポリエステル, ガラス充填, 灰色, UL94V-0 PBT GLASS FILLED, GRAY, UL94V-0	—
②	プラグピン PLUG PIN	リン青銅 PHOSPHOR BRONZE	△



基板穴推奨寸法 (バックプレーン側)
RECOMMENDED P.C.B. LAYOUT (BACKPLANE)
推奨基板厚: 1.4~5.6mm
RECOMMENDED P.C.B. THICKNESS: 1.4~5.6mm

- 注記
NOTES
- △ ターミナルめっき仕様
TERMINAL PLATING
接点部: 金めっき 0.8 μm MIN.
CONTACT AREA: GOLD 0.8 μm MIN.
下地: ニッケルめっき 1.3 μm MIN.
UNDER PLATING: NICKEL 1.3 μm MIN.
 - ② I列及びz列はシールドフレーム用基板穴。
THROUGH HOLE OF ROW I AND ROW z FOR SHIELDING FRAME.
 - ③ 製品番号及びロットナンバー
MATERIAL NO. & LOT NO.

55786-8111	220
MATERIAL NO.	極数 PIN

RELEASED EC NO: J2006-0096 DRWNG: SHOSHIKAWA 2005/07/08 CHK'D: SHOSHIKAWA 2005/07/08 APPR: MYAGI 2005/07/11	GENERAL TOLERANCES (UNLESS SPECIFIED)		DIMENSION STYLE MM ONLY		SCALE 2:1	DESIGN UNITS METRIC	THIRD ANGLE PROJECTION	
	10 UNDER	±0.2	DRAWN BY SHOSHIKAWA	DATE 05/07/07	TITLE MZP B/B CONN. PLUG S/T ASSY TYPE D 10ROW SHORT			
	10 OVER 30 UNDER	±0.25	CHECKED BY MYAGI	DATE 05/07/07				
	30 OVER	±0.3	APPROVED BY MYAGI	DATE 05/07/07	MOLEX INCORPORATED			
	ANGULAR	±3 °	MATERIAL NO.	DOCUMENT NO. SD-55786-001				
0	DESCRIPTION	DRAFT WHERE APPLICABLE MUST REMAIN WITHIN DIMENSIONS		SIZE A3		THIS DRAWING CONTAINS INFORMATION THAT IS PROPRIETARY TO MOLEX INCORPORATED AND SHOULD NOT BE USED WITHOUT WRITTEN PERMISSION		

10 9 8 7 6 5 4 3 2 1

F F

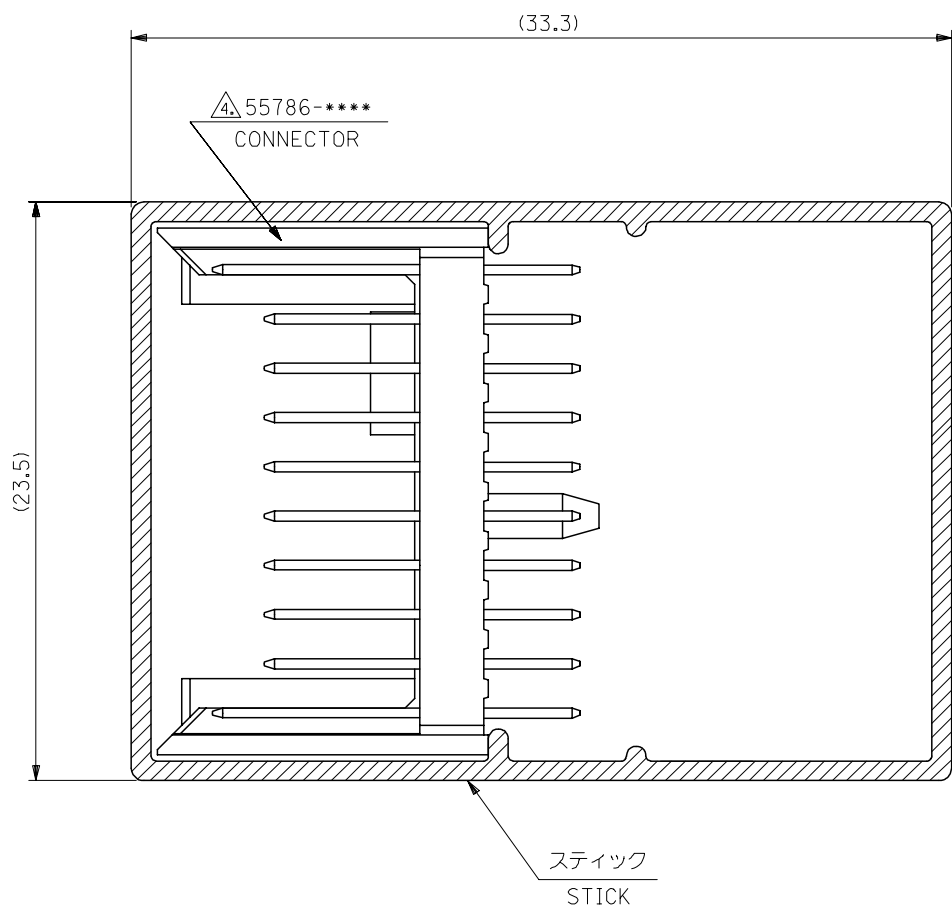
E E

D D

C C

B B

A A



注記
NOTES

1. スティック両端はテープ止め。
BOTH ENDS WITH TAPES.
2. 全長: 560±2
TOTAL LENGTH: 560±2
3. 肉厚: 0.8±0.2
THICKNESS: 0.8±0.2
4. 表参照
SEE TABLE

MATERIAL

スティック:
STICK:

ポリ塩化ビニル
PVC

REV	DESCRIPTION
0	RELEASED EC NO: J2006-0096 DRW: SHOSHIKAWA 2005/07/08 CHKD: SHOSHIKAWA 2005/07/08 APPR: MYAGI 2005/07/11

GENERAL TOLERANCES (UNLESS SPECIFIED)	
10 UNDER	± ---
10 OVER 30 UNDER	± ---
30 OVER	± ---
ANGULAR	± --- °
DRAFT WHERE APPLICABLE MUST REMAIN WITHIN DIMENSIONS	

DIMENSION STYLE MM ONLY	
DRAWN BY	DATE
SHOSHIKAWA	05/07/07
CHECKED BY	DATE
MYAGI	05/07/07
APPROVED BY	DATE
MYAGI	05/07/07
MATERIAL NO. SEE TABLE	
SIZE	A3

SCALE	---	DESIGN UNITS	METRIC	THIRD ANGLE PROJECTION
TITLE MZP B/B CONN. PLUG S/T ASSY TYPE D 10ROW SHORT PKG.				
MOLEX INCORPORATED				
DOCUMENT NO. SD-55786-003			SHEET NO. 1 OF 1	
THIS DRAWING CONTAINS INFORMATION THAT IS PROPRIETARY TO MOLEX INCORPORATED AND SHOULD NOT BE USED WITHOUT WRITTEN PERMISSION				

II	55786-8111	55786-8119	220
梱包数 QUANTITY	CONNECTOR	MATERIAL NO.	極数 PIN

9 8 7 6 5 4 3 2 EN-02JA(021)