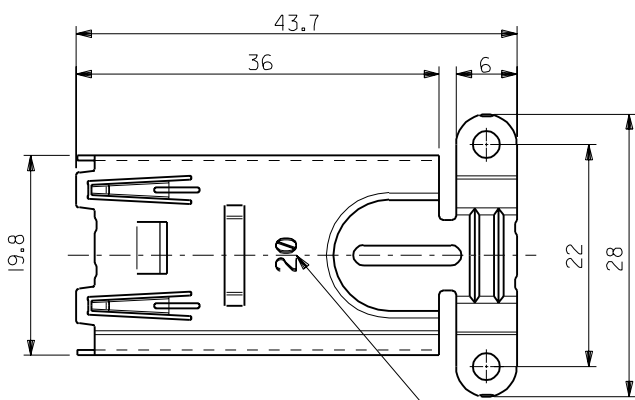


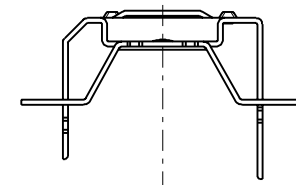
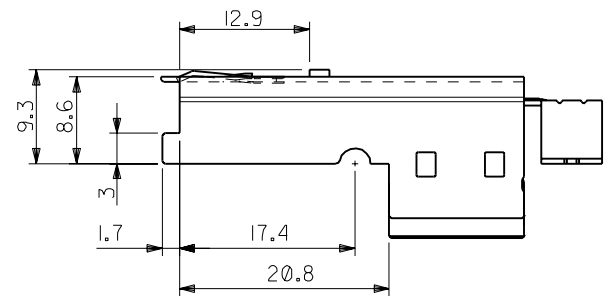
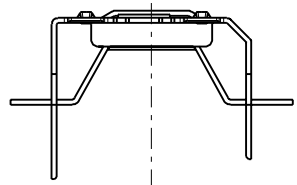
DWG. NO.
SD-56381-005



注記
NOTES

1. 材質
MATERIAL
りん青銅 (板厚: 0.5)
PHOSPHOR BRONZE (THICKNESS : 0.5)
2. メッキ仕様
TERMINAL PLATING
ニッケル下地、半田メッキ
NICKEL BASE, TIN-LEAD PLATING
3. 適用ハウジング: 51234-200*, 51239-200*
APPLICABLE HOUSING : 51234-200*, 51239-200*
4. シース外径: φ14 MAX.
SEATH O.D. : φ14 MAX.

SIZE IDENTIFICATION



DO NOT SCALE DRAWING

EC NO. DRAWN: CHK: APPR:	EC NO. DRAWN: CHK: APPR:	EC NO. DRAWN: CHK: APPR:	REVISED 01/10/19 EC NO. J2002-0944 DRAWN: K.SAKAMOTO CHK: J.MIYAZAWA APPR: YO.ITO	REVISED 01/02/16 EC NO. JD2001-1040 DRAWN: S.AKIYAMA CHK: J.MIYAZAWA APPR: H.IKESUGI	MATERIAL 材料 注記参照 SEE NOTES	GENERAL TOLERANCES: (UNLESS SPECIFIED) 一般公差	SCALE 2-1	DESIGN UNITS <input checked="" type="checkbox"/> mm <input type="checkbox"/> INCH	THIRD ANGLE PROJECTION <input checked="" type="checkbox"/> THIRD ANGLE <input type="checkbox"/> FIRST ANGLE	TITLE: COMPACT ROBOT CONN. (CRC) PLUG SHELL COVER
			A	0	FINISH 仕上げ —	10 UNDER 未満	±0.2	DRAWN BY & DATE S. Akizawa / 01/25		MATERIAL NO. SEE CHART DRAWING NO. SD-56381-005 SHEET NO. 1 OF 1
					WIRE RANGE 適用線径範囲 —	10 OVER 30 UNDER 以上 未満	±0.25	CHECKED BY & DATE J. Miyazawa / Y. Ito		
					INS. RANGE 被覆外径 —	30 OVER 以上	±0.3	APPROVED BY & DATE H. Ikesugi		
						ANGLE 角度	±3°	CAD FILE NAME 56381005.S01		THIS DRAWING CONTAINS INFORMATION THAT IS PROPRIETARY TO MOLEX INCORPORATED AND SHOULD NOT BE USED WITHOUT WRITTEN PERMISSION.

56381-2000	56381-****	
MATERIAL.NO	MODEL.NO	
DIMENSIONS:	SHT	REV
<input type="checkbox"/> mm <input type="checkbox"/> INCH	<input checked="" type="checkbox"/> mm ONLY	REVISE ON CAD ONLY