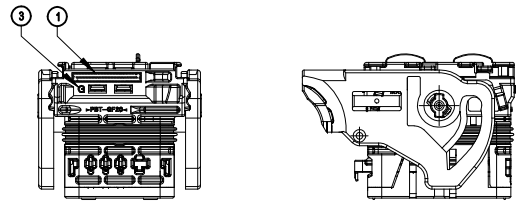
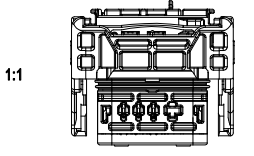
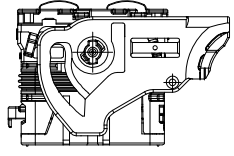
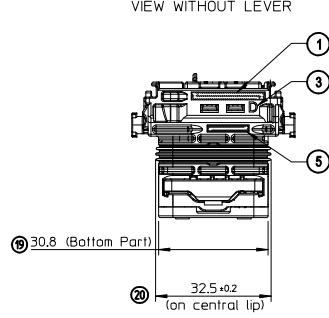
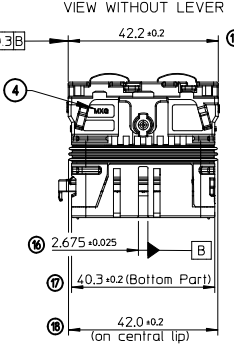
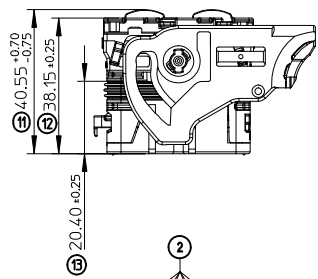
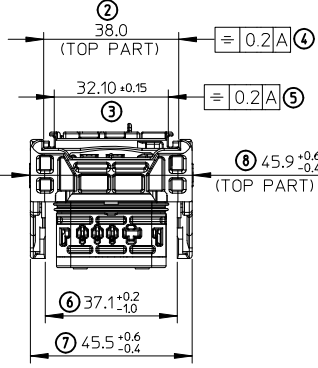
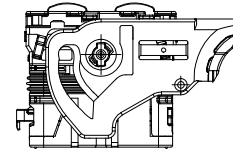
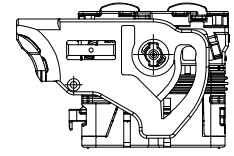


CMC 53W EQUIPED LEVER ON THE LEFT ("G" POSITION)

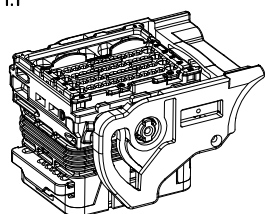
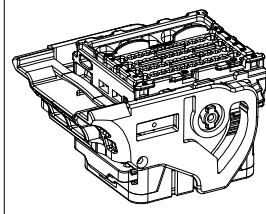


LEVER IN "G" POSITION (LEFT) (Position shown below)	
MOLEX P/N	COLOR
0643211011	BLACK
0643211018	GREY
0643211019	BROWN
0643211015	GREEN

LEVER IN "D" POSITION (RIGHT) (Position shown below)	
MOLEX P/N	COLOR
0643212011	BLACK
0643212018	GREY
0643212019	BROWN
0643212015	GREEN



ISOMETRIC VIEWS



LEVER IN "G" POSITION (LEFT)

LEVER "D" POSITION (RIGHT)

POS.	QTY	DESCRIPTION	MATERIAL	COLOR
7	1	BACK SEAL "GROMMET"	Silicon	ORANGE
6	1	REAR SEAL COVER	>PBT-GF20<	GREY
5	1	LOCKING LEVER R&L S4	>PBT-GF30<	BLACK
4	1	TPA	>PBT-GF20<	YELLOW
3	1	PERIMETER SEAL SIZE 4	Silicon	ORANGE
2	1	HOUSING TOP PART	>PBT-GF20<	BROWN
1	1	HOUSING BOTTOM PART	>PBT-GF20<	BLACK
				BROWN
				GREY
				GREEN

MARKINGS:

- ① - Tracking N° for assembled connector. (Year & Day)
- ② - Cavities identification (N°).
- ③ - Lever sens indicator. Visible letter "D" = Housing with lever on the RIGHT. (Lever on the opposite side of the SL Key) Visible letter "G" = Housing with lever on the LEFT. (Lever on the side of the SL Key)
- ④ - Supplier logo.
- ⑤ - Molex Area.

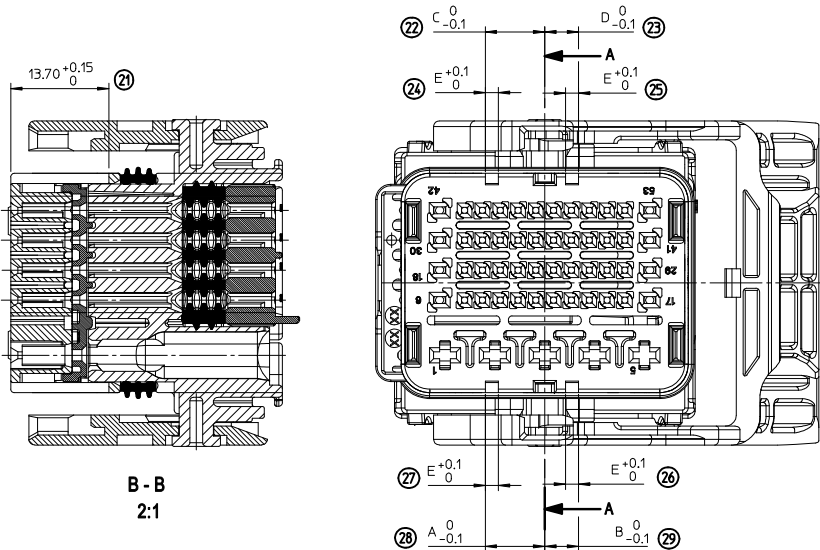
NOTES:

- 1- The represented female connector is the "D" version (Way out on the Right), Black coding.
 - 2- Application Spec.: AS-64318-002
 - 3- Plugs & caps used:
Cavities 0.6: plug: 0643251010
Cavities 1.5: plug: 0643251023
Cavities 2.8: cap: 0643251091
 - 4- Weight: 50,8 g
 - 5- The assembled female connector matches with the cover CMC 53W (P/N: 064321101)
- *- Clamping areas on male connector.

UPDATE DWG EC NO: G2011-0077 DRWN: PBOUAIN 2010/11/24 CHKD: PLESSIS 2010/11/29 APPR: BOUCHAN 2011/12/20	QUALITY SYMBOLS ✓ 0 ✓ 0 ✓ 0	GENERAL TOLERANCES (UNLESS SPECIFIED)		DIMENSION STYLE MM ONLY	SCALE 1:1	DESIGN UNITS METRIC	FIRST ANGLE PROJECTION
		4 PLACES ± --- ± --- 3 PLACES ± --- ± --- 2 PLACES ± 0.05 ± --- 1 PLACE ± 0.1 ± ---	mm INCH	DRAWN BY G. DESBRUERES 2007/09/05	DATE 2007/09/05	TITLE CMC FEMALE MODULE 53W GENERIC SALES DRAWING	MOLEX INCORPORATED
DRAFT WHERE APPLICABLE MUST REMAIN WITHIN DIMENSIONS		ANGULAR ± 2°		APPROVED BY L. STICKEIR 2007/09/07	DATE 2007/09/07	MATERIAL NO. SEE CHARTS	DOCUMENT NO. SD-64321-001
SIZE A2 THIS DRAWING CONTAINS INFORMATION THAT IS PROPRIETARY TO MOLEX INCORPORATED AND SHOULD NOT BE USED WITHOUT WRITTEN PERMISSION				SHEET NO. 1 OF 2			

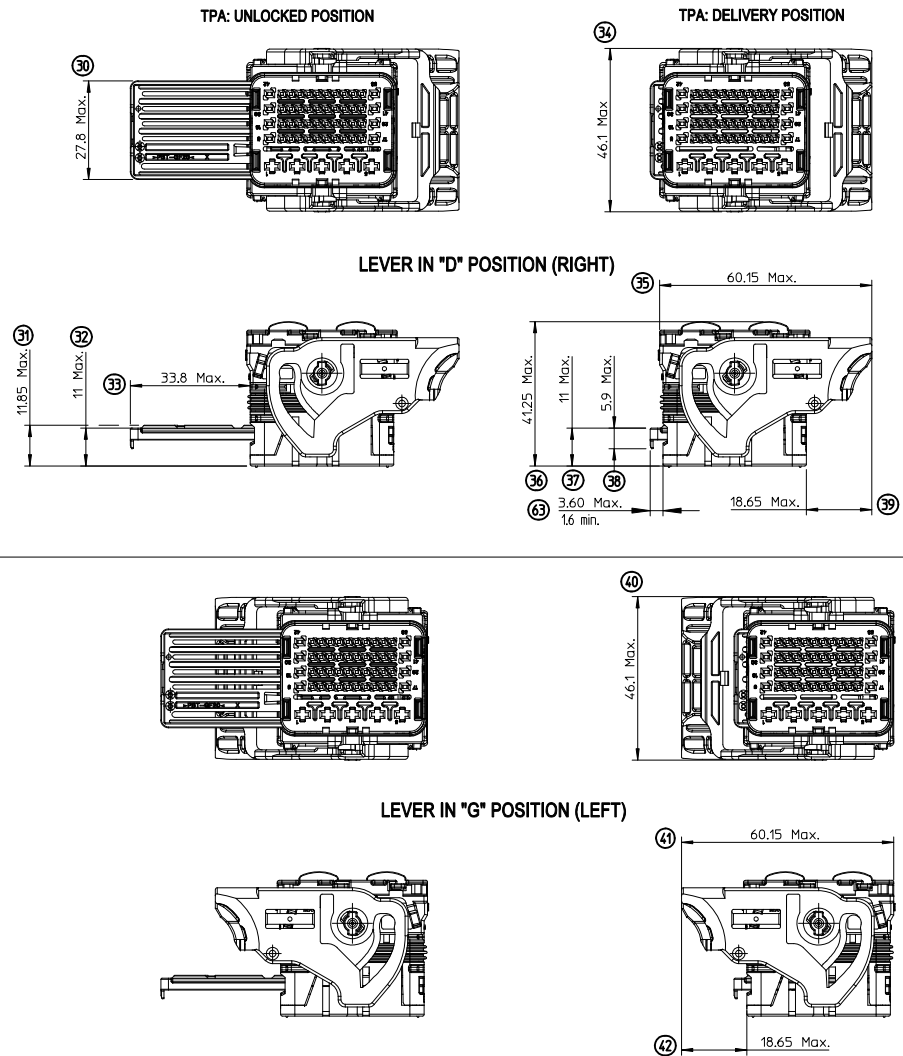
CODINGS

FEMALE HOUSING WITH THE LEVER ON "D" (RIGHT) POSITION.



COLOR	CODING	A $\begin{smallmatrix} 0 \\ -0.1 \end{smallmatrix}$	B $\begin{smallmatrix} 0 \\ -0.1 \end{smallmatrix}$	C $\begin{smallmatrix} 0 \\ -0.1 \end{smallmatrix}$	D $\begin{smallmatrix} 0 \\ -0.1 \end{smallmatrix}$	E $\begin{smallmatrix} +0.1 \\ 0 \end{smallmatrix}$
BLACK	1	8.4	4.8	8.4	4.8	1.8
GREY	2	8.4	6.6	6.6	6.6	1.8
BROWN	3	8.4	8.4	4.8	10.2	1.8
GREEN	4	4.8	10.2	8.4	12.0	1.8

MODULE OVERALL DIMENSIONS:



TERMINALS' P/N(S)

CAVITIES N°	FEMALE TERMINALS (Section mm2)	PLATING	MOLEX P/N	WIRE SEAL	min / MAX WIRE INSULATION DIAMETER		
7 to 16 19 to 28 31 to 40 43 to 52	CP 0.6 (0.35mm2)	Tin plated	0643221019		∅1.25 min. / ∅1.40 Max.		
		Gold plated	0643221229				
	CP 0.6 (0.5mm2)	Tin plated	0643221039				
		Gold plated	0643221239				
6, 17, 18 29, 30, 41 42, 53	CP 0.6 (0.75mm2)	Tin plated	0643221029		∅1.60 min. / ∅1.90 Max.		
		Gold plated	0643221219				
	CP 1.5 (0.5mm2 to 1mm2)	Tin plated	0643231029				
		Gold plated	0643231319				
1 to 5	CP 1.5 (>1mm2 to 2mm2)	Tin plated	0643231039		∅2.10 min. / ∅2.80 Max.		
		Gold plated	0643231219				
	CP 2.8 (>0.5mm2 to 1mm2)	Tin plated	0643241049			0643251332	∅1.40 min. / ∅2.15 Max.
		Gold plated	0643241149				
1 to 5	CP 2.8 (>1mm2 to 2mm2)	Tin plated	0643241039	0643251345	∅2.10 min. / ∅2.80 Max.		
		Gold plated	0643241139				
	CP 2.8 (>2mm2 to 3mm2)	Tin plated	0643241029			0643251358	∅2.65 min. / ∅3.45 Max.
		Gold plated	0643241129				
1 to 5	CP 2.8 (>3mm2 to 5mm2)	Tin plated	0643241019	0643251366	∅3.40 min. / ∅4.00 Max.		
		Gold plated	0643241119				

UPDATE DWG ELC NO: G2011-0077 DFWN:PROSQUAIN 2010/11/24 CHK:O.PLESSIS 2010/11/29 APPR:EBDULHAN 2011/12/20	QUALITY SYMBOL 	GENERAL TOLERANCES (UNLESS SPECIFIED)		DIMENSION STYLE MM ONLY		SCALE 1.5:1	DESIGN UNITS METRIC	FIRST ANGLE PROJECTION	
		4 PLACES ± --- ± --- 3 PLACES ± --- ± --- 2 PLACES ± 0.05 ± --- 1 PLACE ± 0.1 ± ---	mm INCH ± --- ± --- ± 0.05 ± --- ± 0.1 ± ---	DRAWN BY G. DESBRUERES	DATE 2007/09/05	TITLE CMC FEMALE MODULE 53W GENERIC SALES DRAWING			
		ANGULAR ± 2 °		CHECKED BY O.PLESSIS	DATE 2007/09/06	APPROVED BY L.STICKEIR		DATE 2007/09/07	MATERIAL NO. MOLEX INCORPORATED
		DRAFT WHERE APPLICABLE MUST REMAIN WITHIN DIMENSIONS		SEE SHEET 1		DOCUMENT NO. SD-64321-001	SHEET NO. 2 OF 2		

THIS DRAWING CONTAINS INFORMATION THAT IS PROPRIETARY TO MOLEX INCORPORATED AND SHOULD NOT BE USED WITHOUT WRITTEN PERMISSION