

6

5

4

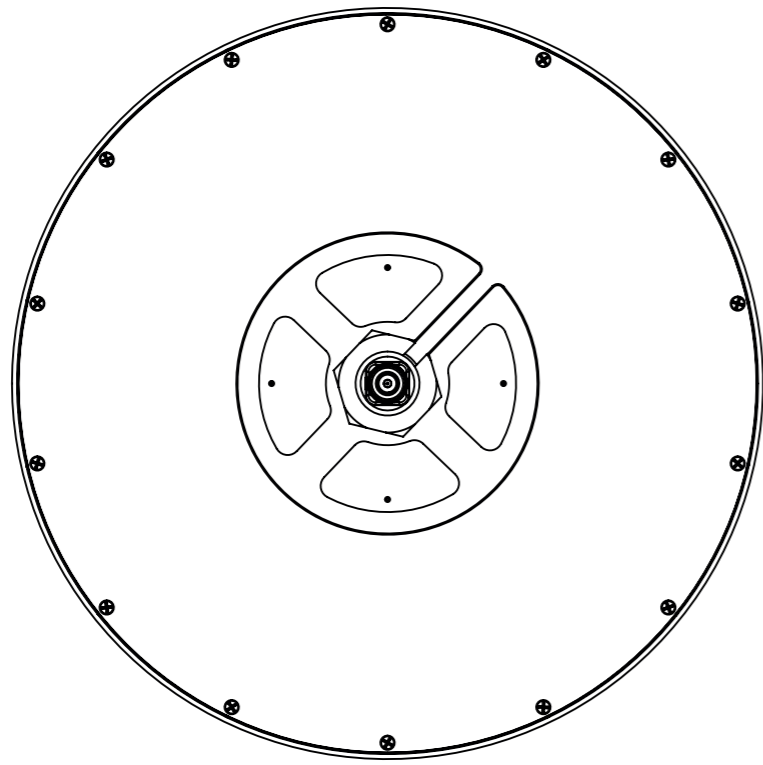
3

2

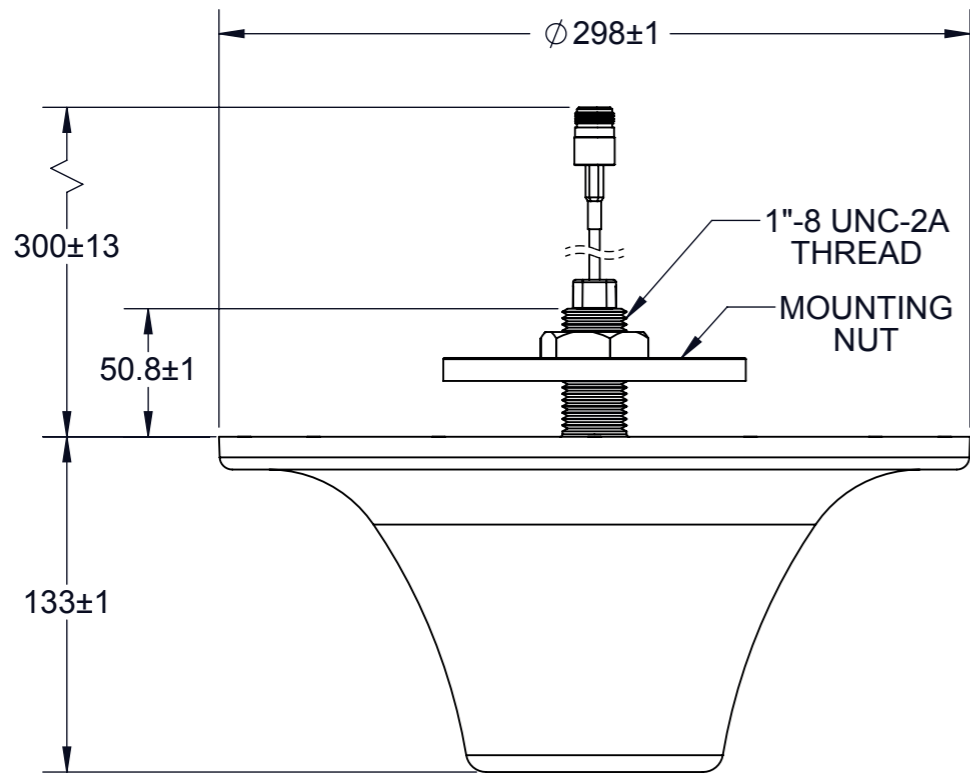
1

THIS DRAWING IS UNPUBLISHED.	RELEASED FOR PUBLICATION - , -
© Copyright 2022 TE Connectivity Ltd.	ALL RIGHTS RESERVED.

REVISIONS					
REV.	ECN#	ZONE	DESCRIPTION	CHANGED BY/DATE	APPROVED BY/DATE
F01	ECN-IAS-03859		PRODUCTION RELEASE	S.J. 25MAR15	S.J. 25MAR15
F02	ECN-IAS-04410		CHGD CHART, FREQ 6 OUT 8 AND CHGD ALL GAIN VALUES AND ADDED ANOTHER GAIN ROW.	M.L. 30JUL15	H.R. 30JUL15
F03	ECN-IAS-04757		1390-1435MHz FREQUENCY WAS 1395-1435MHz	S.J. 19OCT15	H.R. 19OCT15



Parameter	Performance
TE Model Number	CMS38606-30NF
Frequency	380-520MHz
	600-960MHz
	1390-1435MHz
	1690-6000MHz
VSWR 380-520MHz	3.0:1 Max
VSWR 600-960, 1390-6000MHz	2.0:1 Max
Max Gain	2.6dBi @ 380-520MHz
	3.1dBi @ 600-960MHz
	5.8dBi @ 1390-1435MHz
	7.3dBi @ 1690-6000MHz
Polarization	Vertical
Impedance	50Ω
Power	50W @ ambient temp 25°C (77°F)
RF Connector	Type N(f)
Radome Color	White
Operating Temperature	- 30°C to +70°C
Storage Temperature	- 40°C to +85°C
Water/Foreign Body Ingress	IP-67
Antenna Weight	0.8kg (1.76lbs)
Flammability	UL94-V0



MATERIAL: N/A	THIRD ANGLE PROJECTION											
FINISH: N/A	DO NOT SCALE DRAWING											
<table border="1"> <thead> <tr> <th>APPROVALS</th> <th>DATE</th> </tr> </thead> <tbody> <tr> <td>DRAWN BY S. JOHNSON</td> <td>3MAR13</td> </tr> <tr> <td>ELEC. ENG. Y. XU</td> <td>25MAR15</td> </tr> <tr> <td>MECH. ENG. E. RUSSELL</td> <td>25MAR15</td> </tr> <tr> <td>MFG./OPS. B. THATCHER</td> <td>25MAR15</td> </tr> </tbody> </table>		APPROVALS	DATE	DRAWN BY S. JOHNSON	3MAR13	ELEC. ENG. Y. XU	25MAR15	MECH. ENG. E. RUSSELL	25MAR15	MFG./OPS. B. THATCHER	25MAR15	TITLE: CMS38606-30NF
APPROVALS	DATE											
DRAWN BY S. JOHNSON	3MAR13											
ELEC. ENG. Y. XU	25MAR15											
MECH. ENG. E. RUSSELL	25MAR15											
MFG./OPS. B. THATCHER	25MAR15											
INTERPRET DIMENSIONING AND TOLERANCING IN ACCORDANCE WITH ASME Y14.5M-2009 TOLERANCES UNLESS OTHERWISE SPECIFIED DIMENSIONS ARE IN MILLIMETERS		<table border="1"> <tr> <td>SIZE</td> <td>DWG. NO.</td> <td>REV</td> </tr> <tr> <td>A3</td> <td>CMS38606-30NFMO</td> <td>F03</td> </tr> </table>	SIZE	DWG. NO.	REV	A3	CMS38606-30NFMO	F03				
SIZE	DWG. NO.	REV										
A3	CMS38606-30NFMO	F03										
ANGLE: ±30' 0 PLACE DECIMAL: ±0.5 1 PLACE DECIMAL: ±0.25 2 PLACE DECIMAL: ±0.13 SURFACE ROUGHNESS 1.6/√		SCALE: 1:3 PREVIOUS# SHEET 1 OF 2										

6

5

4

3

2

1

6

5

4

3

2

1

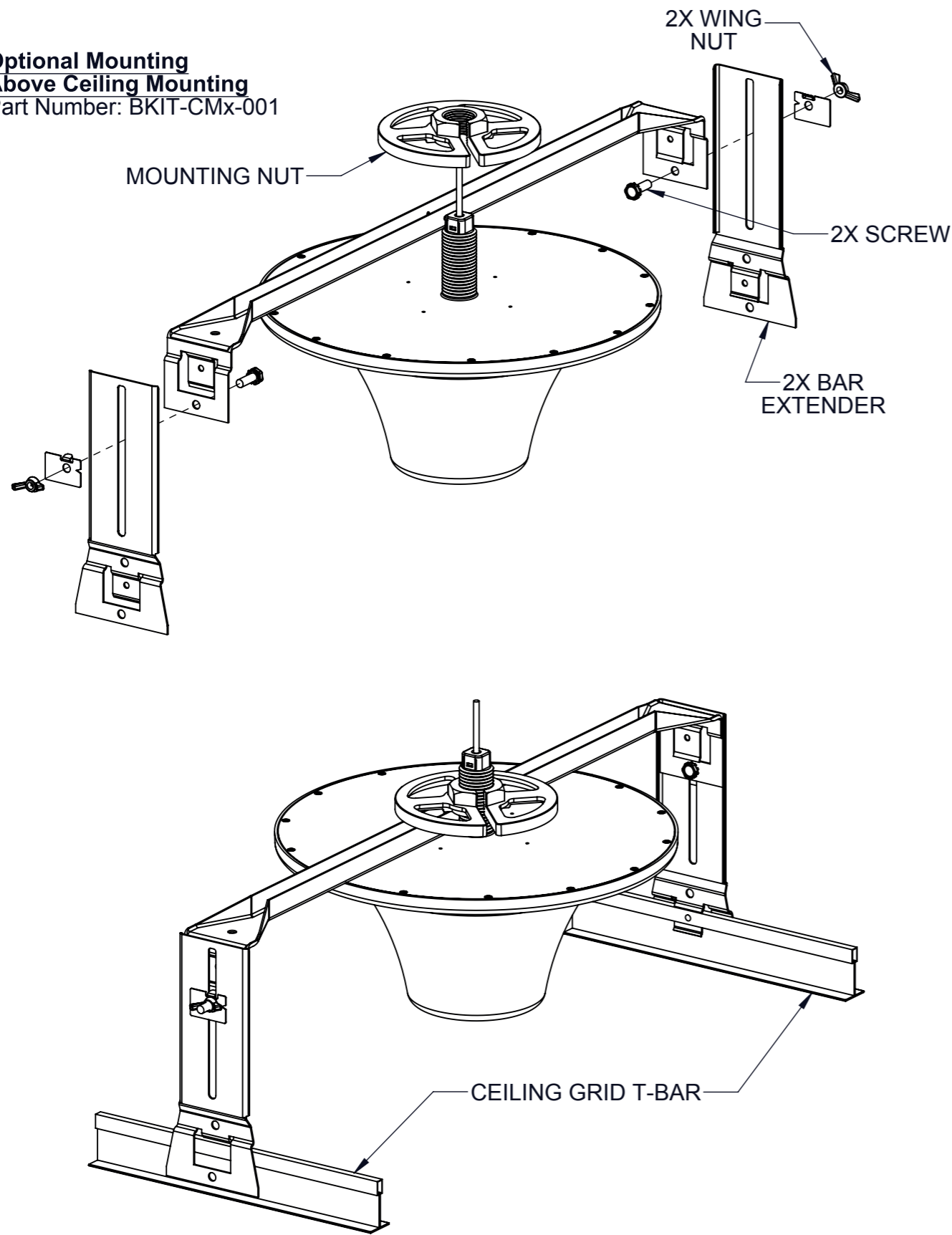
THIS DRAWING IS UNPUBLISHED.

RELEASED FOR PUBLICATION - , -

© Copyright 2022 TE Connectivity Ltd.

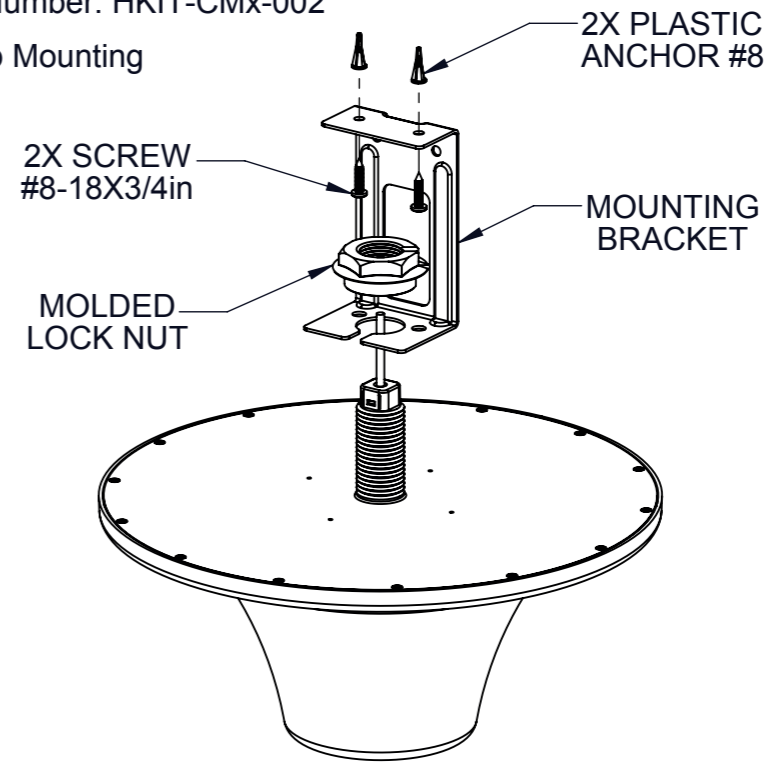
ALL RIGHTS RESERVED.

**Optional Mounting
Above Ceiling Mounting**
Part Number: BKIT-CMx-001

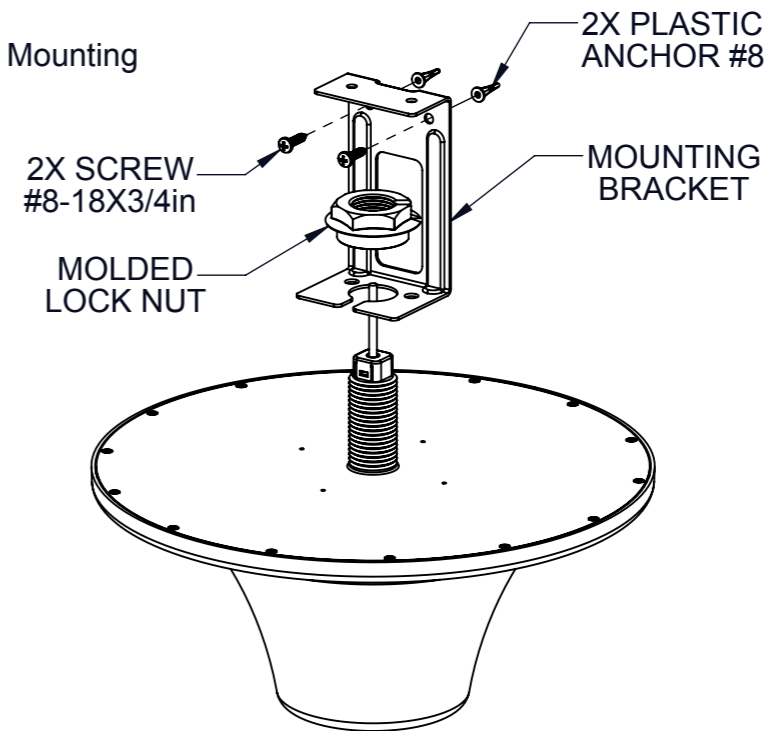


**Optional Mounting
Hard Ceiling Mounting**
Part Number: HKIT-CMx-002

1. Top Mounting



2. Side Mounting



NOTE: THESE OPTIONAL MOUNTING KITS ARE NOT INCLUDED WITH THE ANTENNA AND CAN BE PURCHASED SEPERATELY



SIZE	DWG. NO.	REV
A3	CMS38606-30NFMO	F03
SCALE: 1:4	PREVIOUS#	SHEET 2 OF 2

6

5

4

3

2

1