

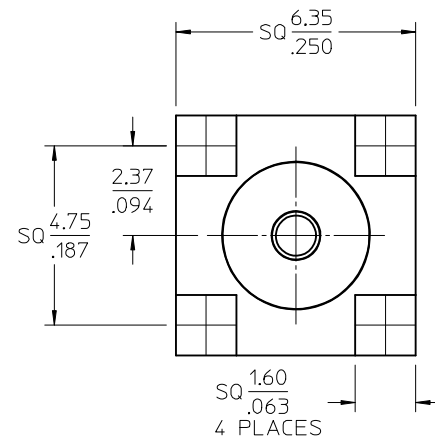
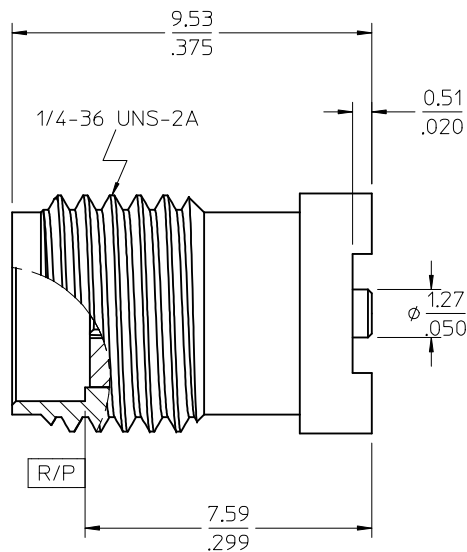
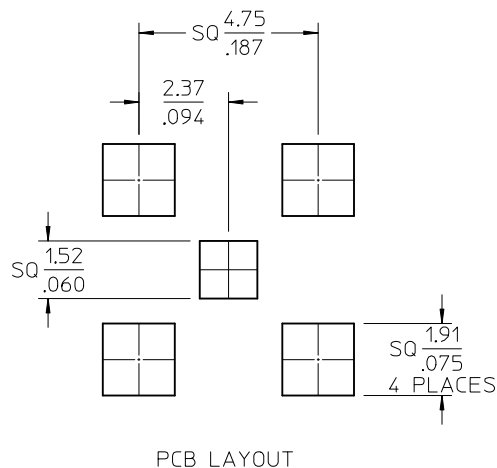
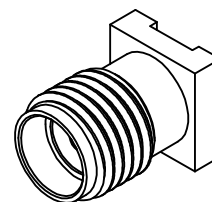
MATERIALS & FINISHES

BODY: BRASS
 PLATED: SEE TABLE

CONTACT: BERYLLIUM COPPER
 PLATED: GOLD

INSULATOR: TEFLON

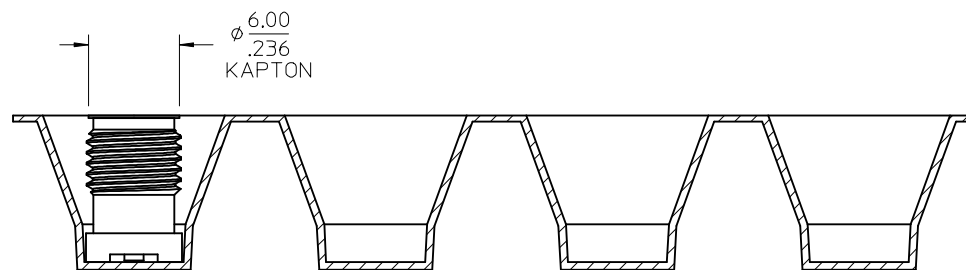
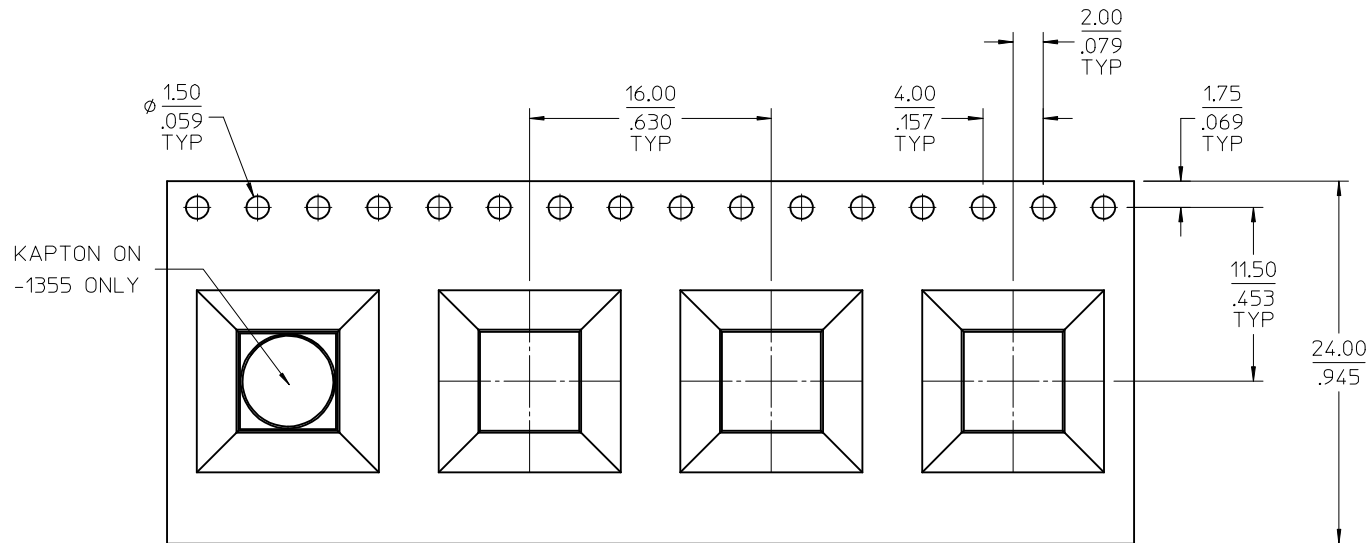
KAPTON: POLYIMIDE FILM
 (ON -1355 ONLY)



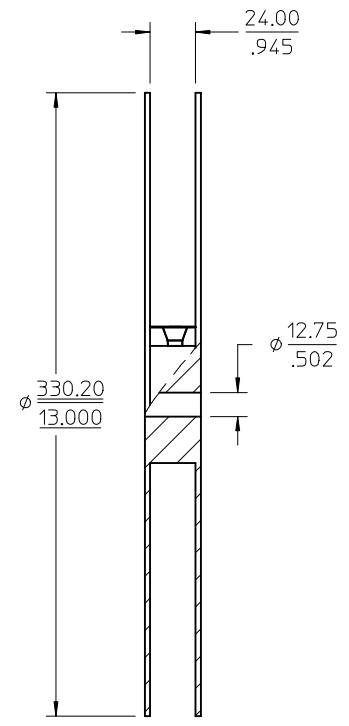
73251-1355	T & R W/KAPTON (400 PCS / REEL) BODY GOLD
73251-1354	TAPE & REEL (400 PCS / REEL) BODY NICKEL
73251-1353	TRAY PACK (80 PCS / TRAY) / BODY NICKEL
73251-1352	ONE PIECE 73251-1350 PER BAG / BODY GOLD
73251-1351	TAPE & REEL (400 PCS / REEL) / BODY GOLD
73251-1350	TRAY PACK (80 PCS / TRAY) / BODY GOLD
PART NO	TAPE & REEL (400 PCS / REEL) / BODY GOLD

MIL-STD-348A, FIG. 310.2	INTERFACE
SPECIFICATION	DESCRIPTION

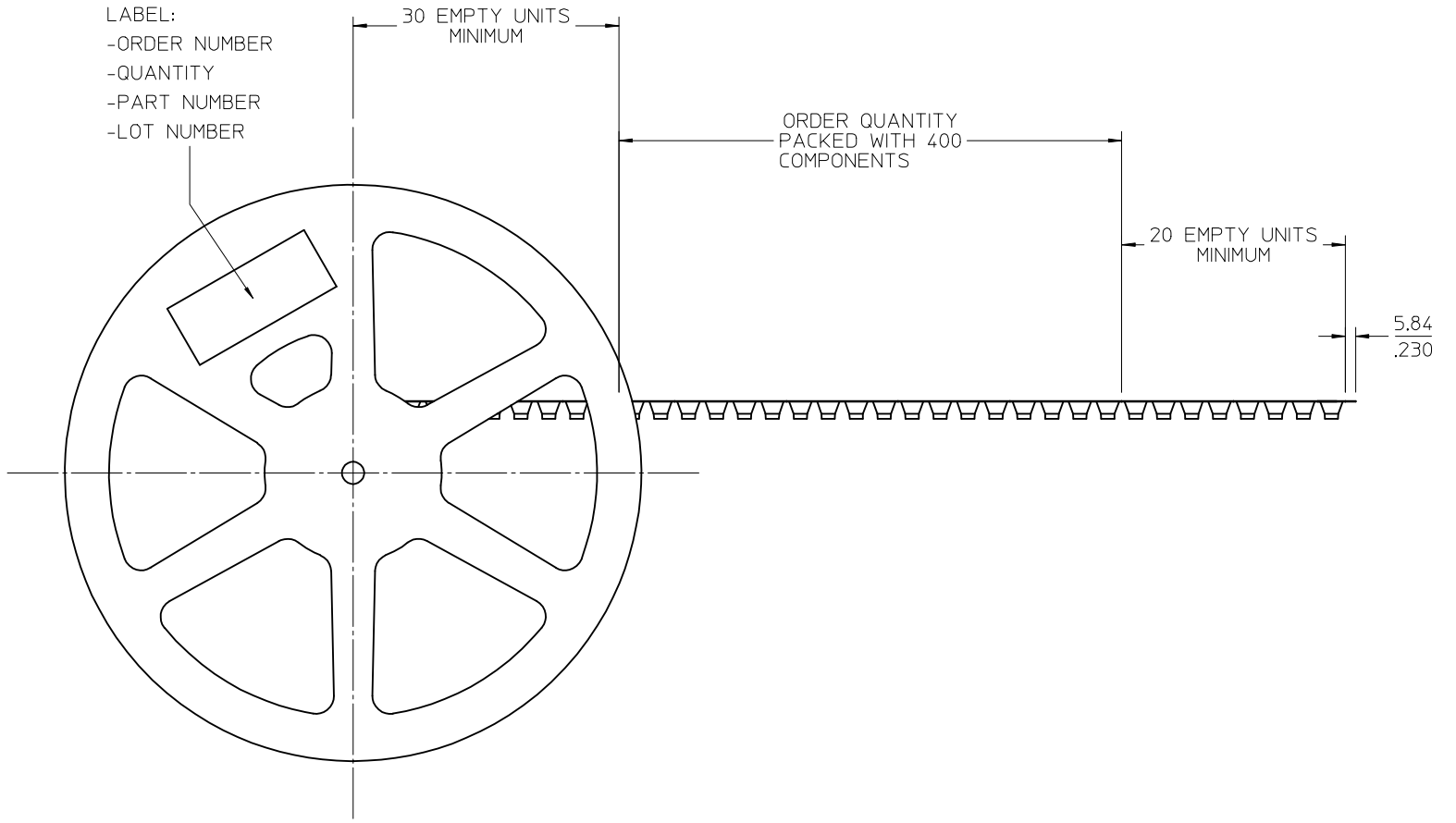
CHG: -1355 ADDED PER PDR12091178 EC NO: URF2013-0495 DRWR:YEH CHKD: APPR:HUANG 2012/10/02 2013/03/11 B6	QUALITY SYMBOLS ∇=0 ∇=0 ∇=0	GENERAL TOLERANCES (UNLESS SPECIFIED) <table border="1"> <tr> <th></th> <th>mm</th> <th>INCH</th> </tr> <tr> <td>4 PLACES</td> <td>± .010</td> <td>± .0004</td> </tr> <tr> <td>3 PLACES</td> <td>± .015</td> <td>± .0006</td> </tr> <tr> <td>2 PLACES</td> <td>± .020</td> <td>± .0008</td> </tr> <tr> <td>1 PLACE</td> <td>± .030</td> <td>± .0012</td> </tr> <tr> <td>0 PLACE</td> <td>± .040</td> <td>± .0015</td> </tr> </table>		mm	INCH	4 PLACES	± .010	± .0004	3 PLACES	± .015	± .0006	2 PLACES	± .020	± .0008	1 PLACE	± .030	± .0012	0 PLACE	± .040	± .0015	DIMENSION STYLE MM/IN DRAWN BY: SSS DATE: 2000/05/16 CHECKED BY: TFE DATE: 2000/05/16 APPROVED BY: GMH DATE: 2000/05/16	SCALE: 10:1 DESIGN UNITS: METRIC THIRD ANGLE PROJECTION	TITLE: SMA, JACK VERTICAL PCB SMT SMA-J/PCB, EWR-2107 molex DOCUMENT NO. SD-73251-135 SHEET NO. 1 OF 3
		mm	INCH																				
	4 PLACES	± .010	± .0004																				
	3 PLACES	± .015	± .0006																				
2 PLACES	± .020	± .0008																					
1 PLACE	± .030	± .0012																					
0 PLACE	± .040	± .0015																					
DRAFT WHERE APPLICABLE MUST REMAIN WITHIN DIMENSIONS		MATERIAL NO. SEE TABLE	THIS DRAWING CONTAINS INFORMATION THAT IS PROPRIETARY TO MOLEX INCORPORATED AND SHOULD NOT BE USED WITHOUT WRITTEN PERMISSION																				
		ANGULAR ± 2 °																					
		SIZE C																					



CHG:SEE SHEET 1 EC NO: URF2013-0495 DRAWN:RYEH CHKD: APPR:MHUANG	DESCRIPTION 2012/10/02 2013/03/11	QUALITY SYMBOLS	GENERAL TOLERANCES (UNLESS SPECIFIED)	DIMENSION STYLE	SCALE	DESIGN UNITS	THIRD ANGLE PROJECTION
		▽=0 ▽=0 ▽=0	mm INCH	MM/IN	4:1	METRIC	☉
B6	REV	4 PLACES ±	±	DRAWN BY	DATE	TITLE SMA, JACK VERTICAL PCB SMT SMA-J/PCB, EWR-2107	
		3 PLACES ±	±	SSS	2000/05/16		
		2 PLACES ±	±	CHECKED BY	DATE	DOCUMENT NO. SD-73251-135	
		1 PLACE ±	±	TEF	2000/05/16		
		0 PLACE ±	±	APPROVED BY	DATE	SHEET NO. 2 OF 3	
				GMH	2000/05/16		
		ANGULAR ± 2°		MATERIAL NO.			
		DRAFT WHERE APPLICABLE MUST REMAIN WITHIN DIMENSIONS		SEE TABLE			
				SIZE	THIS DRAWING CONTAINS INFORMATION THAT IS PROPRIETARY TO MOLEX INCORPORATED AND SHOULD NOT BE USED WITHOUT WRITTEN PERMISSION		



LABEL:
 -ORDER NUMBER
 -QUANTITY
 -PART NUMBER
 -LOT NUMBER



CHG:SEE SHEET 1	QUALITY SYMBOLS
EC NO: URF2013-0495	▽=0
DRW:RYEH 2012/10/02	▽=0
CHKD: 2013/03/11	▽=0
APPR:MHUANG	
REV	
B6	

GENERAL TOLERANCES (UNLESS SPECIFIED)	
	mm INCH
4 PLACES ±	±
3 PLACES ±	±
2 PLACES ±	±
1 PLACE ±	±
0 PLACE ±	±
ANGULAR ± 2 °	
DRAFT WHERE APPLICABLE MUST REMAIN WITHIN DIMENSIONS	

DIMENSION STYLE	
MM/IN	
DRAWN BY	DATE
SSS	2000/05/16
CHECKED BY	DATE
TEF	2000/05/16
APPROVED BY	DATE
GMH	2000/05/16
MATERIAL NO.	
SEE TABLE	
SIZE C	

SCALE	DESIGN UNITS	THIRD ANGLE PROJECTION
1:2	METRIC	
TITLE		
SMA, JACK VERTICAL PCB SMT SMA-J/PCB, EWR-2107		
molex		
MATERIAL NO.	DOCUMENT NO.	SHEET NO.
	SD-73251-135	3 OF 3
THIS DRAWING CONTAINS INFORMATION THAT IS PROPRIETARY TO MOLEX INCORPORATED AND SHOULD NOT BE USED WITHOUT WRITTEN PERMISSION		