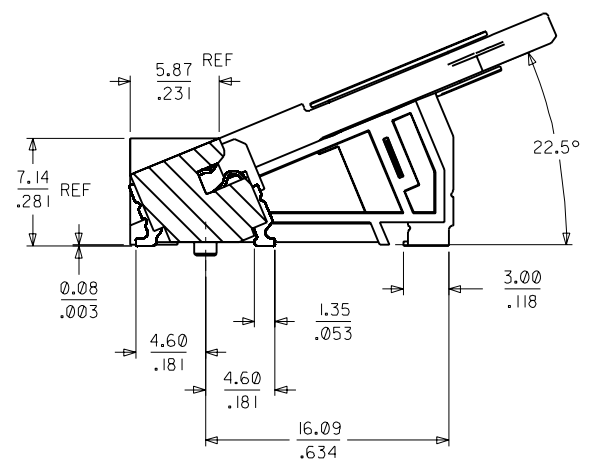
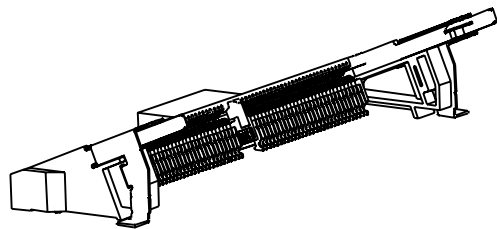
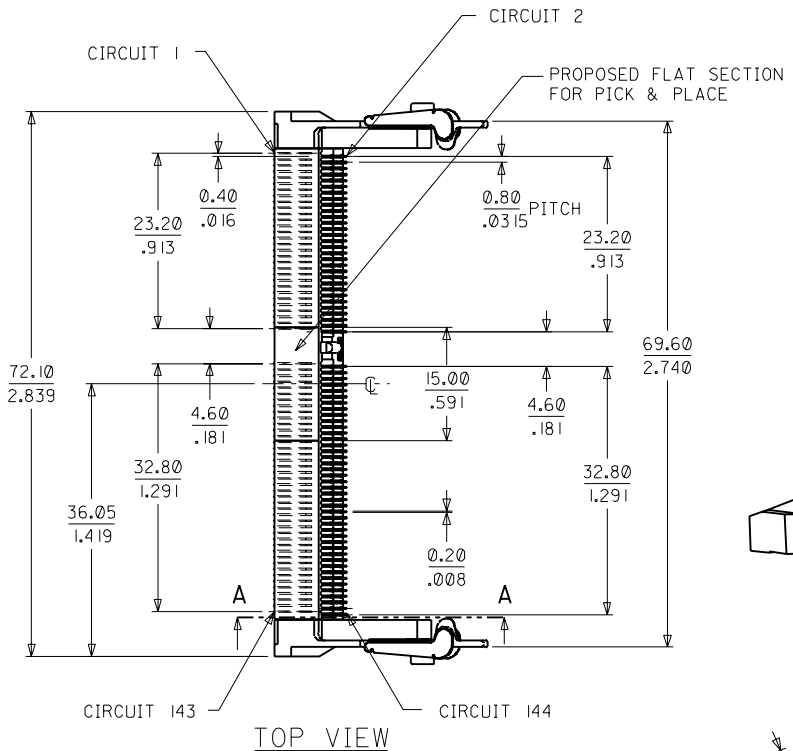
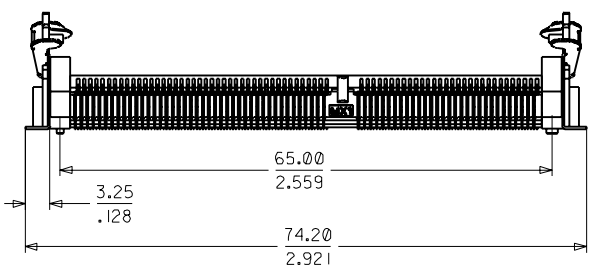
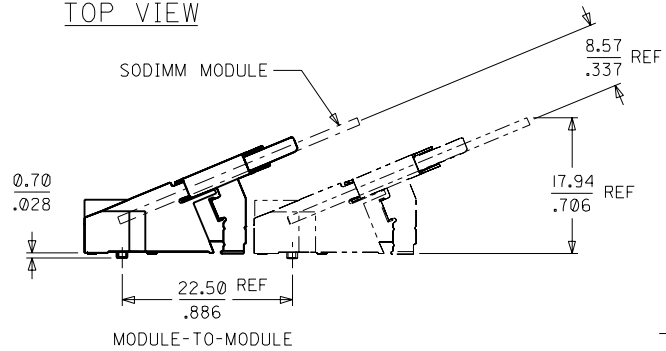


NOTES:

- MATERIALS:  
HOUSING - GLASS FILLED THERMO PLASTIC, 94-V0, WHITE.  
TERMINALS - PHOSPHOR BRONZE: 0.204/.0080 THICK.  
LATCH COVER/SOLDER TAB - BRASS: 0.305/.0120 THICK.
- PLATING:  
0.00076/.000030 MIN. GOLD IN CONTACT AREA  
0.0013/.000050 MIN. TIN/LEAD IN SOLDER/TAIL AREA  
0.0013/.000050 MIN. NICKEL UNDER-PLATING  
0.0020/.000079 MIN. TIN/LEAD OVERALL-NAIL
- COPLANARITY OF SMT TAILS: 0.10/.004 MAX.
- COPLANARITY OF NAIL: 0.10/.004 MAX.

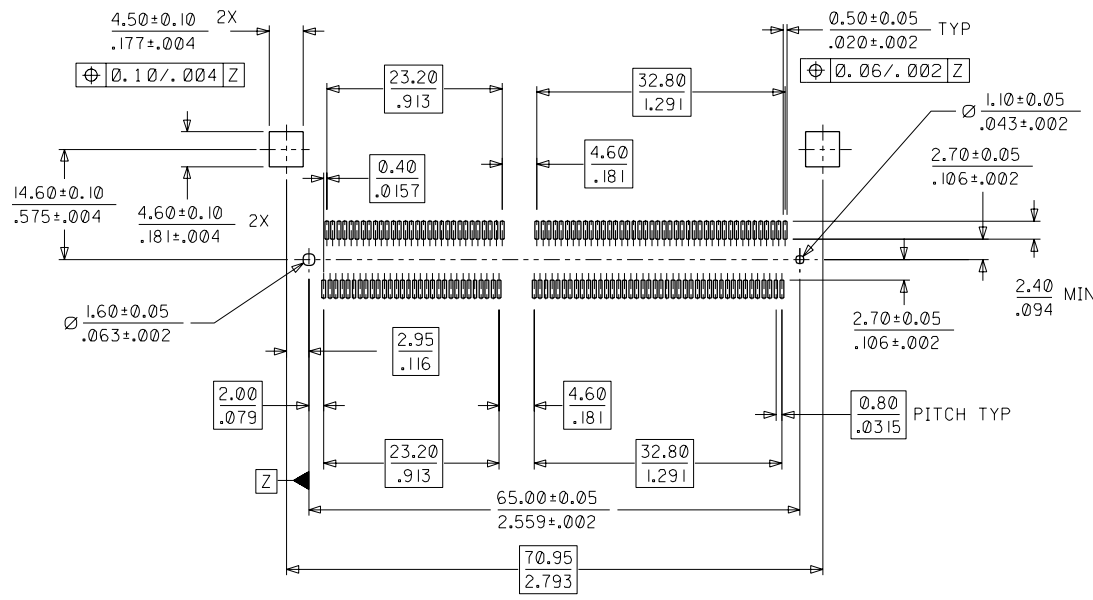


SECTION A-A  
SCALE 4:1

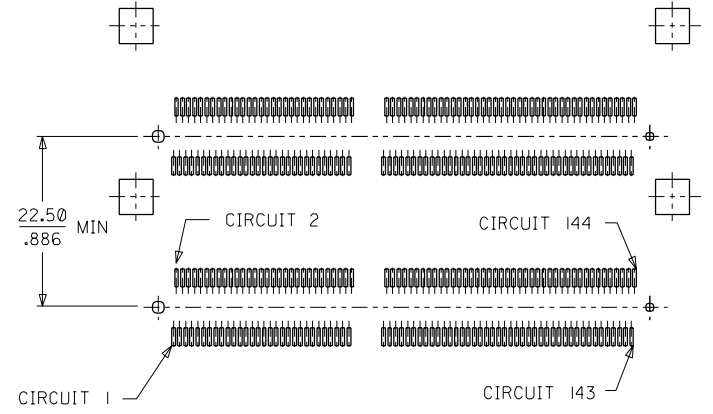


DIMENSIONS:		2	DI
		1	DI
<input checked="" type="checkbox"/> mm	<input type="checkbox"/> INCH	SHT	REV
<input type="checkbox"/> mm	<input type="checkbox"/> INCH	REVISE ON CAD ONLY	

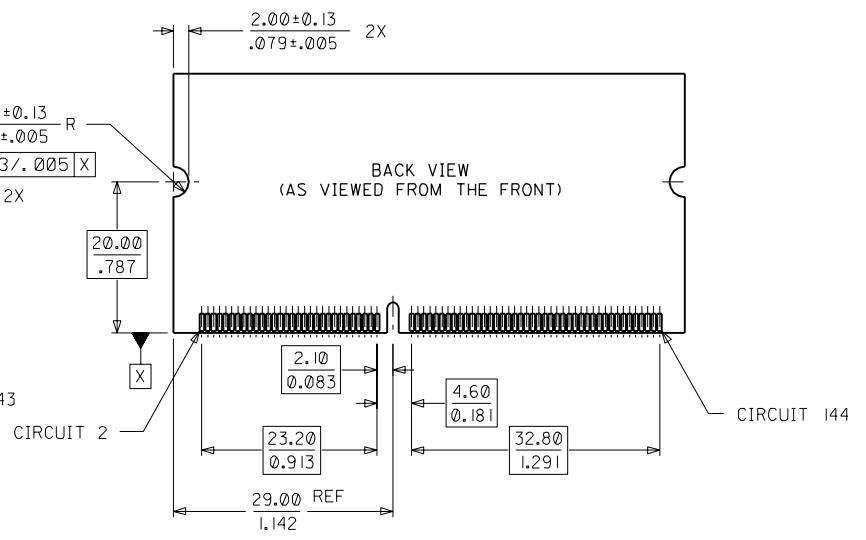
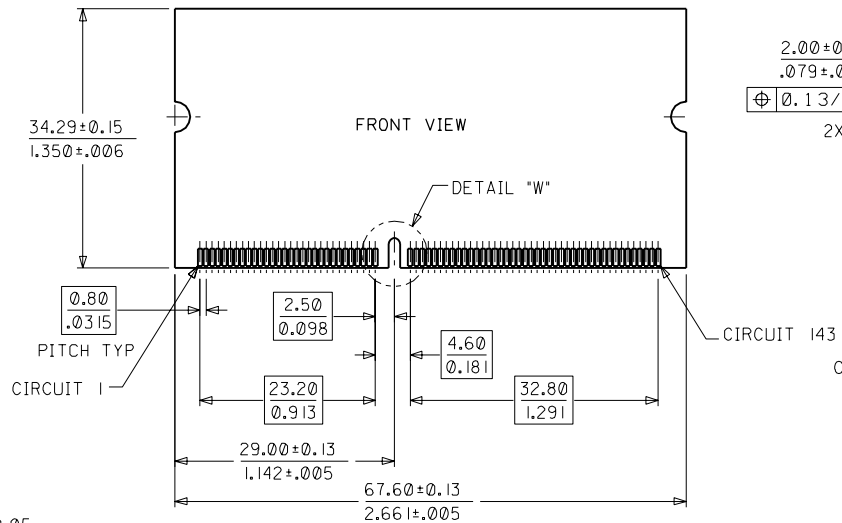
REVISED EC NO. UDT2001-0125 DRWN: RESENDEZ 00/07/26 CHK: SCHMIDGAL 00/07/26 APPR: NELSON 00/07/26	QUALITY SYMBOLS	GENERAL TOLERANCES: (UNLESS SPECIFIED)		SCALE 2:1	DESIGN UNITS <input checked="" type="checkbox"/> mm <input type="checkbox"/> INCH	THIRD ANGLE PROJECTION <input checked="" type="checkbox"/>	TITLE: SALES ASSEMBLY 22.5° S.O. DIMM SOCKET 0.80 PITCH-I44 CKT	
	MAJOR $\nabla=0$	mm	INCH	DRAWN BY & DATE RESENDEZ 99/07/13	CHECKED BY & DATE SCHMIDGAL 99/07/13		MATERIAL NO. 74398-0001	
	CRITICAL $\nabla=0$	4 PLACES ±0. ±.		APPROVED BY & DATE NELSON 99/07/13	DRAWING NO. SD-74398-001		SHEET NO. 1 OF 2	
		3 PLACES ±0. ±.		CAD FILENAME WORKMANAGER	DRAWING NO. SD-74398-001		SIZE C	
	2 PLACES ±0. ±.		ANGULAR: ± °	DRAFT WHERE APPLICABLE MUST REMAIN WITHIN DIMENSIONS		THIS DRAWING CONTAINS INFORMATION THAT IS PROPRIETARY TO MOLEX INCORPORATED AND SHOULD NOT BE USED WITHOUT WRITTEN PERMISSION.		
	1 PLACE ±0. ±.							



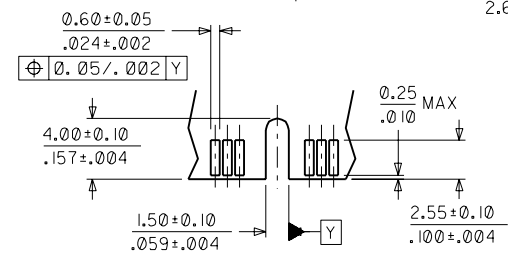
RECOMMENDED MODULE PCB LAYOUT



RECOMMENDED MODULE-TO-MODULE PCB LAYOUT



RECOMMENDED MODULE LAYOUT  
PCB THICKNESS: 1.00±0.10/.039±0.004



DETAIL 'W'  
SCALE 4:1

METRIC

SEE SHEET 1	QUALITY SYMBOLS MAJOR MINOR CRITICAL	GENERAL TOLERANCES: (UNLESS SPECIFIED)		SCALE 2 : 1	DESIGN UNITS <input checked="" type="checkbox"/> mm <input type="checkbox"/> INCH	DIMENSIONS: <input checked="" type="checkbox"/> mm <input type="checkbox"/> INCH <input type="checkbox"/> mm ONLY		SHT	REV
		mm	INCH	DRAWN BY & DATE RESENDEZ 99/07/13	TITLE: SALES ASSEMBLY 22.5° S.O. DIMM SOCKET 0.80 mm-PITCH-144 CKT				
REV	DESCRIPTION	4 PLACES	±0.	±.	CHECKED BY & DATE SCHMIDGAL 99/07/13	APPROVED BY & DATE NELSON 99/07/13		MATERIAL NO. DRAWING NO.	
		3 PLACES	±0.	±.	MATERIAL NO. DRAWING NO.		SHEET NO. 2		SIZE C
DI		2 PLACES	±0.	±.	MATERIAL NO. DRAWING NO.		SHEET NO. 2		SIZE C
		1 PLACE	±0.	±.	MATERIAL NO. DRAWING NO.		SHEET NO. 2		SIZE C
DRAFT WHERE APPLICABLE MUST REMAIN WITHIN DIMENSIONS		ANGULAR: ± °		CAD FILENAME WORKMANAGER		MATERIAL NO. DRAWING NO.		SHEET NO. 2	
THIS DRAWING CONTAINS INFORMATION THAT IS PROPRIETARY TO MOLEX INCORPORATED AND SHOULD NOT BE USED WITHOUT WRITTEN PERMISSION.									