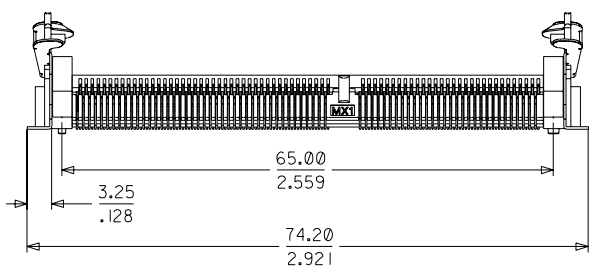
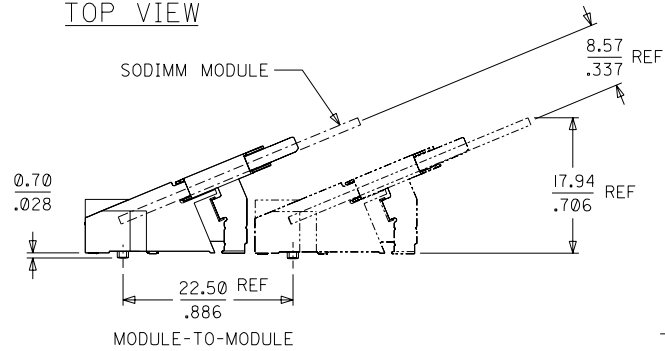
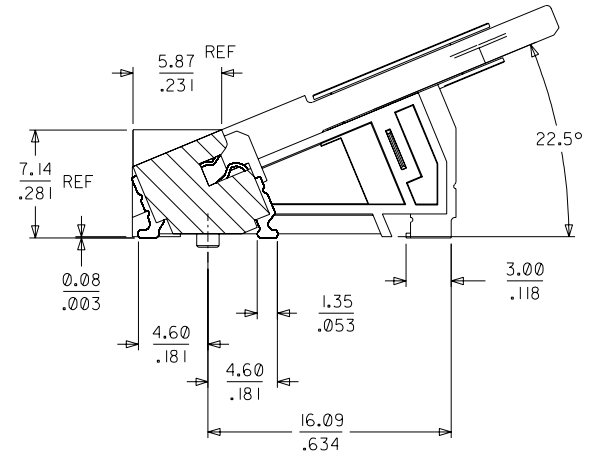
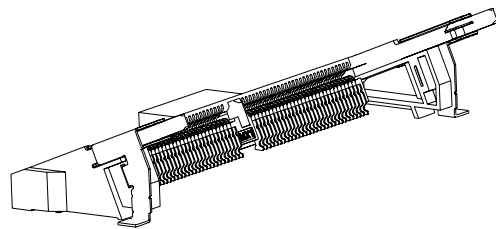
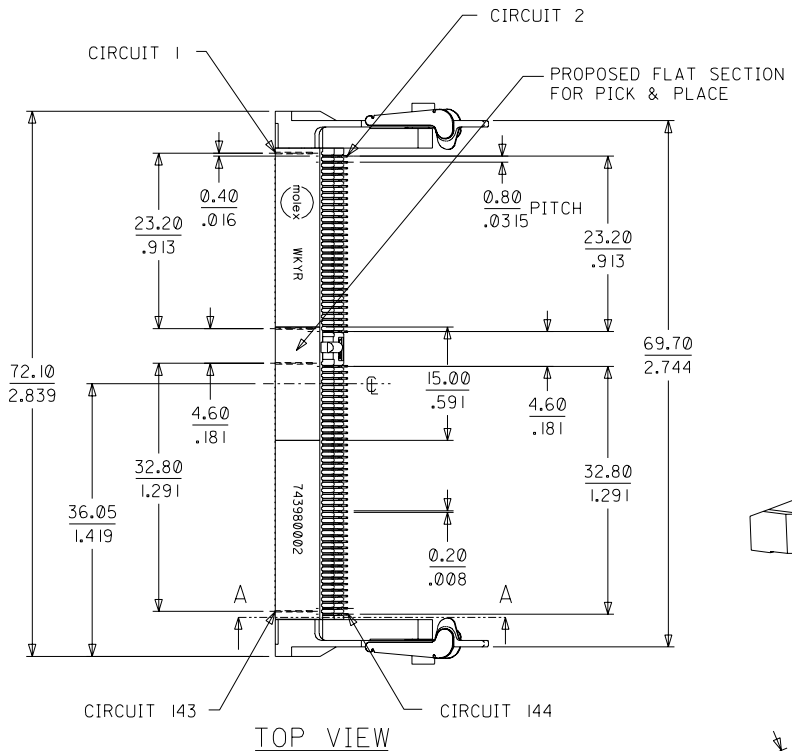


NOTES:

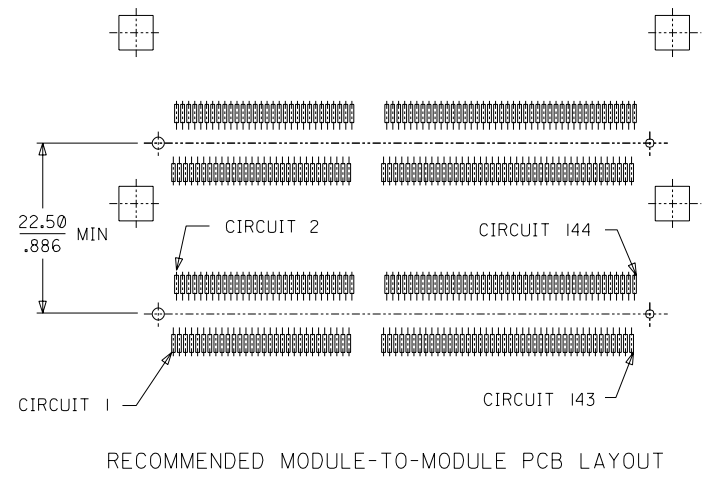
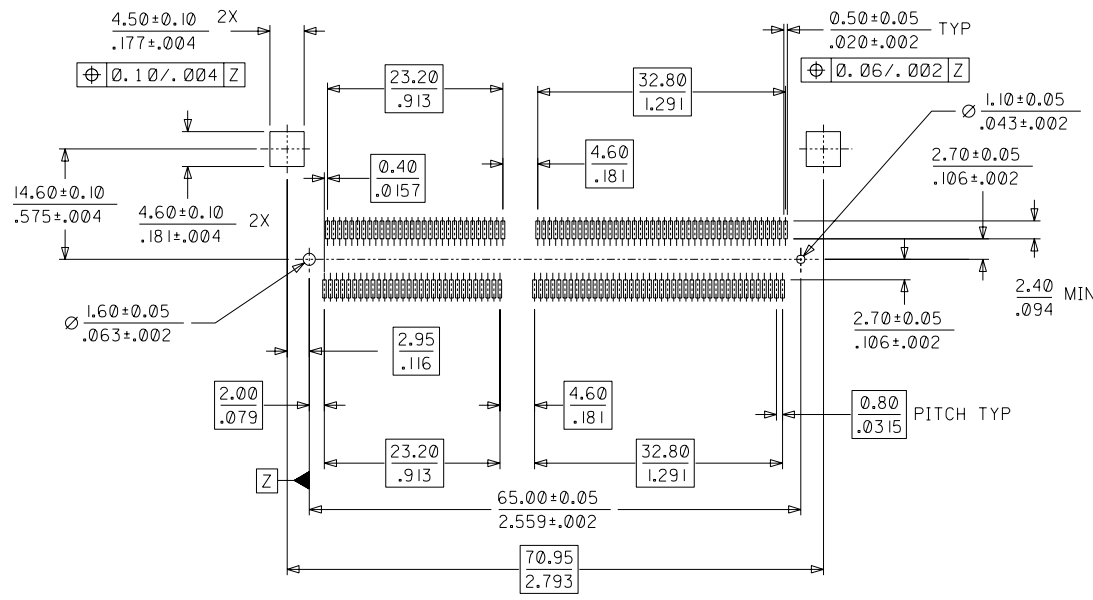
- MATERIALS:
 - HOUSING - GLASS FILLED THERMO PLASTIC, 94-V0, WHITE.
 - TERMINALS - PHOSPHOR BRONZE: 0.204/.0080 THICK.
 - LATCH COVER/SOLDER TAB - BRASS: 0.305/.0120 THICK.
- PLATING:
 - 0.00076/.000030 MINIMUM GOLD IN CONTACT AREA
 - 0.0013/.000050 MINIMUM TIN IN SOLDER/TAIL AREA
 - 0.0013/.000050 MINIMUM NICKEL UNDER-PLATING
 - 0.0020/.000079 MINIMUM TIN OVERALL-NAIL
- COPLANARITY OF SMT TAILS: 0.10/.004 MAX.
- COPLANARITY OF NAIL: 0.10/.004 MAX.



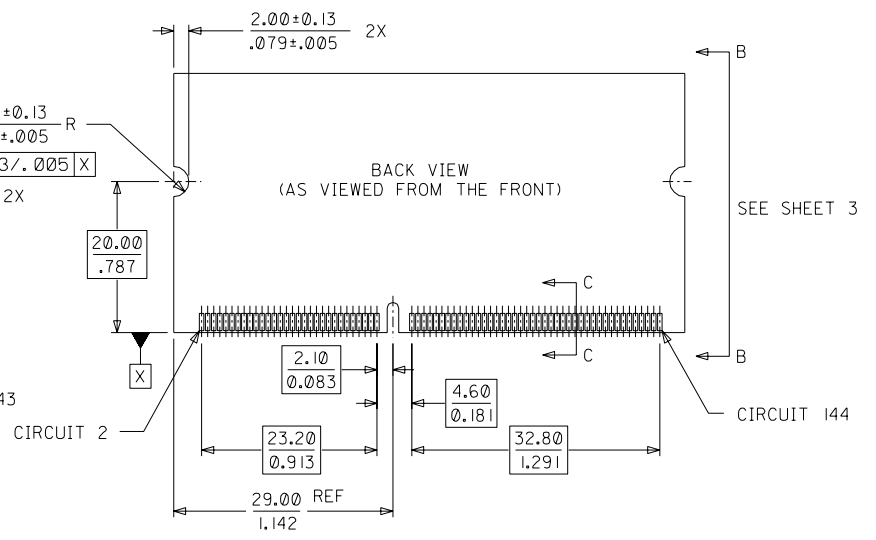
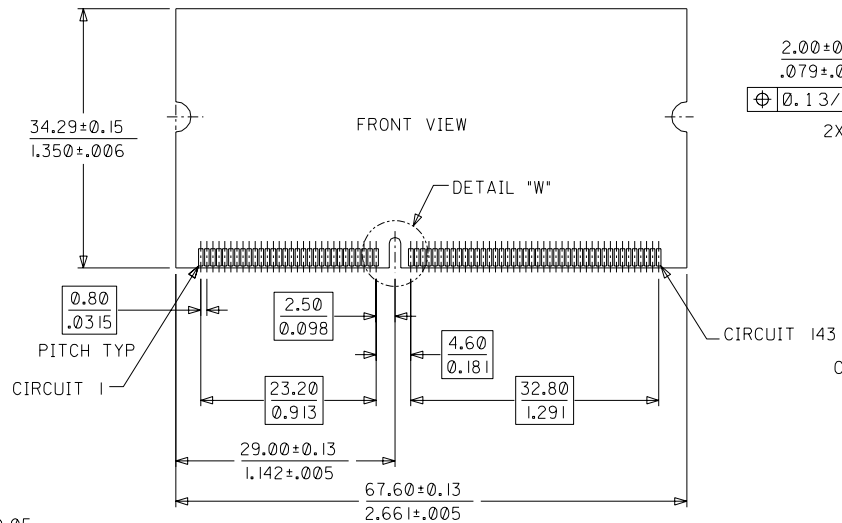
METRIC

3	B
2	B
1	B

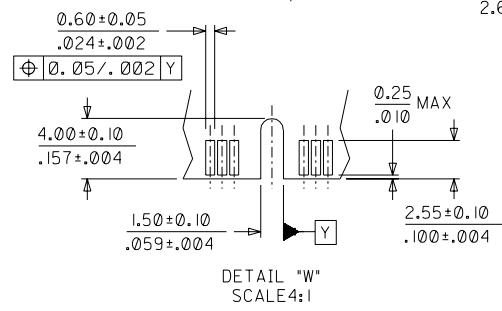
ADD SHEET 3 EC NO. UCP2004-0138 DRWN: RWWHITE 03/07/17 CHK: DMORGAN 03/07/17 APPR: SMILLER 03/07/17	QUALITY SYMBOLS MAJOR $\nabla = 0$ CRITICAL $\nabla C = 0$	GENERAL TOLERANCES: (UNLESS SPECIFIED) mm INCH 4 PLACES $\pm 0.$ $\pm.$ 3 PLACES $\pm 0.$ $\pm.$ 2 PLACES $\pm 0.$ $\pm.$ 1 PLACE $\pm 0.$ $\pm.$	SCALE 2 : 1 DESIGN UNITS <input checked="" type="checkbox"/> mm <input type="checkbox"/> INCH DRAWN BY & DATE RESENDEZ 99/07/13 CHECKED BY & DATE SCHMIDGAL 99/07/13 APPROVED BY & DATE NELSON 99/07/13	THIRD ANGLE PROJECTION <input checked="" type="checkbox"/> mm <input type="checkbox"/> INCH <input type="checkbox"/> mm ONLY TITLE: SALES ASSEMBLY 22.5° S.O. DIMM SOCKET 0.80 PITCH-I44 CKT	DIMENSIONS: <input checked="" type="checkbox"/> mm <input type="checkbox"/> INCH <input type="checkbox"/> mm ONLY SHT REV REVISE ON CAD ONLY
	CAD FILENAME WORKMANAGER MATERIAL NO. 743980002 DRAWING NO. SD-74398-002 SHEET NO. 1 OF 3	MOLEX INCORPORATED	THIS DRAWING CONTAINS INFORMATION THAT IS PROPRIETARY TO MOLEX INCORPORATED AND SHOULD NOT BE USED WITHOUT WRITTEN PERMISSION.	SIZE C	
	DRAFT WHERE APPLICABLE MUST REMAIN WITHIN DIMENSIONS	ANGULAR: \pm °	THIS DRAWING CONTAINS INFORMATION THAT IS PROPRIETARY TO MOLEX INCORPORATED AND SHOULD NOT BE USED WITHOUT WRITTEN PERMISSION.	SIZE C	
	REV B	DESCRIPTION	DESCRIPTION	DESCRIPTION	



RECOMMENDED MODULE PCB LAYOUT



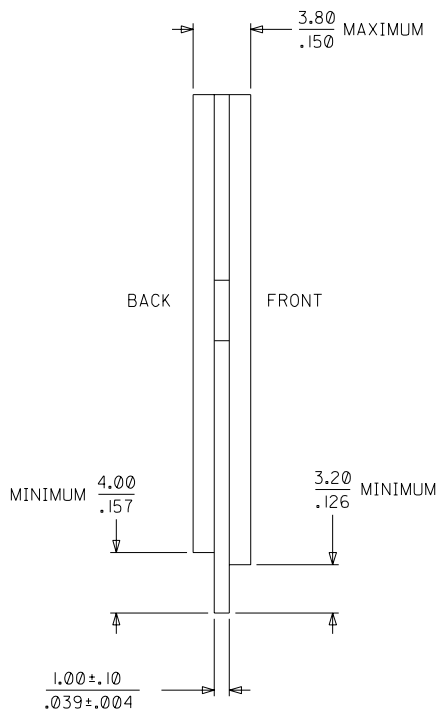
RECOMMENDED MODULE LAYOUT
PCB THICKNESS: $1.00 \pm 0.10 / .039 \pm .004$



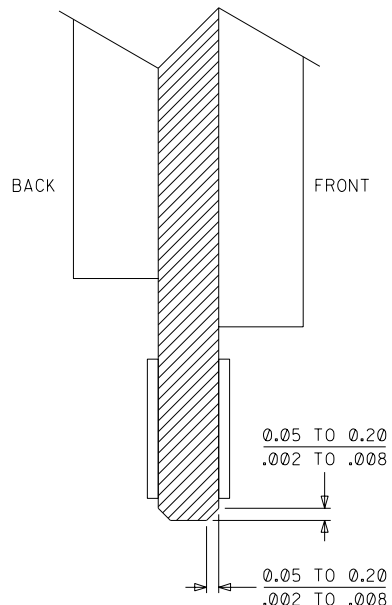
METRIC

EC NO. B	DRAWN: CHK: APPR:	DESCRIPTION REV	QUALITY SYMBOLS		GENERAL TOLERANCES: (UNLESS SPECIFIED)	SCALE 2 : 1	DESIGN UNITS <input checked="" type="checkbox"/> mm <input type="checkbox"/> INCH	THIRD ANGLE PROJECTION	DIMENSIONS:			SHT	REV
			<input checked="" type="checkbox"/> mm	<input type="checkbox"/> INCH					<input type="checkbox"/> mm ONLY	<input type="checkbox"/> INCH ONLY	REVISE ON CAD ONLY		
MAJOR 0						DRAWN BY & DATE RESENDEZ 01/05/30		TITLE: SALES ASSEMBLY					
CRITICAL 0						CHECKED BY & DATE SCHMIDGAL01/05/30		22.5° S.O. DIMM SOCKET					
ANGULAR: ± °						APPROVED BY & DATE NELSON 01/05/30		0.80 mm-PITCH-144 CKT					
DRAFT WHERE APPLICABLE MUST REMAIN WITHIN DIMENSIONS						CAD FILENAME WORKMANAGER		MATERIAL NO. 743980002		DRAWING NO. SD-74398-002		SHEET NO. 2	
THIS DRAWING CONTAINS INFORMATION THAT IS PROPRIETARY TO MOLEX INCORPORATED AND SHOULD NOT BE USED WITHOUT WRITTEN PERMISSION.												SIZE C	

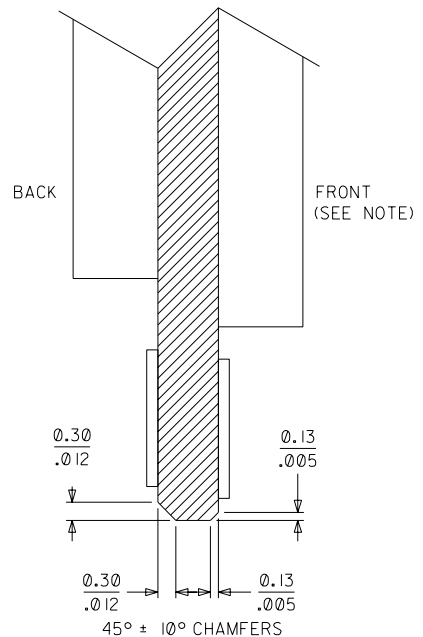
APPROVED CONFIGURATIONS



VIEW B-B
SCALE 4:1



SECTION C-C
SCALE 16:1
JEDEC STANDARD



SECTION C-C
SCALE 16:1
NOTE: FRONT MUST MATE WITH
UPPER CONTACT ON ASSEMBLY.

METRIC

SEE SHEET 1	EC NO. DRWN: CHK: APPR:	DESCRIPTION	QUALITY SYMBOLS	GENERAL TOLERANCES: (UNLESS SPECIFIED)	SCALE 2 : 1	DESIGN UNITS <input checked="" type="checkbox"/> mm <input type="checkbox"/> INCH	DIMENSIONS: <input checked="" type="checkbox"/> mm <input type="checkbox"/> INCH <input type="checkbox"/> mm ONLY	SHT	REV
			MAJOR ▽=0	mm	INCH	DRAWN BY & DATE RESENDEZ 01/05/30	TITLE: SALES ASSEMBLY 22.5° S.O. DIMM SOCKET 0.80 mm-PITCH-144 CKT	REVISE ON CAD ONLY	
			CRITICAL ▽C=0	4 PLACES ±0.	±.	CHECKED BY & DATE SCHMIDGAL 01/05/30	MATERIAL NO. 743980002	DRAWING NO. SD-74398-002	SHEET NO. 3
				3 PLACES ±0.	±.	APPROVED BY & DATE NELSON 01/05/30			
	2 PLACES ±0.	±.	CAD FILENAME WORKMANAGER						
	1 PLACE ±0.	±.	ANGULAR: ± °						
	REV		DRAFT WHERE APPLICABLE MUST REMAIN WITHIN DIMENSIONS	THIS DRAWING CONTAINS INFORMATION THAT IS PROPRIETARY TO MOLEX INCORPORATED AND SHOULD NOT BE USED WITHOUT WRITTEN PERMISSION.				SIZE C	