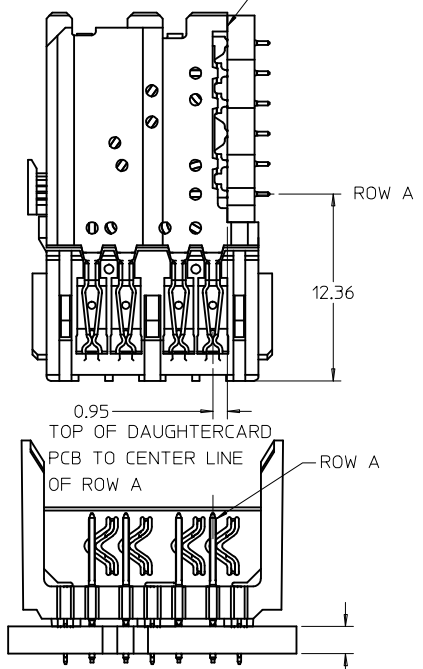
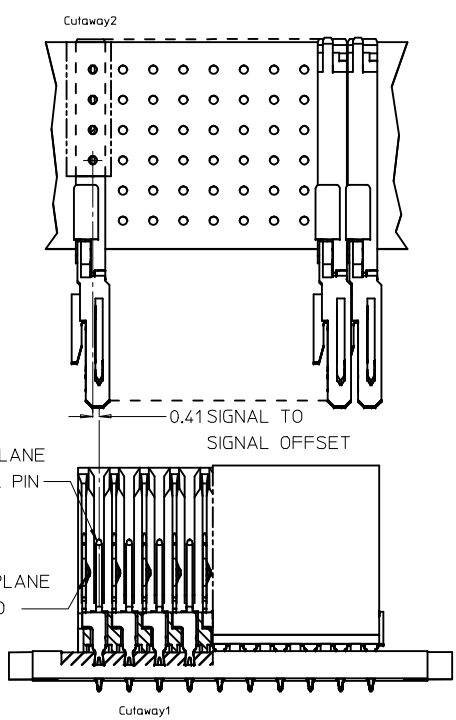


- NOTES:
1. MATERIAL: HOUSING - LIQUID CRYSTAL POLYMER (LCP) GLASS-FILLED. UL 94V-0. COLOR - BLACK. SIGNAL AND SHIELD - HIGH PERFORMANCE COPPER ALLOY.
  2. FINISHES:  
CONTACT AREA: SELECTIVE GOLD (Au)  
PCB TAILS: SELECTIVE TIN/LEAD (Sn/Pb) OR SELECTIVE MATTE TIN (Sn) NICKEL (Ni) OVERALL.
  3. THIS PART CONFORMS TO MOLEX PRODUCT SPECIFICATION PS-74031-999.
  4. FOR MIXED CONTACT MATING LENGTHS CONSULT MOLEX FOR AVAILABILITY.
  5. FOR SPECIFIC PART NUMBER AND MATING INFORMATION REFER TO SHEET 2.
  6. PACKAGE PER PK-74057-003 FOR 10 & 25 COLUMN.  
PACKAGE PER PK-70873-0934 FOR THE 9 COLUMN CONNECTOR.
  7. EITHER MARK PART NUMBER AND DATE CODE APPROXIMATELY WHERE SHOWN OR PLACE LABEL ON TUBE.
  8. MAPS (MOLEX ADVANCED PLATING SYSTEM).

THE PRIMARY CARTON WITH A LABEL STATING "ELV AND RoHS COMPLIANT" IS LEAD FREE. CARTONS WITHOUT THIS LABEL MAY CONTAIN LEAD.

<b>LEAD FREE CONVERSION</b> EC NO: UCP2013-0687 DRWINWOLFE 2012/08/24 CHKD:SYANG 2012/08/24 APPR:SMILLER 2012/12/14	QUALITY SYMBOLS ▽=0 ▽=0 ▽=0	GENERAL TOLERANCES (UNLESS SPECIFIED) <table border="1"> <tr> <th></th> <th>mm</th> <th>INCH</th> </tr> <tr> <td>4 PLACES ±</td> <td>---</td> <td>±---</td> </tr> <tr> <td>3 PLACES ±</td> <td>---</td> <td>±---</td> </tr> <tr> <td>2 PLACES ±</td> <td>0.25</td> <td>±---</td> </tr> <tr> <td>1 PLACE ±</td> <td>0.38</td> <td>±---</td> </tr> <tr> <td>0 PLACE ±</td> <td></td> <td>±</td> </tr> </table>		mm	INCH	4 PLACES ±	---	±---	3 PLACES ±	---	±---	2 PLACES ±	0.25	±---	1 PLACE ±	0.38	±---	0 PLACE ±		±	DIMENSION STYLE <b>MM ONLY</b> DRAWN BY DATE NMARTIN 2002/05/03 CHECKED BY DATE SREED 2002/05/03 APPROVED BY DATE CBIXLER 2002/05/03	SCALE <b>4:1</b> DESIGN UNITS <b>METRIC</b>	THIRD ANGLE PROJECTION
		mm	INCH																				
	4 PLACES ±	---	±---																				
	3 PLACES ±	---	±---																				
2 PLACES ±	0.25	±---																					
1 PLACE ±	0.38	±---																					
0 PLACE ±		±																					
DRAFT WHERE APPLICABLE MUST REMAIN WITHIN DIMENSIONS	MATERIAL NO. <b>SEE TABLE</b>	DOCUMENT NO. <b>SD-74979-010</b>	SHEET NO. <b>1 OF 2</b>																				
THIS DRAWING CONTAINS INFORMATION THAT IS PROPRIETARY TO MOLEX INCORPORATED AND SHOULD NOT BE USED WITHOUT WRITTEN PERMISSION																							

DAUGHTERCARD CONNECTOR SIDE



PART NUMBER	COLUMN	NUMBER OF SIGNAL PIN	NUMBER OF SHIELD	A	B	M	GOLD THICKNESS MICROMETER	TIN THICKNESS MICROMETER
74979-6901	9	36	9	18.00	16.00	4.75	0.25 MAPS	0.76-152
74979-0901							0.76	
74979-0906							1.27	
74979-9901							0.76	
74979-9906							1.27	
74979-6001	10	40	10	20.00	18.00	4.75	0.25 MAPS	
74979-1001							0.76	
74979-1006							1.27	
74979-9001							0.76	
74979-9006							1.27	
74979-7001	25	100	10	50.00	48.00	6.25	0.25 MAPS	
74979-2501							0.76	
74979-2506							1.27	
74979-8501							0.76	
74979-8506							1.27	
74979-6902	9	36	9	18.00	16.00	4.25	0.25 MAPS	
74979-0902							0.76	
74979-0907							1.27	
74979-9902							0.76	
74979-9907							1.27	
74979-6002	10	40	10	20.00	18.00	5.15	0.25 MAPS	
74979-1002							0.76	
74979-1007							1.27	
74979-9002							0.76	
74979-9007							1.27	
74979-7003	25	100	10	50.00	48.00	6.25	0.25 MAPS	
74979-2503							0.76	
74979-2508							1.27	
74979-8503							0.76	
74979-8508							1.27	
74979-6903	9	36	9	18.00	16.00	4.25	0.25 MAPS	
74979-0903							0.76	
74979-0908							1.27	
74979-9903							0.76	
74979-9908							1.27	
74979-6004	10	40	10	20.00	18.00	5.15	0.25 MAPS	
74979-1004							0.76	
74979-1009							1.27	
74979-9004							0.76	
74979-9009							1.27	
74979-7004	25	100	10	50.00	48.00	6.25	0.25 MAPS	
74979-2504							0.76	
74979-2509							1.27	
74979-8504							0.76	
74979-8509							1.27	
74979-6903	9	36	9	18.00	16.00	4.25	0.25 MAPS	
74979-0903							0.76	
74979-0908							1.27	
74979-9903							0.76	
74979-9908							1.27	
74979-6004	10	40	10	20.00	18.00	5.15	0.25 MAPS	
74979-1004							0.76	
74979-1009							1.27	
74979-9004							0.76	
74979-9009							1.27	
74979-7004	25	100	10	50.00	48.00	6.25	0.25 MAPS	
74979-2504							0.76	
74979-2509							1.27	
74979-8504							0.76	
74979-8509							1.27	

MATERIAL NUMBER ASSIGNMENT

74979-\*\* \*\*

SEE TABLE

- NUMBER OF COLUMNS/PLATING
- 10 = 10 COLUMN TIN (FORMERLY TIN LEAD)
  - 25 = 25 COLUMN TIN (FORMERLY TIN LEAD)
  - 09 = 9 COLUMN TIN (FORMERLY TIN LEAD)
  - 90 = 10 COLUMN MATTE TIN
  - 85 = 25 COLUMN MATTE TIN
  - 99 = 9 COLUMN MATTE TIN
  - 60 = 10 COLUMN MATTE TIN (MAPS)
  - 70 = 25 COLUMN MATTE TIN (MAPS)
  - 69 = 9 COLUMN MATTE TIN (MAPS)

SEE SHEET 1	EC NO: UCP2013-0687	2012/08/24	DESCRIPTION
	DRW:WOLF	2012/08/24	
	CHKD:SYANG	2012/08/24	
	APPR:SMILLER	2012/12/14	

QUALITY SYMBOLS	GENERAL TOLERANCES (UNLESS SPECIFIED)
▽=0	mm INCH
▽=0	4 PLACES ± --- ± ---
▽=0	3 PLACES ± --- ± ---
	2 PLACES ± 0.25 ± ---
	1 PLACE ± 0.38 ± ---
	0 PLACE ± ±
	ANGULAR ± ---°
	DRAFT WHERE APPLICABLE MUST REMAIN WITHIN DIMENSIONS

DIMENSION STYLE		SCALE	DESIGN UNITS	THIRD ANGLE PROJECTION
MM ONLY		4:1	METRIC	☉
DRAWN BY	DATE	TITLE		
NMARTIN	2002/05/03	HSD 6 ROW OPEN END BACKPLANE SALES DRAWING		
CHECKED BY	DATE	molex		
SREED	2002/05/03			
APPROVED BY	DATE	DOCUMENT NO.		
CBIXLER	2002/05/03	SD-74979-010		
MATERIAL NO.		SHEET NO.		
SEE TABLE		2 OF 2		

THIS DRAWING CONTAINS INFORMATION THAT IS PROPRIETARY TO MOLEX. INCORPORATED AND SHOULD NOT BE USED WITHOUT WRITTEN PERMISSION	
--	--