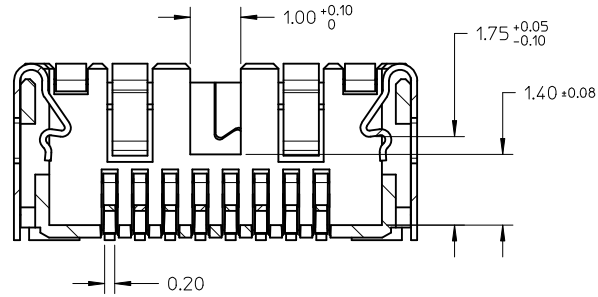
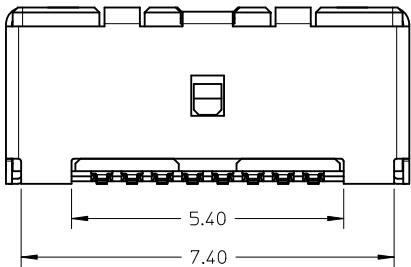


SECTION Y-Y

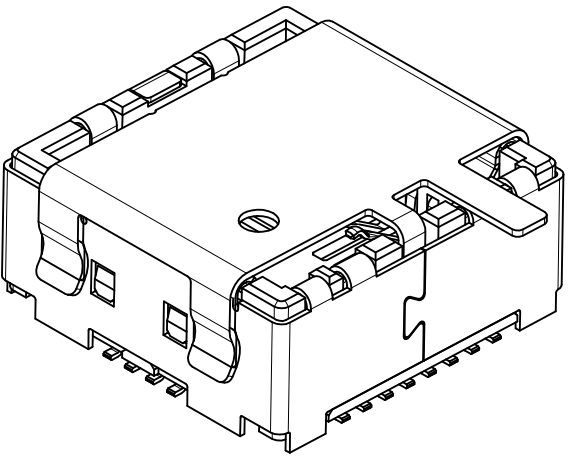
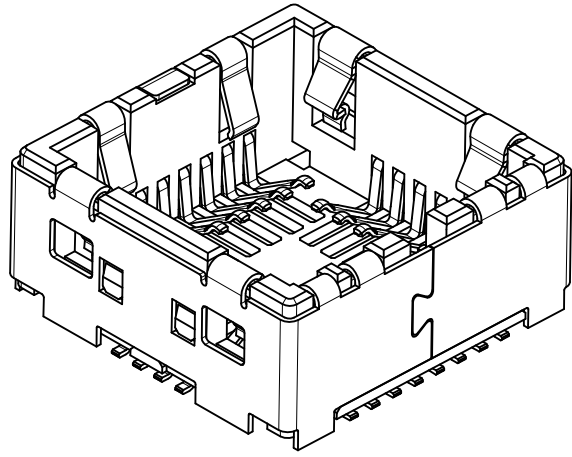
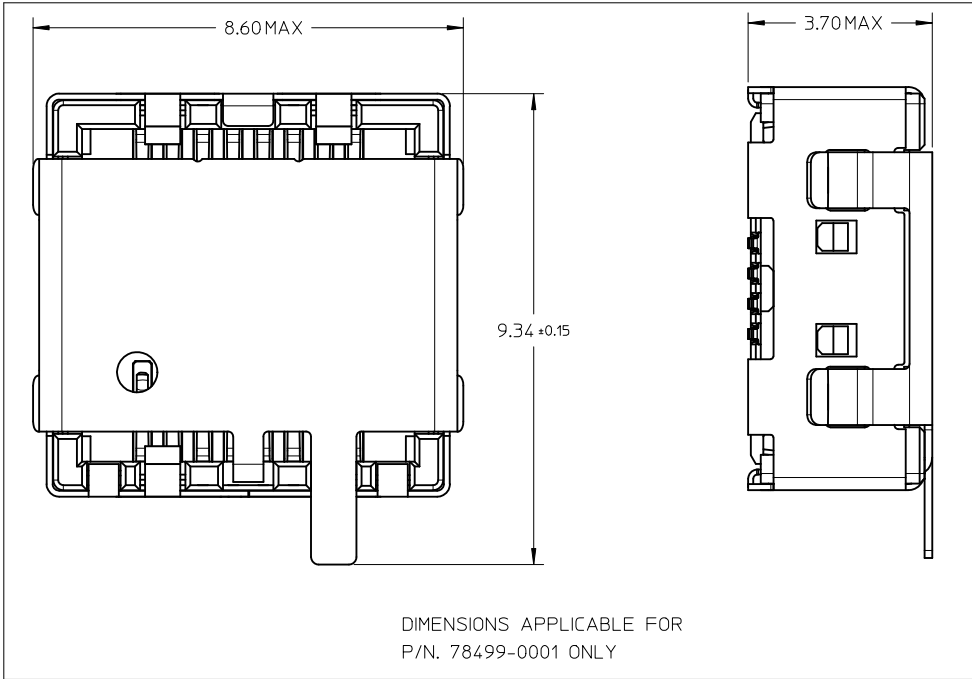


SECTION Z-Z

NOTES:

- MATERIALS
HOUSING: HIGH TEMPERATURE PLASTIC, BLACK
TERMINAL: COPPER ALLOY.
SHIELD : COPPER ALLOY.
- FINISHES
SHIELD : SOLDERABLE NICKEL PLATING OVERALL
TERMINAL: NICKEL UNDERPLATING 1.0 MICROMETER MIN OVERALL
GOLD PLATING 0.3 MICROMETER MIN ON CONTACT AREA
GOLD PLATING 0.02 MICROMETER MIN ON SOLDER TAIL
- PRODUCT SPECIFICATION : PS-78499-001
- PACKAGING : TAPE AND REEL. REFER TO PK-78499-001
- OVERALL COPLANARITY TO BE 0.10 MM MAX

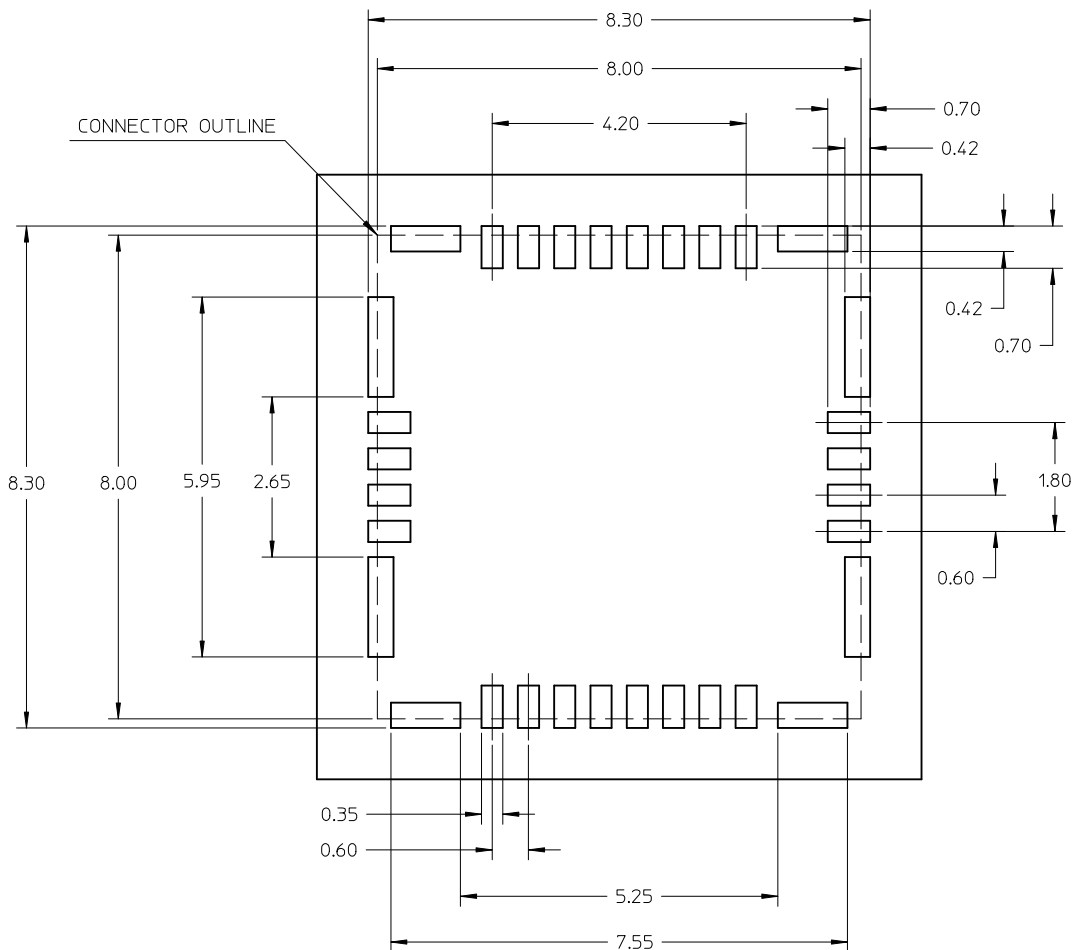
CORRECT GEN TOL EC NO: S2010-0926 DRW:DWLEED1 2010/04/23 CHKD:CGTAN 2009/06/30 APPR:SHLENI 2010/05/21	QUALITY SYMBOLS $\nabla_A=0$ $\nabla_C=0$ $\nabla_B=0$	GENERAL TOLERANCES (UNLESS SPECIFIED)		DIMENSION STYLE	SCALE	DESIGN UNITS	THIRD ANGLE PROJECTION	
				MM ONLY	NTS	METRIC		
		mm	INCH	DRAWN BY	DATE	TITLE		
		4 PLACES ± ---	± ---	CMTEO	2009/03/31	6.5*6.5 CAMERA SOCKET SMT BOTTOM CONTACT TYPE		
3 PLACES ± ---	± ---	CHECKED BY	DATE	MOLEX INCORPORATED				
2 PLACES ± 0.15	± ---	CGTAN	2009/06/30					
1 PLACE ± ---	± ---	APPROVED BY	DATE	DOCUMENT NO.				
ANGULAR ± 1 °		SHLENI	2010/05/21	SD-78499-001				
DRAFT WHERE APPLICABLE MUST REMAIN WITHIN DIMENSIONS		SEE TABLE		SHEET NO.				
		SIZE	THIS DRAWING CONTAINS INFORMATION THAT IS PROPRIETARY TO MOLEX INCORPORATED AND SHOULD NOT BE USED WITHOUT WRITTEN PERMISSION					
A2	REV	A3	1 OF 4					



PART NO.	CAP CONFIGURATION	PACKAGING
78499-0001	WITH PICK AND PLACE CAP	TAPE AND REEL
78499-0002	WITHOUT PICK AND PLACE CAP	

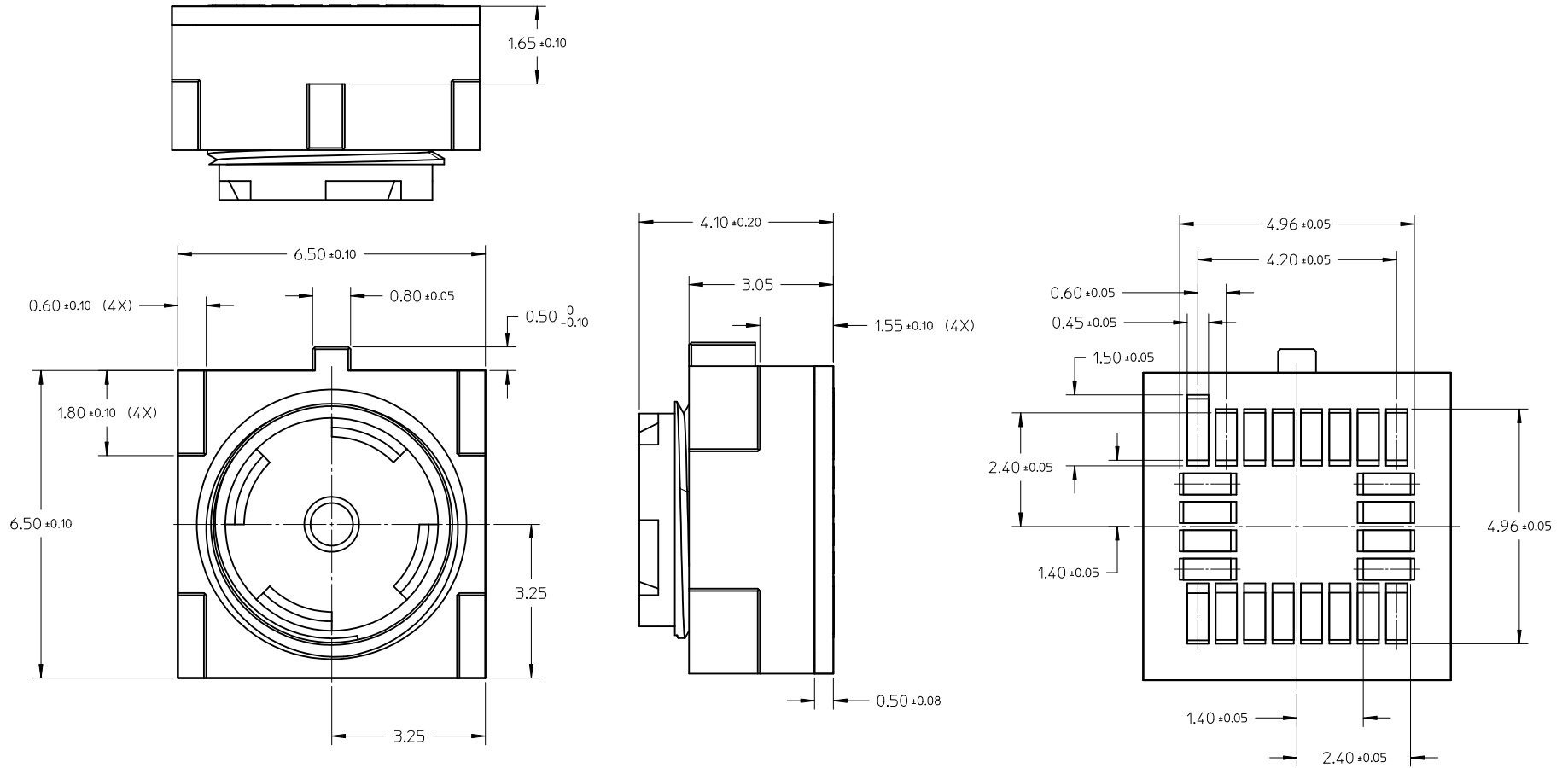
CORRECT GEN TOL EC NO: S2010-0926 DRW:DWLEED1 2010/04/23 CHKD:CGTAN 2009/06/30 APPR:SHLENI 2010/05/21	QUALITY SYMBOLS $\nabla_A = 0$ $\nabla_C = 0$ $\nabla_P = 0$	GENERAL TOLERANCES (UNLESS SPECIFIED) <table border="1"> <thead> <tr> <th></th> <th>mm</th> <th>INCH</th> </tr> </thead> <tbody> <tr> <td>4 PLACES</td> <td>± ---</td> <td>± ---</td> </tr> <tr> <td>3 PLACES</td> <td>± ---</td> <td>± ---</td> </tr> <tr> <td>2 PLACES</td> <td>± 0.15</td> <td>± ---</td> </tr> <tr> <td>1 PLACE</td> <td>± ---</td> <td>± ---</td> </tr> </tbody> </table> ANGULAR ± 1 °		mm	INCH	4 PLACES	± ---	± ---	3 PLACES	± ---	± ---	2 PLACES	± 0.15	± ---	1 PLACE	± ---	± ---	DIMENSION STYLE MM ONLY DRAWN BY: CMTEO DATE: 2009/03/31 CHECKED BY: CGTAN DATE: 2009/06/30 APPROVED BY: SHLENI DATE: 2010/05/21	SCALE NTS DESIGN UNITS METRIC THIRD ANGLE PROJECTION	TITLE 6.5*6.5 CAMERA SOCKET SMT BOTTOM CONTACT TYPE
		mm	INCH																	
	4 PLACES	± ---	± ---																	
	3 PLACES	± ---	± ---																	
2 PLACES	± 0.15	± ---																		
1 PLACE	± ---	± ---																		
DRAFT WHERE APPLICABLE MUST REMAIN WITHIN DIMENSIONS	MATERIAL NO. SEE TABLE	DOCUMENT NO. SD-78499-001	SHEET NO. 2 OF 4																	
SIZE A3	THIS DRAWING CONTAINS INFORMATION THAT IS PROPRIETARY TO MOLEX INCORPORATED AND SHOULD NOT BE USED WITHOUT WRITTEN PERMISSION																			

RECOMMENDED PCB LAYOUT



CORRECT GEN TOL EC NO: S2010-0926 DRW:DMLEE01 2010/04/23 CHKD:CGTAN 2009/06/30 APPR:SHLENI 2010/05/21	QUALITY SYMBOLS $F_A=0$ $F_G=0$ $F_P=0$	GENERAL TOLERANCES (UNLESS SPECIFIED) <table border="1"> <thead> <tr> <th></th> <th>mm</th> <th>INCH</th> </tr> </thead> <tbody> <tr> <td>4 PLACES</td> <td>± ---</td> <td>± ---</td> </tr> <tr> <td>3 PLACES</td> <td>± ---</td> <td>± ---</td> </tr> <tr> <td>2 PLACES</td> <td>± 0.15</td> <td>± ---</td> </tr> <tr> <td>1 PLACE</td> <td>± ---</td> <td>± ---</td> </tr> </tbody> </table>		mm	INCH	4 PLACES	± ---	± ---	3 PLACES	± ---	± ---	2 PLACES	± 0.15	± ---	1 PLACE	± ---	± ---	DIMENSION STYLE MM ONLY	SCALE NTS	DESIGN UNITS METRIC	THIRD ANGLE PROJECTION
		mm	INCH																		
	4 PLACES	± ---	± ---																		
	3 PLACES	± ---	± ---																		
2 PLACES	± 0.15	± ---																			
1 PLACE	± ---	± ---																			
REV A2	DRAFT WHERE APPLICABLE MUST REMAIN WITHIN DIMENSIONS	DRAWN BY CMTEO	DATE 2009/03/31	TITLE 6.5*6.5 CAMERA SOCKET SMT BOTTOM CONTACT TYPE																	
		CHECKED BY CGTAN	DATE 2009/06/30	MOLEX INCORPORATED																	
		APPROVED BY SHLENI	DATE 2010/05/21	MATERIAL NO. SEE TABLE	DOCUMENT NO. SD-78499-001	SHEET NO. 3 OF 4															

APPLICABLE CAMERA MODULE



CORRECT GEN TOL EC NO: S2010-0926 DRW: DMLEE01 CHKD: CGTAN APPR: SHLENI	2010/04/23 2009/06/30 2010/05/21	DESCRIPTION REV	QUALITY SYMBOLS	GENERAL TOLERANCES (UNLESS SPECIFIED)	DIMENSION STYLE	SCALE	DESIGN UNITS	THIRD ANGLE PROJECTION
			$\nabla_A = 0$ $\nabla_C = 0$ $\nabla_P = 0$	mm INCH 4 PLACES ± --- ± --- 3 PLACES ± --- ± --- 2 PLACES ± 0.15 ± --- 1 PLACE ± --- ± --- ANGULAR ± 1°	MM ONLY	NTS	METRIC	
				DRAWN BY: CMTEO DATE: 2009/03/31	TITLE: 6.5*6.5 CAMERA SOCKET SMT BOTTOM CONTACT TYPE			
				CHECKED BY: CGTAN DATE: 2009/06/30	APPROVED BY: SHLENI DATE: 2010/05/21			
A2			DRAFT WHERE APPLICABLE MUST REMAIN WITHIN DIMENSIONS	SEE TABLE	MATERIAL NO.	MOLEX INCORPORATED		SHEET NO.
					SIZE: A3	SD-78499-001		4 OF 4
					THIS DRAWING CONTAINS INFORMATION THAT IS PROPRIETARY TO MOLEX INCORPORATED AND SHOULD NOT BE USED WITHOUT WRITTEN PERMISSION			