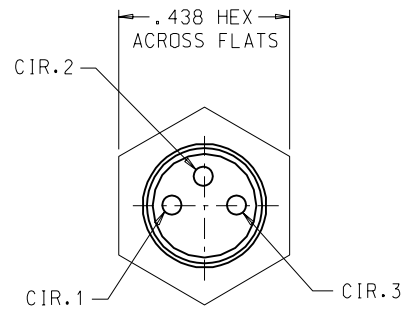
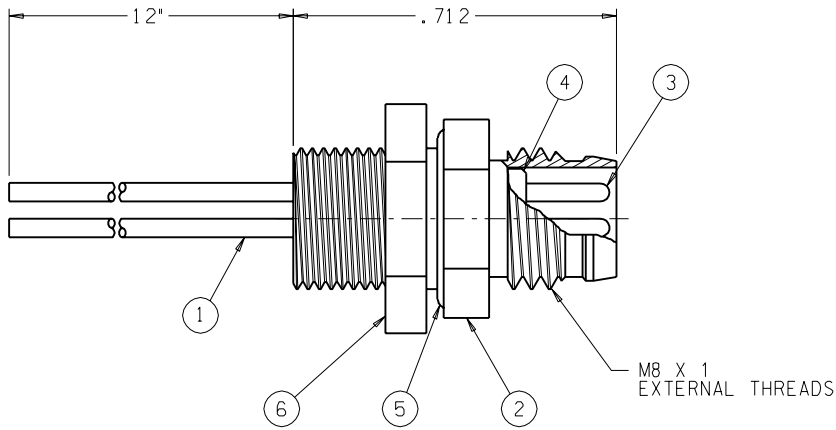


| REV | DATE     | ECN NO.                | APPVD BY | REL BY |
|-----|----------|------------------------|----------|--------|
| A   | 10-21-99 | UM2000-0305 PROD. REL. | FVM      |        |
| B   | 3-28-01  | UM2001-0272            |          |        |



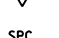


P1

|     |   |
|-----|---|
| BRN | 1 |
| BLK | 2 |
| BLU | 3 |

WIRING DIAGRAM

| ITEM | QTY       | DESCRIPTION        | MATERIAL/FINISH     |
|------|-----------|--------------------|---------------------|
| 6    | 1         | JAM NUT            | BRASS/NICKEL PLATED |
| 5    | 1         | O-RING             | BUNA-N              |
| 4    | 1         | INSERT, 3/C        | NYLON/COLOR:BLACK   |
| 3    | 3         | CONTACT, PIN       | BRASS/GOLD PLATED   |
| 2    | 1         | RECEPT. BODY, MALE | BRASS/NICKEL PLATED |
| 1    | SEE ABOVE | WIRE, 24 AWG.      | PVC INSULATED       |

|   |  |  |  |                  |
|---|--|--|--|------------------|
| <b>QUALITY SYMBOLS</b><br>MAJOR  =<br>CRITICAL  =<br>SPC  = | UNLESS SPECIFIED:<br>ALL DIMENSIONS IN INCHES<br><br>GENERAL TOLERANCES:<br>3 PLACE ±.005<br>2 PLACE ±.01<br>ANGULAR ±2°       | SCALE 4:1<br>DWG SIZE B<br>DRAWN BY & DATE GF 4-16-99<br>CHECKED BY & DATE SU 12-1-99<br>APPROVED BY & DATE DW 12-1-99 | THIRD ANGLE PROJECTION<br>REVISE ON CAD ONLY<br><br>TITLE: NANO-C, REAR-MOUNT, RECEPTACLE, MALE, 3 POLE, 24 AWG. |                  |
|   | Uti-Mate CAGE CODE 58967   | MOLEX INCORPORATED Orange, CA 92868  | PART NO. 845927100<br>DRAWING NO. SD-84592-7100  | SHEET NO. 1 OF 1 |
|   | THIS DRAWING CONTAINS INFORMATION THAT IS PROPRIETARY TO MOLEX INCORPORATED AND SHOULD NOT BE USED WITHOUT WRITTEN PERMISSION. |  |  | REV B            |