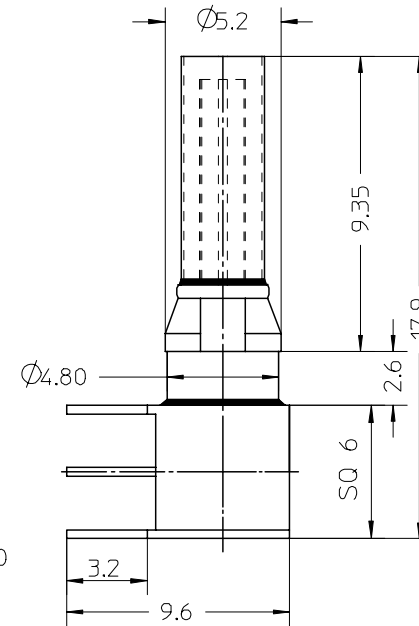
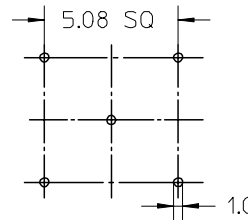
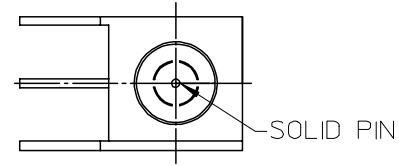


ELECTRICAL PROPERTIES

1. IMPEDANCE : 50 ohms
2. FREQUENCY RANGE : 0 TO 2 GHz
3. INSULATION RESISTANCE :  $10^6$  Ohms

PHYSICAL PROPERTIES

1. CONTACT : BRASS
2. SPRING : BERYLLIUM COPPER
3. INSULATORS : PTFE
4. FIXING CLIP : BERYLLIUM COPPER
5. PLATING : GOLD THICKNESS : CLASS 2 - 0.8 Microns
6. TEMPERATURE : -55 TO +125°C



EC NO: I2006-0131 DRWN:SSUDHIR 2005/12/21 CHKD:KPRASAD 2005/12/21 APPR:KPRASAD 2005/12/21	DESCRIPTION REV	QUALITY SYMBOLS	GENERAL TOLERANCES (UNLESS SPECIFIED)		DIMENSION STYLE MM ONLY		SCALE NTS	DESIGN UNITS METRIC	THIRD ANGLE PROJECTION																															
		▽=0 □=0	<table border="1"> <thead> <tr> <th></th> <th>mm</th> <th>INCH</th> </tr> </thead> <tbody> <tr> <td>4 PLACES</td> <td>±---</td> <td>±---</td> </tr> <tr> <td>3 PLACES</td> <td>±---</td> <td>±---</td> </tr> <tr> <td>2 PLACES</td> <td>±0.05</td> <td>±---</td> </tr> <tr> <td>1 PLACE</td> <td>±0.1</td> <td>±---</td> </tr> </tbody> </table>		mm	INCH	4 PLACES	±---	±---	3 PLACES	±---	±---	2 PLACES	±0.05	±---	1 PLACE	±0.1	±---	<table border="1"> <thead> <tr> <th></th> <th>mm</th> <th>INCH</th> </tr> </thead> <tbody> <tr> <td>4 PLACES</td> <td>±---</td> <td>±---</td> </tr> <tr> <td>3 PLACES</td> <td>±---</td> <td>±---</td> </tr> <tr> <td>2 PLACES</td> <td>±0.05</td> <td>±---</td> </tr> <tr> <td>1 PLACE</td> <td>±0.1</td> <td>±---</td> </tr> </tbody> </table>			mm	INCH	4 PLACES	±---	±---	3 PLACES	±---	±---	2 PLACES	±0.05	±---	1 PLACE	±0.1	±---	DRAWN BY SIVAKUMA	DATE 2005/02/17	TITLE HIGH FREQUENCY CONTACT RIGHT ANGLE MALE, 50 OHMS CLASS 2 AU		
			mm	INCH																																				
		4 PLACES	±---	±---																																				
3 PLACES	±---	±---																																						
2 PLACES	±0.05	±---																																						
1 PLACE	±0.1	±---																																						
	mm	INCH																																						
4 PLACES	±---	±---																																						
3 PLACES	±---	±---																																						
2 PLACES	±0.05	±---																																						
1 PLACE	±0.1	±---																																						
DRAFT WHERE APPLICABLE MUST REMAIN WITHIN DIMENSIONS		CHECKED BY SSUDHIR	DATE 2005/02/17	MOLEX INCORPORATED																																				
		ANGULAR ±---°		APPROVED BY SSUDHIR	DATE 2005/02/17	MATERIAL NO. 85023-0359	DOCUMENT NO. SD-85023-0359	SHEET NO. 1 OF 1																																
				THIS DRAWING CONTAINS INFORMATION THAT IS PROPRIETARY TO MOLEX INCORPORATED AND SHOULD NOT BE USED WITHOUT WRITTEN PERMISSION																																				