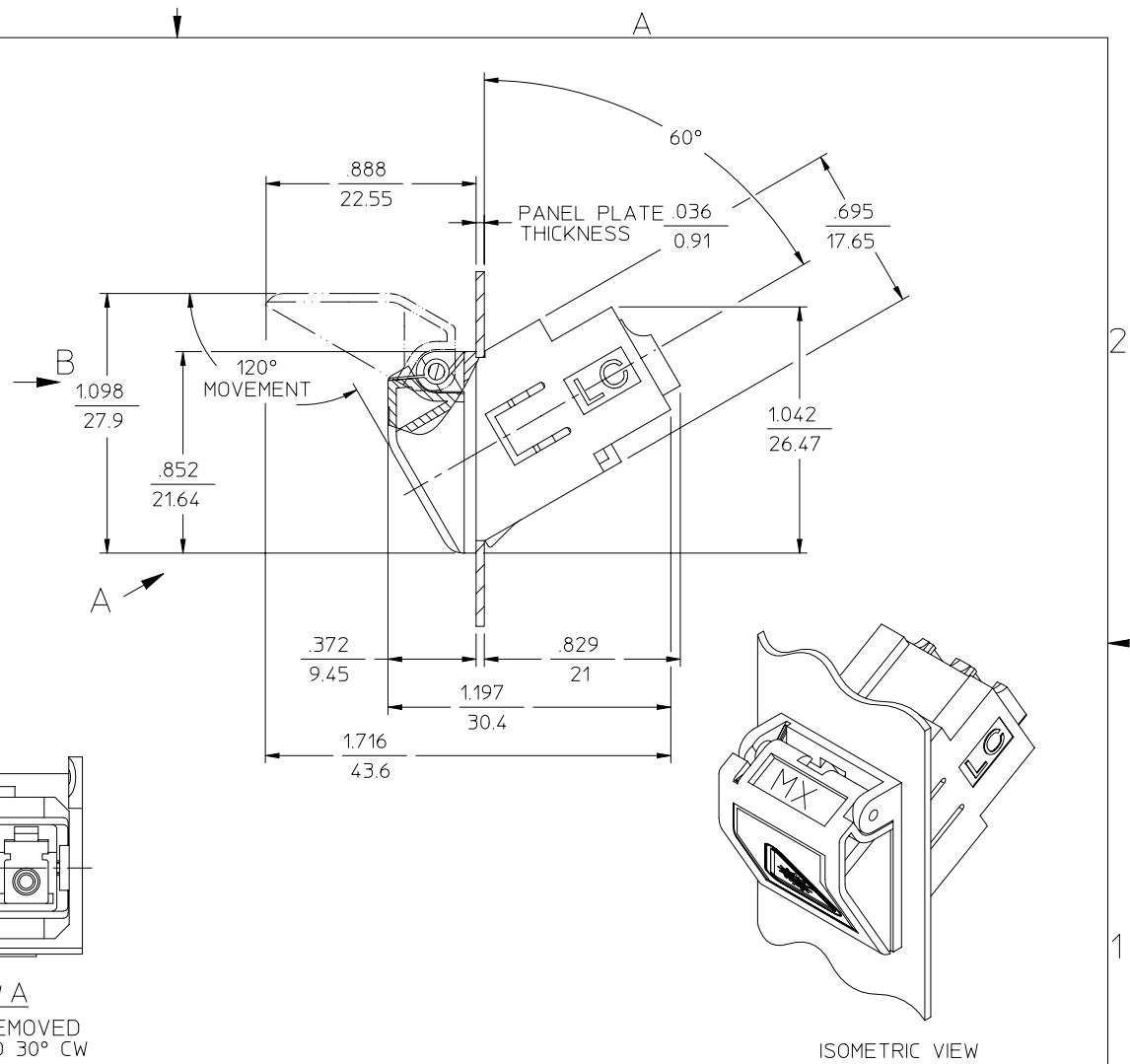
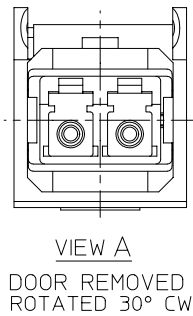
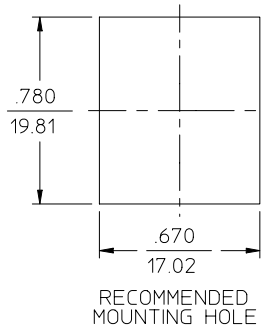
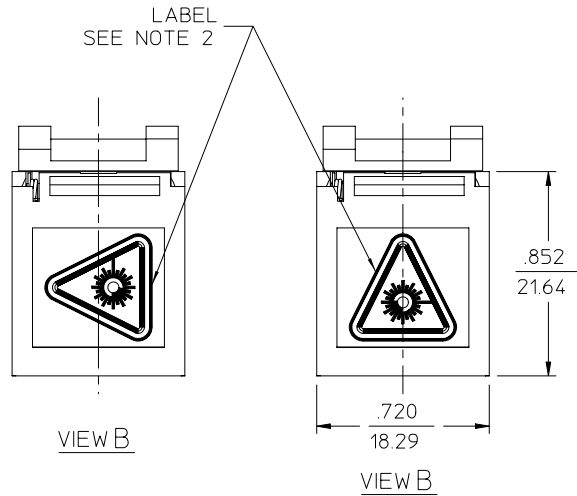


KIT P/N	SLEEVE MATERIAL
86004-3378	ZIRCONIA
86004-3379	PHOSPHOR BRONZE



NOTES:

- ALL DIMENSIONS ARE GIVEN IN $\frac{\text{INCHES}}{\text{mm}}$
- LABEL TO BE INSTALLED BY CUSTOMER.

RESTRICTED RELEASE
DRAWING MAY CHANGE WITHOUT
CUSTOMER NOTIFICATION

Fiber Optics Division Downers Grove, Illinois			
TITLE:	METALIZED LC BEZEL ADAPTER KITS	Size	Scale
Drawing No.	86004-337X CD	B	2:1
		REV. A	Sheet 1 of 1