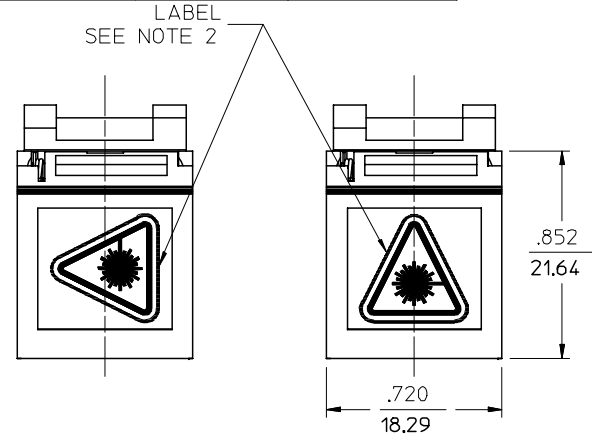
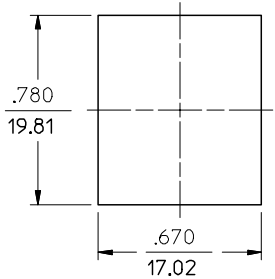


KIT P/N	BEZEL FRAME/DOOR COLOR	DOOR TYPE	SLEEVE MATERIAL
86004-3576	METAL/METAL	NO LOGO	ZIRCONIA
86004-3577			PHOSPHOR BRONZE
86004-3575	METAL/BLACK	MX LOGO	ZIRCONIA
86004-3578	METAL/METAL		PHOSPHOR BRONZE
86004-3579			PHOSPHOR BRONZE

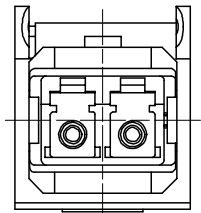


VIEW B

VIEW B

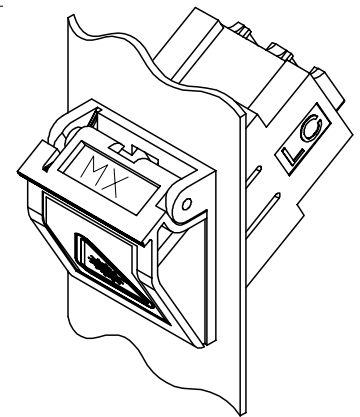
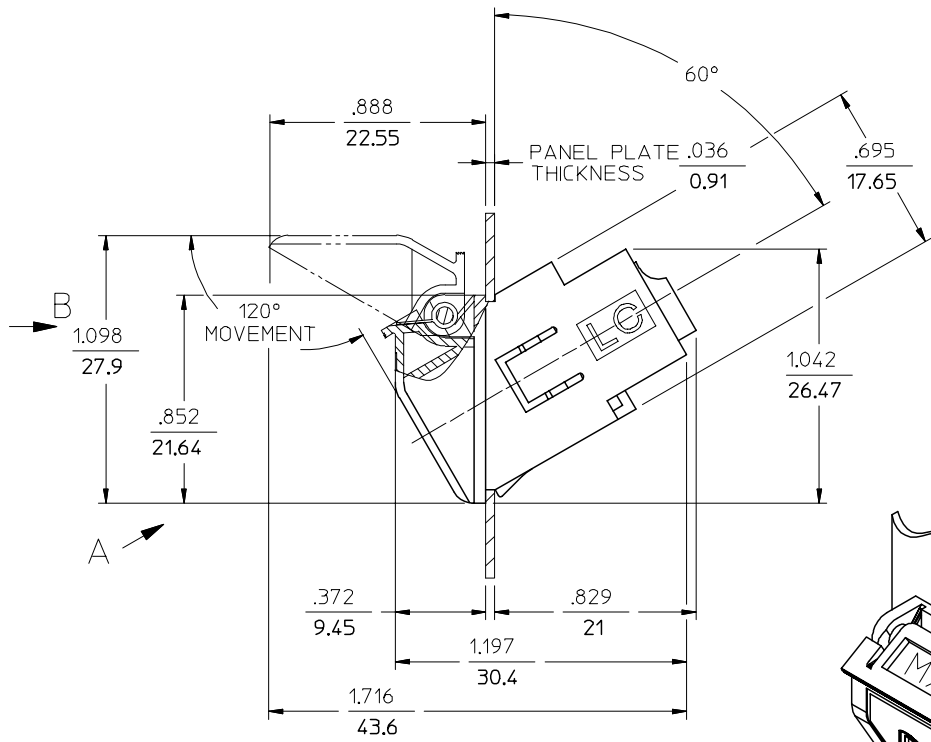


RECOMMENDED MOUNTING HOLE



VIEW A

DOOR REMOVED ROTATED 30° CW



ISOMETRIC VIEW

- NOTES:
- ALL DIMENSIONS ARE GIVEN IN  $\frac{\text{INCHES}}{\text{mm}}$
  - LABEL TO BE INSTALLED BY CUSTOMER.

ENTER DESCRIPTION EC NO: MF2004-0761 DRWN: IGUMIN CHKD: IGUMIN APPR: IGUMIN	2004/06/22 2004/06/22 2004/06/22	QUALITY SYMBOLS ▽=0 ▽=0	GENERAL TOLERANCES (UNLESS SPECIFIED)		DIMENSION STYLE	SCALE	DESIGN UNITS	THIRD ANGLE PROJECTION	
					IN/MM	2:1	INCH		
			4 PLACES	± ---	± ---	DRAWN BY	DATE		TITLE
			3 PLACES	± ---	± ---	J. MATASE			METALIZED LC BEZEL ADAPTER KITS WITH PUSH TAB
2 PLACES	± ---	± ---	CHECKED BY	DATE					
1 PLACE	± ---	± ---	APPROVED BY	DATE					
		ANGULAR ±1/2°	S. MIGO		MATERIAL NO.	DOCUMENT NO.		SHEET NO.	
		DRAFT WHERE APPLICABLE MUST REMAIN WITHIN DIMENSIONS	SEE TABLE		86004-357XCD			1 OF 1	
			SIZE	THIS DRAWING CONTAINS INFORMATION THAT IS PROPRIETARY TO MOLEX INCORPORATED AND SHOULD NOT BE USED WITHOUT WRITTEN PERMISSION					