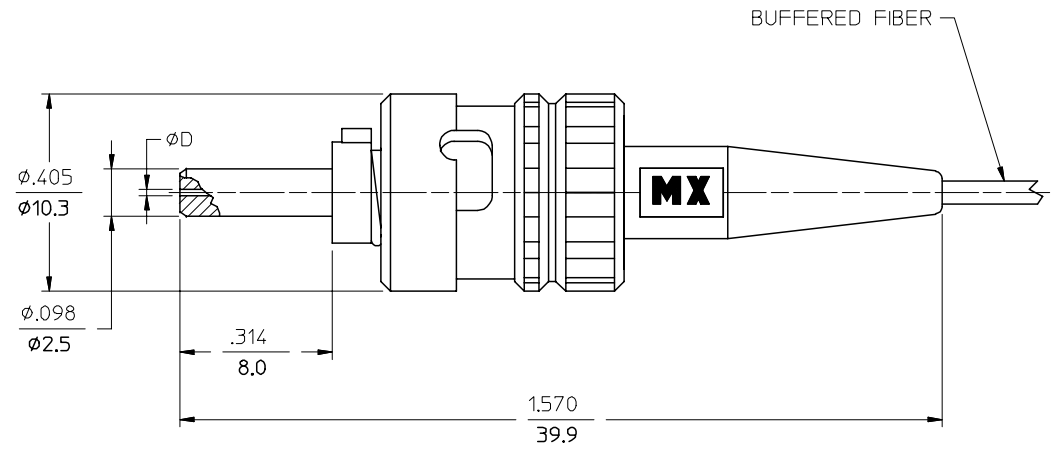


P/N of CONNECTOR	D (µm)	MATERIAL of FERRULE	COLOR of BOOT	COLOR of COUPLING NUT	CABLE TYPE
86010-0500	127	Zr PLUS	BLACK	BLACK	MULTIMODE
86010-0510*			RED		
86010-0540			ALMOND		
86010-0590	128	Zr	BLACK		
86010-3500			RED		
86010-3540			BLACK		
86010-5500	126	Zr	BLACK	SINGLE MODE	
86010-5540			RED		
86010-7500	127	METAL	BLACK	MULTIMODE	
86010-8500			RED		
86010-8540			ALMOND		
86011-0500	127	Zr PLUS	ALMOND	ALMOND	SINGLE MODE
86011-3500	128	Zr	ALMOND	ALMOND	
86011-5500	126				



NOTES:

- ALL DIMENSIONS ARE GIVEN IN  $\frac{\text{INCHES}}{\text{mm}}$ .
- \*2. P/N 86010-0510 IS BULK PACKED IN QUANTITIES OF 100 PCS.

ENTER DESCRIPTION EC NO: MF2005-0382 DRAWN: KPEVZNER CHKD: APPR: IGUMIN REV: G	DESCRIPTION 2005/02/08 2005/02/09 2005/03/17	QUALITY SYMBOLS	GENERAL TOLERANCES (UNLESS SPECIFIED)	DIMENSION STYLE	SCALE	DESIGN UNITS	THIRD ANGLE PROJECTION															
		$\nabla=0$ $\nabla=0$	<table border="1"> <thead> <tr> <th></th> <th>mm</th> <th>INCH</th> </tr> </thead> <tbody> <tr> <td>4 PLACES</td> <td>± ---</td> <td>± ---</td> </tr> <tr> <td>3 PLACES</td> <td>± ---</td> <td>± ---</td> </tr> <tr> <td>2 PLACES</td> <td>± ---</td> <td>± ---</td> </tr> <tr> <td>1 PLACE</td> <td>± ---</td> <td>± ---</td> </tr> </tbody> </table>		mm	INCH	4 PLACES	± ---	± ---	3 PLACES	± ---	± ---	2 PLACES	± ---	± ---	1 PLACE	± ---	± ---	IN/MM	4:1	INCH	
			mm	INCH																		
		4 PLACES	± ---	± ---																		
3 PLACES	± ---	± ---																				
2 PLACES	± ---	± ---																				
1 PLACE	± ---	± ---																				
DRAFT WHERE APPLICABLE MUST REMAIN WITHIN DIMENSIONS	DRAWN BY: _____ DATE: _____ CHECKED BY: _____ DATE: _____ APPROVED BY: _____ DATE: _____	TITLE	ST BARE FIBER CONNECTOR																			
			MATERIAL NO.	DOCUMENT NO.	SHEET NO.																	
			SEE TABLE	8601X-X5X0CD	1 OF 1																	
			SIZE B	THIS DRAWING CONTAINS INFORMATION THAT IS PROPRIETARY TO MOLEX INCORPORATED AND SHOULD NOT BE USED WITHOUT WRITTEN PERMISSION																		