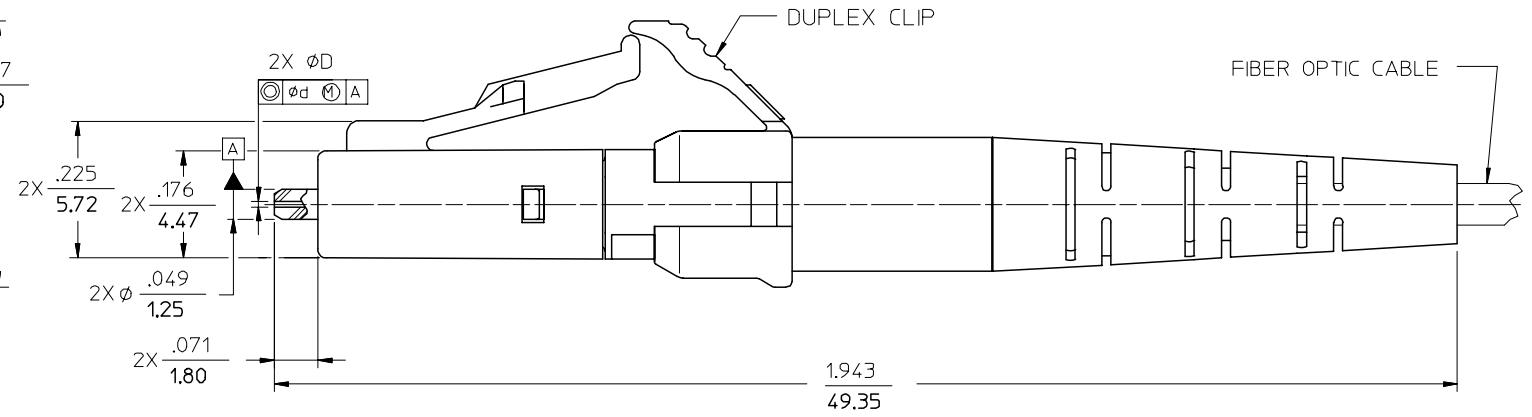
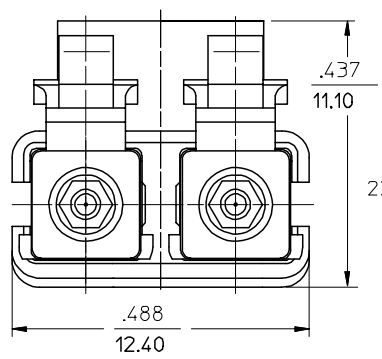


(DUST CAPS NOT SHOWN)



NOTES:

1. ALL DIMENSIONS ARE GIVEN IN $\frac{\text{INCHES}}{\text{mm}}$, UNLESS OTHERWISE SPECIFIED.
2. DUPLEX CLIP AND BOOTS SHOULD BE ASSEMBLED AFTER POLISHING OPERATION.
- *3. P/N 86025-3320 AND 86025-5320 ARE BULK PACKED.

ENTER DESCRIPTION EC NO: MF2005-0347 DRWN: LKATARZI 2004/12/07 CHKD: 2004/12/07 APPR: GUMIN 2004/12/07	QUALITY SYMBOLS ▽ = 0 ▽ = 0	GENERAL TOLERANCES (UNLESS SPECIFIED)		SCALE 4:1	DESIGN UNITS INCH	THIRD ANGLE PROJECTION	REVISE ON CAD ONLY	
		4 PLACES ± --- ± --- 3 PLACES ± --- ± --- 2 PLACES ± --- ± --- 1 PLACE ± --- ± ---	DIMENSION STYLE IN/MM	TITLE LC DUPLEX CONNECTOR				
		ANGULAR ±1/2°		DRAWN BY DATE	CHECKED BY DATE			
		DRAFT WHERE APPLICABLE MUST REMAIN WITHIN DIMENSIONS		APPROVED BY DATE	MATERIAL NO. SEE TABLE	DOCUMENT NO. 860DD-DDD0CD	SHEET NO. 1 OF 2	
THIS DRAWING CONTAINS INFORMATION THAT IS PROPRIETARY TO MOLEX INCORPORATED AND SHOULD NOT BE USED WITHOUT WRITTEN PERMISSION							MOLEX INCORPORATED	

86025

CONNECTOR P/N	∅D (µm)	∅d (µm)	CONNECTOR BODY COLOR	BOOT COLOR	CABLE DESCRIPTION & ∅ (mm)	CABLE TYPE
86025-2000	125.50	1.0	BLUE	WHITE	SIMPLEX 1.6	SINGLE MODE
86025-2300				BLACK	SIMPLEX 2.0 ZIPCORD 1.6	
86025-2310				RED		
86025-2350						
86025-3000	127.00	3.0	BEIGE	WHITE	SIMPLEX 1.6	MULTIMODE
86025-3300						
86025-3320*						
86025-3310				BLUE	SIMPLEX 2.0 ZIPCORD 1.6	
86025-3360				YELLOW		
86025-3370	BLACK					
86025-3390	GRAY					
86025-4000	125.00	1.0	BLUE	WHITE	SIMPLEX 1.6	SINGLE MODE
86025-4300					SIMPLEX 2.0 ZIPCORD 1.6	
86025-5000	126.00			WHITE	SIMPLEX 1.6	
86025-5300					SIMPLEX 2.0 ZIPCORD 1.6	
86025-5320*				BLUE		
86025-5310	125.25			WHITE	SIMPLEX 1.6	
86025-6000					SIMPLEX 2.0 ZIPCORD 1.6	
86025-6300				WHITE	SIMPLEX 2.0 ZIPCORD 1.6	

C

B

ENTER DESCRIPTION EC NO: MF2005-0347 DRWN: LKATARZI 2004/12/07 CHKD: 2004/12/07 APPR: GUMIN 2004/12/07	QUALITY SYMBOLS	GENERAL TOLERANCES (UNLESS SPECIFIED)		SCALE 4:1	DESIGN UNITS INCH	THIRD ANGLE PROJECTION	REVISE ON CAD ONLY	
	▽ = 0 ▽C = 0	4 PLACES	mm	INCH	DIMENSION STYLE IN/MM		TITLE LC DUPLEX CONNECTOR	
		3 PLACES	± ---	± ---	DRAWN BY	DATE		
		2 PLACES	± ---	± ---	CHECKED BY	DATE		
	1 PLACE	± ---	± ---	APPROVED BY		MATERIAL NO. MOLEX INCORPORATED		
		ANGULAR ±1/2°		DATE	DATE	DOCUMENT NO. 860DD-DDD0CD	SHEET NO. 2 OF 2	
		DRAFT WHERE APPLICABLE		THIS DRAWING CONTAINS INFORMATION THAT IS PROPRIETARY TO MOLEX INCORPORATED AND SHOULD NOT BE USED WITHOUT WRITTEN PERMISSION				
		MUST REMAIN WITHIN DIMENSIONS					B	