

13 12 11 10 9 8 7 6 5 4 3 2 1

J

I

H

G

F

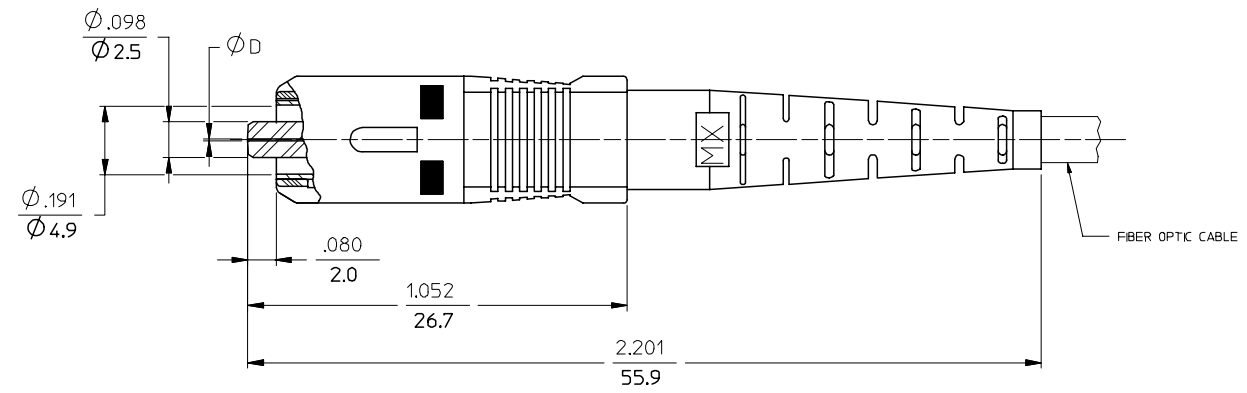
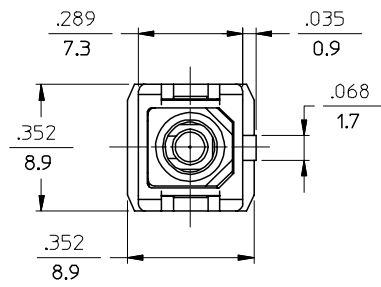
E

D

C

B

A



NOTES:
 1. ALL DIMENSIONS ARE FOR REFERENCE ONLY.
 *2. P/NS 86032-5020, 86032-5310, 86989-0101, AND 86989-0102 ARE BULK PACKED IN QUANTITIES OF 100 pcs.

ENTER DESCRIPTION EC NO: MF2007-0643 DRAWN BY: ZNER CHKD: 2007/05/10 APPR: GUMIN 2007/05/15 L1	QUALITY SYMBOLS ▽=0 ▽=0	GENERAL TOLERANCES (UNLESS SPECIFIED)		DIMENSION STYLE IN/MM		SCALE 4:1	DESIGN UNITS INCH	THIRD ANGLE PROJECTION																	
		<table border="1"> <thead> <tr> <th></th> <th>mm</th> <th>INCH</th> </tr> </thead> <tbody> <tr> <td>4 PLACES</td> <td>±----</td> <td>±----</td> </tr> <tr> <td>3 PLACES</td> <td>±----</td> <td>±----</td> </tr> <tr> <td>2 PLACES</td> <td>±----</td> <td>±----</td> </tr> <tr> <td>1 PLACE</td> <td>±----</td> <td>±----</td> </tr> </tbody> </table>			mm	INCH	4 PLACES	±----	±----	3 PLACES	±----	±----	2 PLACES	±----	±----	1 PLACE	±----	±----	DRAWN BY _____ DATE _____		TITLE SC CONNECTOR (TUNABLE)				
			mm	INCH																					
		4 PLACES	±----	±----																					
3 PLACES	±----	±----																							
2 PLACES	±----	±----																							
1 PLACE	±----	±----																							
ANGULAR ±1/2°		CHECKED BY _____ DATE _____		APPROVED BY _____ DATE _____		MOLEX INCORPORATED																			
DRAFT WHERE APPLICABLE MUST REMAIN WITHIN DIMENSIONS		MATERIAL NO. SEE TABLE		DOCUMENT NO. 86032-XXX0CD		SHEET NO. 1 OF 3																			

12 11 10 9 8 7 6 5 4 3 2 1

10	9	8	7	6	5	4	3	2	1		
CONNECTOR P/N	∅ (μm)	BOOT COLOR	HOUSING COLOR	CONNECTOR TYPE	CABLE (mm)	CONNECTOR P/N	∅ (μm)	BOOT COLOR	HOUSING COLOR	CONNECTOR TYPE	CABLE (mm)
86032-0000	127	BLUE	BLUE	MULTIMODE	3	86032-3000	128	BLUE	BLUE	MULTIMODE	3
86032-0900					2.0 & 1.6 DUPLEX	86032-3300					2.4
86032-0100					1.6 SIMPLEX	86032-3900					2.0 & 1.6 DUPLEX
86032-0050					3	86032-3100					1.6 SIMPLEX
86032-0950		WHITE	BEIGE		2.0 & 1.6 DUPLEX	86032-3060		3			
86032-0150					1.6 SIMPLEX	86032-3360		2.4			
86032-0060					3	86032-3960		2.0 & 1.6 DUPLEX			
86032-0360					2.4	86032-3160		1.6 SIMPLEX			
86032-0960		BEIGE	BEIGE		2.0 & 1.6 DUPLEX	86032-3050	3				
86989-0101*					1.6 SIMPLEX	86032-3950	2.0 & 1.6 DUPLEX				
86032-0160					3	86032-3150	1.6 SIMPLEX				
86989-0102*					2.0 & 1.6 DUPLEX	86032-3080	3				
86032-0080		RED	RED		3	86032-3980	2.0 & 1.6 DUPLEX				
86032-0980					2.0 & 1.6 DUPLEX	86032-3180	1.6 SIMPLEX				
86032-0180					1.6 SIMPLEX	86032-3070	3				
86032-0070					3	86032-3970	2.0 & 1.6 DUPLEX				
86032-0970	BLACK	BLACK	2.0 & 1.6 DUPLEX	86032-3170	1.6 SIMPLEX						
86032-0170			1.6 SIMPLEX								
86032-2000			YELLOW	BLUE	3						
86032-2900					2.0 & 1.6 DUPLEX						
86032-2100	1.6 SIMPLEX										
86032-2050	3										
86032-2950	WHITE	RED	2.0 & 1.6 DUPLEX								
86032-2150			1.6 SIMPLEX								
86032-2080			3								
86032-2980			2.0 & 1.6 DUPLEX								
86032-2180	RED	RED	1.6 SIMPLEX								
86032-2070			3								
86032-2970			2.0 & 1.6 DUPLEX								
86032-2170			1.6 SIMPLEX								
86032-2980	BLACK	BLACK	2.0 & 1.6 DUPLEX								
86032-2180			1.6 SIMPLEX								
86032-2070			3								
86032-2970			2.0 & 1.6 DUPLEX								
86032-2170	BLACK	BLACK	1.6 SIMPLEX								

ENTER DESCRIPTION EC NO: MF2007-0643 DRWNGKPEVNER 2007/05/10 CHKD: 2007/05/10 APPR: IGUMIN 2007/05/15	DESCRIPTION REV	QUALITY SYMBOLS ▽=0 ▽=0	GENERAL TOLERANCES (UNLESS SPECIFIED) <table border="1"> <tr> <th></th> <th>mm</th> <th>INCH</th> </tr> <tr> <td>4 PLACES</td> <td>± ---</td> <td>± ---</td> </tr> <tr> <td>3 PLACES</td> <td>± ---</td> <td>± ---</td> </tr> <tr> <td>2 PLACES</td> <td>± ---</td> <td>± ---</td> </tr> <tr> <td>1 PLACE</td> <td>± ---</td> <td>± ---</td> </tr> </table> ANGULAR ±1/2°		mm	INCH	4 PLACES	± ---	± ---	3 PLACES	± ---	± ---	2 PLACES	± ---	± ---	1 PLACE	± ---	± ---	DIMENSION STYLE IN/MM DRAWN BY _____ DATE _____ CHECKED BY _____ DATE _____ APPROVED BY _____ DATE _____	SCALE 4:1 DESIGN UNITS INCH	THIRD ANGLE PROJECTION
			mm	INCH																	
		4 PLACES	± ---	± ---																	
		3 PLACES	± ---	± ---																	
2 PLACES	± ---	± ---																			
1 PLACE	± ---	± ---																			
DRAFT WHERE APPLICABLE MUST REMAIN WITHIN DIMENSIONS			MATERIAL NO. SEE TABLE	TITLE SC CONNECTOR (TUNABLE)	MOLEX INCORPORATED	SHEET NO. 2 OF 3															
			SIZE B	THIS DRAWING CONTAINS INFORMATION THAT IS PROPRIETARY TO MOLEX INCORPORATED AND SHOULD NOT BE USED WITHOUT WRITTEN PERMISSION																	

10	9	8	7	6	5	4	3	2	1					
CONNECTOR P/N	Ø (µm)	BOOT COLOR	HOUSING COLOR	CONNECTOR TYPE	CABLE (mm)	CONNECTOR P/N	Ø (µm)	BOOT COLOR	HOUSING COLOR	CONNECTOR TYPE	CABLE (mm)			
86032-4000	125	YELLOW	BLUE	SINGLE MODE	3	86032-6000	125.5	YELLOW	BLUE	SINGLE MODE	3			
86032-4900					2.0 & 1.6 DUPLEX	86032-6300					2.4			
86032-4100					1.6 SIMPLEX	86032-6900					2.0 & 1.6 DUPLEX			
86032-4050					3	86032-6100					1.6 SIMPLEX			
86032-4950					WHITE	2.0 & 1.6 DUPLEX					86032-7000	3		
86032-4150						1.6 SIMPLEX					86032-7900	2.0 & 1.6 DUPLEX		
86032-4080		RED	RED		3	86032-7100	1.6 SIMPLEX							
86032-4980					2.0 & 1.6 DUPLEX	127	WHITE	BLUE	3					
86032-4180					1.6 SIMPLEX				86032-7050	2.0 & 1.6 DUPLEX				
86032-4070		3	86032-7950		1.6 SIMPLEX									
86032-4970		BLACK	BLACK		2.0 & 1.6 DUPLEX	86032-7150	3							
86032-4170					1.6 SIMPLEX	86032-7080	2.0 & 1.6 DUPLEX							
86032-5000	126	YELLOW	BLUE	SINGLE MODE	3	86032-7980	127	RED	RED	SINGLE MODE	2.0 & 1.6 DUPLEX			
86032-5020*					2.4	86032-7180					1.6 SIMPLEX			
86032-5300					WHITE	BLUE					2.0 & 1.6 DUPLEX	86032-7070	3	
86032-5310*											2.0 & 1.6 DUPLEX	BLACK	BLACK	2.0 & 1.6 DUPLEX
86032-5900											1.6 SIMPLEX			86032-7970
86032-5100					3	86032-7170					3			
86032-5050		RED	RED		2.0 & 1.6 DUPLEX	86032-7970	2.0 & 1.6 DUPLEX							
86032-5950					1.6 SIMPLEX	BLACK	BLACK	1.6 SIMPLEX						
86032-5150					3			86032-5170	2.0 & 1.6 DUPLEX					
86032-5080		2.0 & 1.6 DUPLEX	1.6 SIMPLEX											

B

ENTER DESCRIPTION EC NO: MF2007-0643 DRWNGKPEVNER 2007/05/10 CHKD: 2007/05/10 APPR: IGUMIN 2007/05/15 REV L1	QUALITY SYMBOLS ▽=0 ▽=0	GENERAL TOLERANCES (UNLESS SPECIFIED) <table border="1"> <thead> <tr> <th></th> <th>mm</th> <th>INCH</th> </tr> </thead> <tbody> <tr> <td>4 PLACES</td> <td>± ---</td> <td>± ---</td> </tr> <tr> <td>3 PLACES</td> <td>± ---</td> <td>± ---</td> </tr> <tr> <td>2 PLACES</td> <td>± ---</td> <td>± ---</td> </tr> <tr> <td>1 PLACE</td> <td>± ---</td> <td>± ---</td> </tr> </tbody> </table>		mm	INCH	4 PLACES	± ---	± ---	3 PLACES	± ---	± ---	2 PLACES	± ---	± ---	1 PLACE	± ---	± ---	DIMENSION STYLE IN/MM	SCALE 4:1	DESIGN UNITS INCH	THIRD ANGLE PROJECTION
		mm	INCH																		
	4 PLACES	± ---	± ---																		
	3 PLACES	± ---	± ---																		
2 PLACES	± ---	± ---																			
1 PLACE	± ---	± ---																			
		DRAWN BY _____ DATE _____ CHECKED BY _____ DATE _____ APPROVED BY _____ DATE _____	TITLE SC CONNECTOR (TUNABLE)																		
		MATERIAL NO. SEE TABLE	DOCUMENT NO. 86032-XXX0CD		SHEET NO. 3 OF 3																
		DRAFT WHERE APPLICABLE MUST REMAIN WITHIN DIMENSIONS																			

A