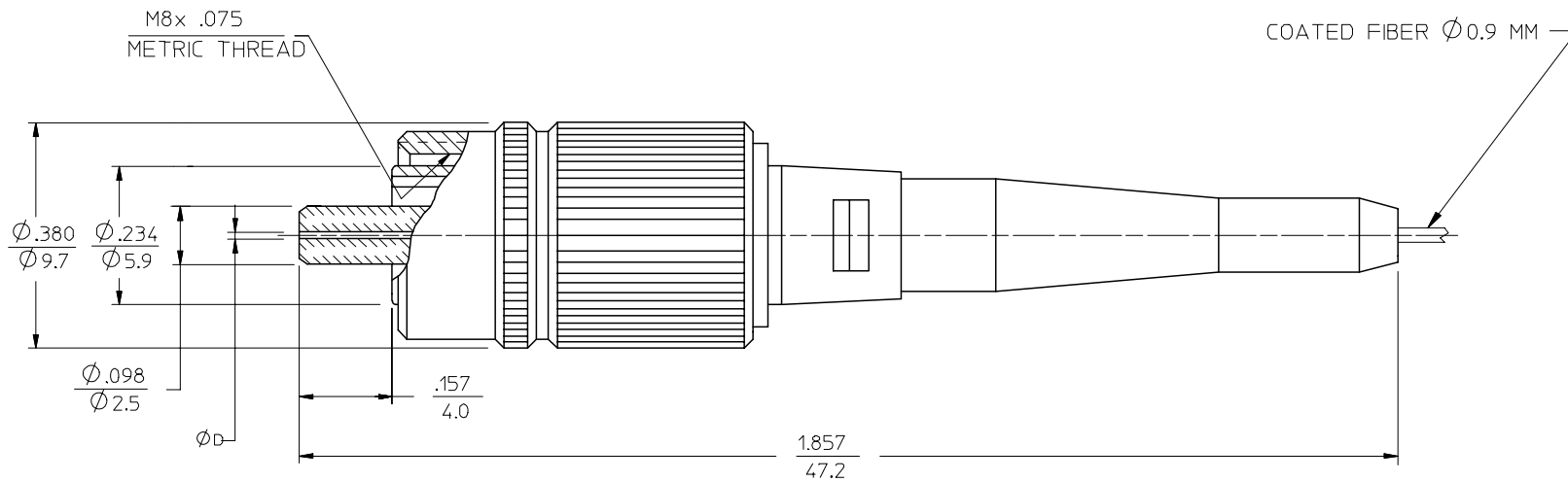


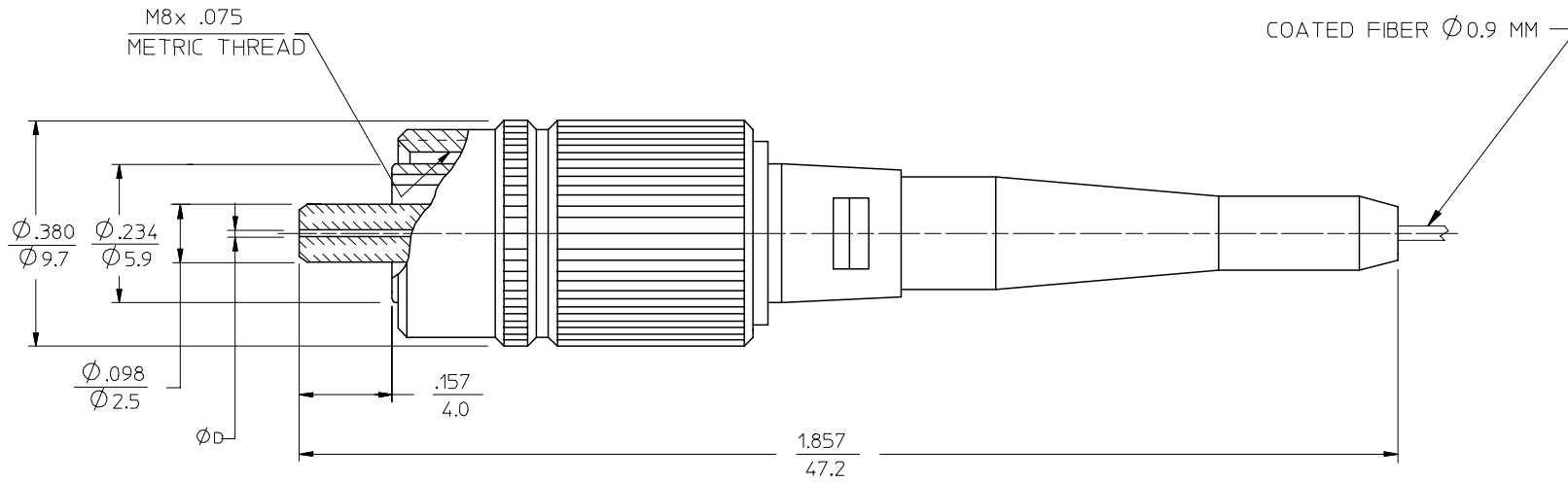
FCII CONNECTOR P/N	ØD (µm)	BOOT COLOR	CABLE TYPE
86053-0500	127	BLACK	MULTIMODE
86053-2500	125.5	YELLOW	SINGLE MODE
86053-2580	125.5	RED	
86053-3500	128	BLACK	MULTIMODE
86053-4500	125	YELLOW	SINGLE MODE
86053-5500	126		
86053-5580		RED	
86053-7500	127	YELLOW	



DUST CAP IS NOT SHOWN.

ENTER DESCRIPTION EC NO: MF2006-0143 DRWN: KATARZENE 2005/09/02 CHKD: 2005/09/02 APPR: IGUMIN 2005/09/06	QUALITY SYMBOLS ▽=0 ▽=0	GENERAL TOLERANCES (UNLESS SPECIFIED) <table border="1"> <thead> <tr> <th></th> <th>mm</th> <th>INCH</th> </tr> </thead> <tbody> <tr> <td>4 PLACES</td> <td>± ---</td> <td>± ---</td> </tr> <tr> <td>3 PLACES</td> <td>± ---</td> <td>± ---</td> </tr> <tr> <td>2 PLACES</td> <td>± ---</td> <td>± ---</td> </tr> <tr> <td>1 PLACE</td> <td>± ---</td> <td>± ---</td> </tr> </tbody> </table>		mm	INCH	4 PLACES	± ---	± ---	3 PLACES	± ---	± ---	2 PLACES	± ---	± ---	1 PLACE	± ---	± ---	DIMENSION STYLE IN/MM	SCALE 4:1	DESIGN UNITS INCH	THIRD ANGLE PROJECTION
		mm	INCH																		
	4 PLACES	± ---	± ---																		
	3 PLACES	± ---	± ---																		
2 PLACES	± ---	± ---																			
1 PLACE	± ---	± ---																			
		DRAWN BY _____ DATE _____ CHECKED BY _____ DATE _____ APPROVED BY _____ DATE _____	TITLE FC CONNECTOR (BARE FIBER)																		
		MATERIAL NO. SEE TABLE	DOCUMENT NO. 86053-X500CD																		
		DRAFT WHERE APPLICABLE MUST REMAIN WITHIN DIMENSIONS	SIZE B	THIS DRAWING CONTAINS INFORMATION THAT IS PROPRIETARY TO MOLEX INCORPORATED AND SHOULD NOT BE USED WITHOUT WRITTEN PERMISSION																	

FCII CONNECTOR P/N	ØD (µm)	BOOT COLOR	CABLE TYPE
86053-0500	127	BLACK	MULTIMODE
86053-2500	125.5	YELLOW	SINGLE MODE
86053-2580	125.5	RED	
86053-3500	128	BLACK	MULTIMODE
86053-4500	125	YELLOW	SINGLE MODE
86053-5500	126		
86053-5580		RED	
86053-7500	127	YELLOW	



DUST CAP IS NOT SHOWN.

ENTER DESCRIPTION EC NO: MF2006-0143 DRWN: KATARZIENE 2005/09/02 CHKD: 2005/09/02 APPR: IGUMIN 2005/09/06	QUALITY SYMBOLS ▽=0 ▽=0	GENERAL TOLERANCES (UNLESS SPECIFIED) <table border="1"> <thead> <tr> <th></th> <th>mm</th> <th>INCH</th> </tr> </thead> <tbody> <tr> <td>4 PLACES</td> <td>± ---</td> <td>± ---</td> </tr> <tr> <td>3 PLACES</td> <td>± ---</td> <td>± ---</td> </tr> <tr> <td>2 PLACES</td> <td>± ---</td> <td>± ---</td> </tr> <tr> <td>1 PLACE</td> <td>± ---</td> <td>± ---</td> </tr> </tbody> </table>		mm	INCH	4 PLACES	± ---	± ---	3 PLACES	± ---	± ---	2 PLACES	± ---	± ---	1 PLACE	± ---	± ---	DIMENSION STYLE IN/MM	SCALE 4:1	DESIGN UNITS INCH	THIRD ANGLE PROJECTION
		mm	INCH																		
	4 PLACES	± ---	± ---																		
	3 PLACES	± ---	± ---																		
2 PLACES	± ---	± ---																			
1 PLACE	± ---	± ---																			
		DRAWN BY _____ DATE _____ CHECKED BY _____ DATE _____ APPROVED BY _____ DATE _____	TITLE FC CONNECTOR (BARE FIBER)																		
		MATERIAL NO. SEE TABLE	DOCUMENT NO. 86053-X500CD																		
		DRAFT WHERE APPLICABLE MUST REMAIN WITHIN DIMENSIONS	SIZE B	THIS DRAWING CONTAINS INFORMATION THAT IS PROPRIETARY TO MOLEX INCORPORATED AND SHOULD NOT BE USED WITHOUT WRITTEN PERMISSION																	