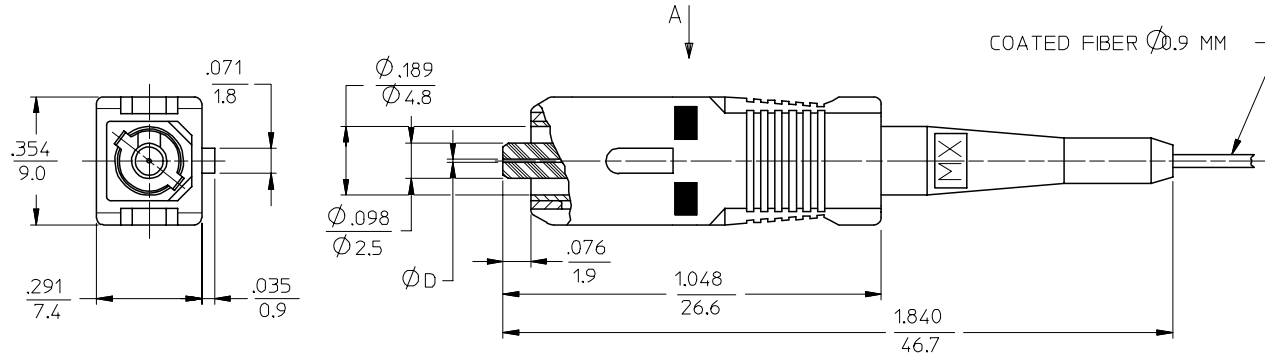
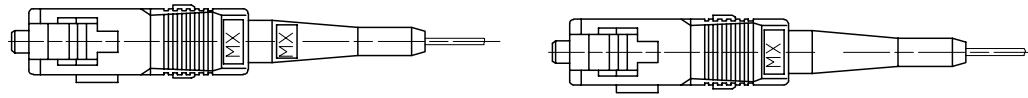


	13	12	11	10	9	8	7	6	5	4	3	2	1		
	WITH LOGO					WITHOUT LOGO									
J	CONNECTOR P/N	Ø (Hm)	FERRULE MATERIAL	BOOT COLOR	HOUSING COLOR	CONNECTOR TYPE	CONNECTOR P/N	Ø (Hm)	FERRULE MATERIAL	BOOT COLOR	HOUSING COLOR	CONNECTOR TYPE	J		
	86063-0510	127	Zr	AQUA	BEIGE	MULTIMODE	86094-0500	127	Zr	BLUE	BLUE	MULTIMODE			
	86063-0560			BEIGE			BEIGE			86094-0560	BEIGE		BEIGE		
	86063-0590*			BLACK	BLACK		86094-0570			BLACK	BLACK				
	86063-0570			RED	RED		86094-2500			YELLOW	BLUE		SINGLE MODE		
	86063-0580			BLACK	BLACK		86094-3500			BLUE	BLUE		MULTIMODE		
I	86063-2570	125.5		BLACK	BLACK	86094-3560	BEIGE	BEIGE							
	86063-2580	128		RED	RED	86094-3570	BLACK	BLACK							
	86063-3540*	128		BEIGE	BEIGE	MULTIMODE	86094-4500	125		YELLOW	BLUE	SINGLE MODE			
	86063-3560			BEIGE	BEIGE	MULTIMODE	86094-5500	126							
	86063-3570			BLACK	BLACK	MULTIMODE	86094-7500	127							
	86063-3580		RED	RED	MULTIMODE										
	86063-5570		126	BLACK	BLACK	SINGLE MODE									
H	86063-5580		RED	RED	SINGLE MODE								H		



NOTES:

- 1. ALL DIMENSIONS ARE FOR REFERENCE ONLY.
- *2. P/N 86063-0590, P/N 86063-5590 AND P/N 86063-3540 ARE BULK PACKED IN QUANTITIES OF 100PCS.

ENTER DESCRIPTION FCC NO: MF2007-0643 DRAWN/REV: ZNER CHKD: 2007/05/10 APPR: JGUMIN 2007/05/15 M1	QUALITY SYMBOLS ▽=0 ▽=0	GENERAL TOLERANCES (UNLESS SPECIFIED)		DIMENSION STYLE		SCALE	DESIGN UNITS	THIRD ANGLE PROJECTION			
				IN/MM		4:1	INCH	SC BARE FIBER CONNECTOR			
		4 PLACES ± --- ± ---		DRAWN BY		DATE		TITLE			
		3 PLACES ± --- ± ---		CHECKED BY		DATE		MOLEX INCORPORATED			
2 PLACES ± --- ± ---		APPROVED BY		DATE		MATERIAL NO.		DOCUMENT NO.		SHEET NO.	
1 PLACE ± --- ± ---		ANGULAR ±1/2°		SEE TABLE		86063-X5X0CD		1 OF 1			
DRAFT WHERE APPLICABLE MUST REMAIN WITHIN DIMENSIONS		THIS DRAWING CONTAINS INFORMATION THAT IS PROPRIETARY TO MOLEX INCORPORATED AND SHOULD NOT BE USED WITHOUT WRITTEN PERMISSION									