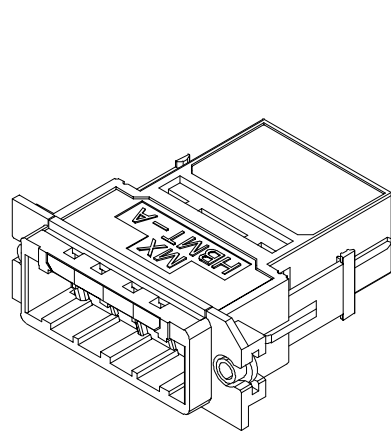
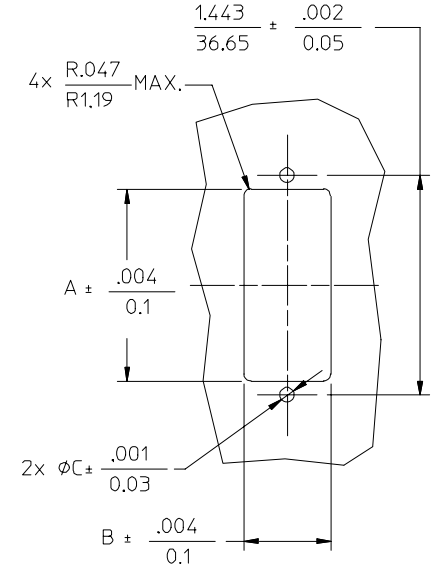
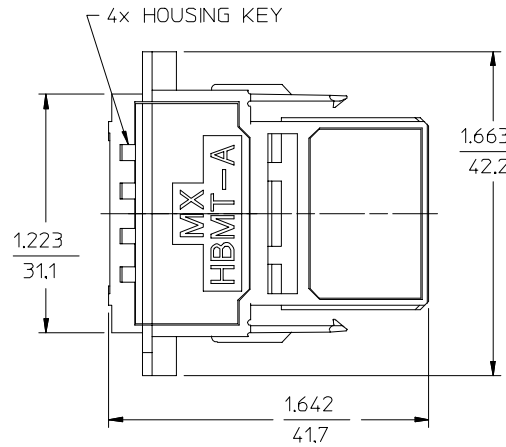
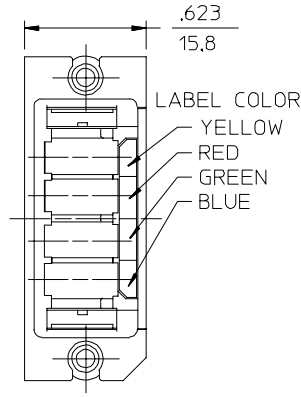


| ADAPTER P/N | MOUNTING | FLOAT | PLATING | A | B | C | D WHEN E<.158 (4) | D WHEN E>.158 (4) | MATES WITH DAUGHTER CARD CONNECTOR P/N | BACKPLANE MATERIAL |
|-------------|----------|-------|---------|---------------|--------------|-------------|-------------------|-------------------|--|--------------------|
| 86105-0000 | RIVET | YES | NO | 1.263 (32.08) | .570 (14.48) | .095 (2.41) | .367 (9.32)-E | .209 (5.31) | 86105-0100, 86105-1100, 86105-2100 | ANY |
| 86105-1000 | SCREW | YES | NO | 1.263 (32.08) | .570 (14.48) | .090 (2.29) | .417 (10.59)-E | .259 (6.58) | 86105-0100, 86105-1100, 86105-2100 | NON-METALLIC |
| 86105-1001 | SCREW | YES | NO | 1.263 (32.08) | .570 (14.48) | .090 (2.29) | .417 (10.59)-E | .259 (6.58) | 86105-0100, 86105-1100, 86105-2100 | ANY |
| 86105-2200 | SCREW | NO | YES | 1.233 (31.32) | .540 (13.72) | .090 (2.29) | .417 (10.59)-E | .259 (6.58) | 86105-2300 | ANY |
| 86105-2000 | SCREW | NO | NO | 1.233 (31.32) | .540 (13.72) | .090 (2.29) | .417 (10.59)-E | .259 (6.58) | 86105-2100 | ANY |



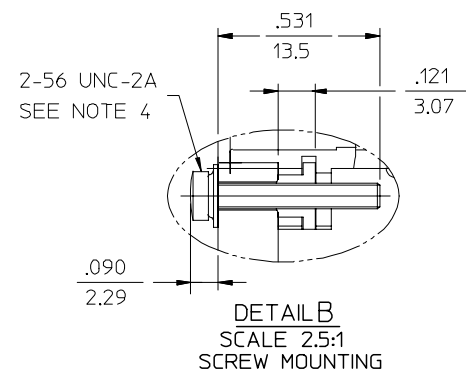
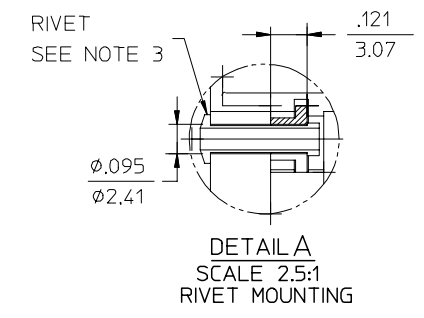
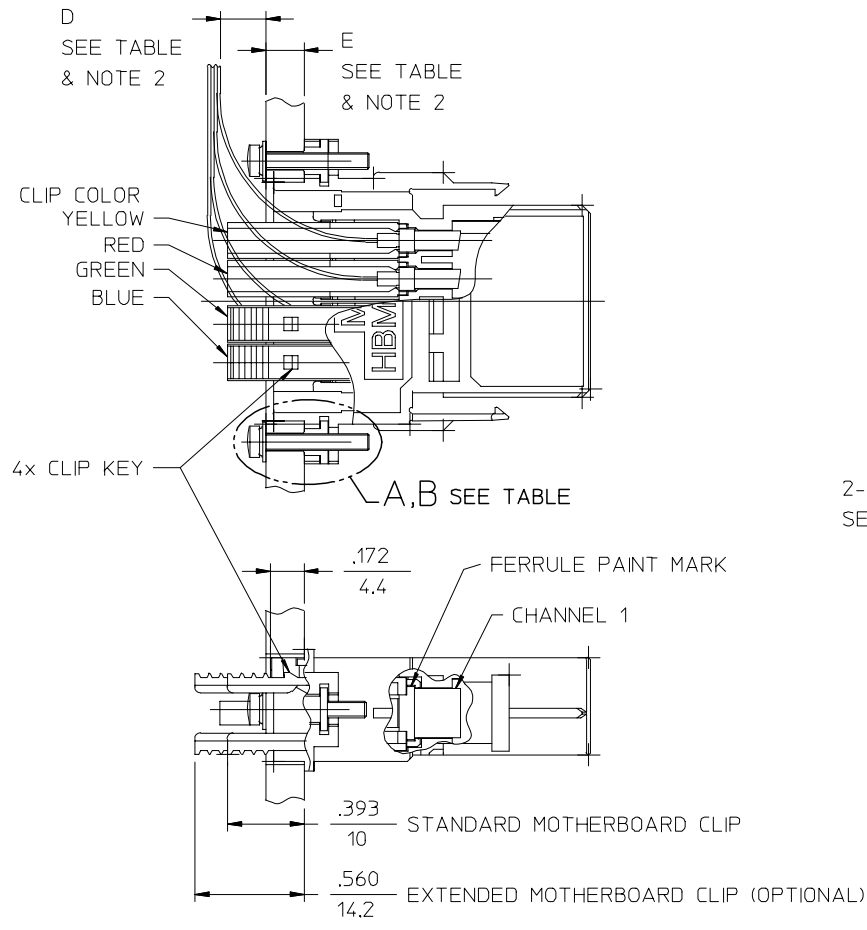
ISOMETRIC VIEW



NOTES:

- ALL DIMENSIONS ARE GIVEN IN $\frac{\text{INCHES}}{\text{mm}}$ OR INCHES (mm).
- WHEN DIMENSION E IS GREATER THAN .158 (4), MOTHERBOARD MAY BE RECESSED FOR SCREW HEAD TO REDUCE DIMENSION D.
- RIVETS NOT INCLUDED WITH ADAPTER.
- SCREWS ARE INCLUDED WITH ADAPTER AND ARE INSTALLED BY USER.
 RECOMMENDED TORQUE: 2.5 TO 4 INLBS (0.28 TO 0.45 N.m) DEPENDING ON SUBSTRATE MATERIAL AND SCREW TYPE. USER IS ENCOURAGED TO DETERMINE THE PROPER TORQUE TO USE BY TRIAL (SEE MACHINERY'S HANDBOOK FOR PROCEDURE).
- ASSEMBLY TOOL (MOLEX P/N 86902-1400) IS REQUIRED TO MOUNT ADAPTER P/N 86105-1001 TO BACKPLANE.

| | | | | | | | | |
|---|-------------------------------|---------------------------------------|--------------------|-------------------------------|---|----------------------------|--------------------------------|--|
| EC NO: MF2003-0704 DRW/KPEVZNEZ03/03/06 CHKD: YCHEN 2003/03/06 APPR: IMAKHLIN 2003/03/07 | QUALITY SYMBOLS | GENERAL TOLERANCES (UNLESS SPECIFIED) | | SCALE 2:1 | DESIGN UNITS INCH | THIRD ANGLE PROJECTION | REVISE ON CAD ONLY | |
| | DESCRIPTION ▽ = 0 ◁ = 0 | | mm | INCH | DIMENSION STYLE IN/MM | | TITLE HBMT MOTHERBOARD ADAPTER | |
| | | 4 PLACES | ± --- | ± --- | DRAWN BY TGREGORI | DATE 2002/09/18 | MOLEX INCORPORATED | |
| | | 3 PLACES | ± --- | ± --- | CHECKED BY VCHEN | DATE 2002/09/19 | | |
| 2 PLACES | ± --- | ± --- | APPROVED BY IGUMIN | DATE 2002/09/23 | MATERIAL NO. | DOCUMENT NO. SD-86105-100X | SHEET NO. 1 OF 2 | |
| 1 PLACE | ± --- | ± --- | ANGULAR ± 1 ° | | THIS DRAWING CONTAINS INFORMATION THAT IS PROPRIETARY TO MOLEX INCORPORATED AND SHOULD NOT BE USED WITHOUT WRITTEN PERMISSION | | | |
| | | DRAFT WHERE APPLICABLE | | MUST REMAIN WITHIN DIMENSIONS | | | | |



| | | | | | | | |
|---|-----------------------------------|---|--------------------------|-----------------------------------|---|------------------------|--------------------|
| EC NO: MF2003-0704 DRW/KPEVZNE#2003/03/06 CHKD: VCHEN 2003/03/06 APPR: IMAKHLIN 2003/03/07 | QUALITY SYMBOLS ▽ = 0 ▽ = 0 | GENERAL TOLERANCES (UNLESS SPECIFIED) | | SCALE 2:1 | DESIGN UNITS INCH | THIRD ANGLE PROJECTION | REVISE ON CAD ONLY |
| | | 4 PLACES ± --- ± --- 3 PLACES ± --- ± --- 2 PLACES ± --- ± --- 1 PLACE ± --- ± --- | DIMENSION STYLE IN/MM | TITLE HBMT MOTHERBOARD ADAPTER | | | |
| | | ANGULAR ± 1 ° | DRAWN BY TGREGORI | DATE 2002/09/18 | MOLEX INCORPORATED | | |
| | | DRAFT WHERE APPLICABLE MUST REMAIN WITHIN DIMENSIONS | CHECKED BY VCHEN | DATE 2002/09/19 | MATERIAL NO. DOCUMENT NO. SD-86105-100X | | |
| A1 | REV | | | SHEET NO. 2 OF 2 | THIS DRAWING CONTAINS INFORMATION THAT IS PROPRIETARY TO MOLEX INCORPORATED AND SHOULD NOT BE USED WITHOUT WRITTEN PERMISSION | | |