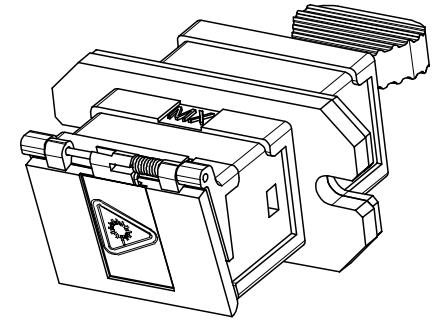
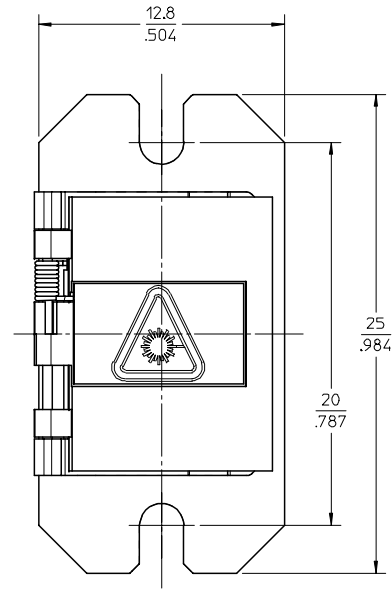
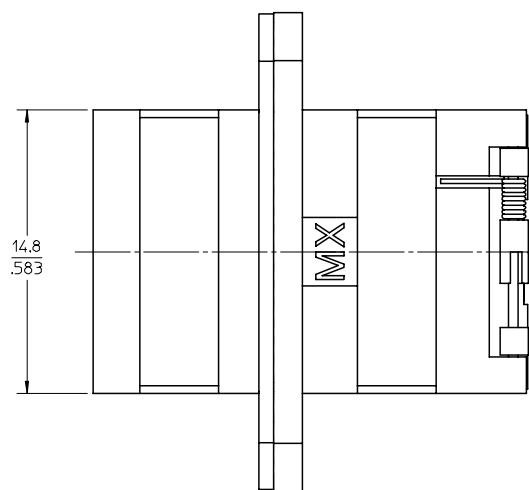
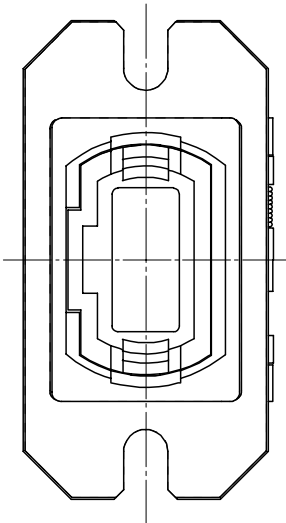


RECOMMENDED MOUNTING PATTERN



NOTES:

1. SILICONE GASKET WITH Ag/AI FILLER (SHOWN COMPRESSED) IS SUPPLIED WITH THE PART.
2. OUTER SHELL OF PART IS DIECAST.
3. DUST CAP SHOWN ONLY IN ISOMETRIC VIEW.
4. ADAPTERS TO BE PACKAGED IN TRAY.

EC NO: MF2006-0232 DRWN: SMGO 2005/10/11 CHKD: 2005/10/11 APPR: GUMIN 2005/11/28	QUALITY SYMBOLS	GENERAL TOLERANCES (UNLESS SPECIFIED)	SCALE 4:1	DESIGN UNITS METRIC	THIRD ANGLE PROJECTION	REVISE ON CAD ONLY															
	▼ = 0 ∇ = 0	<table border="1"> <thead> <tr> <th></th> <th>mm</th> <th>INCH</th> </tr> </thead> <tbody> <tr> <td>4 PLACES</td> <td>± .005</td> <td>± .0004</td> </tr> <tr> <td>3 PLACES</td> <td>± .005</td> <td>± .0004</td> </tr> <tr> <td>2 PLACES</td> <td>± 0.10</td> <td>± .004</td> </tr> <tr> <td>1 PLACE</td> <td>± 0.10</td> <td>± .004</td> </tr> </tbody> </table>		mm	INCH	4 PLACES	± .005	± .0004	3 PLACES	± .005	± .0004	2 PLACES	± 0.10	± .004	1 PLACE	± 0.10	± .004	DIMENSION STYLE MM/IN	TITLE	MPO EMI ADAPTER, FLANGE FLANGE	
			mm	INCH																	
	4 PLACES	± .005	± .0004																		
3 PLACES	± .005	± .0004																			
2 PLACES	± 0.10	± .004																			
1 PLACE	± 0.10	± .004																			
	ANGULAR ±1/2°	DRAFT WHERE APPLICABLE MUST REMAIN WITHIN DIMENSIONS	DRAWN BY JMATASEK DATE 2001/12/13 CHECKED BY DZILAGYI DATE 2002/03/25	MOLEX INCORPORATED MATERIAL NO. 86114-1100 DOCUMENT NO. SD-86114-1100 SHEET NO. 1 OF 1																	
			THIS DRAWING CONTAINS INFORMATION THAT IS PROPRIETARY TO MOLEX INCORPORATED AND SHOULD NOT BE USED WITHOUT WRITTEN PERMISSION																		