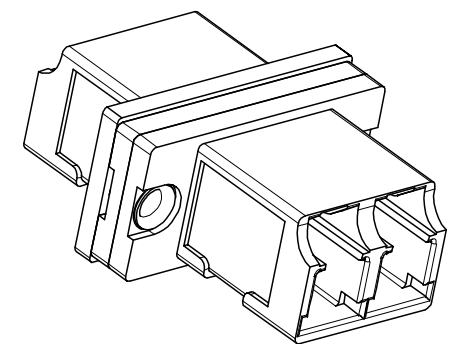
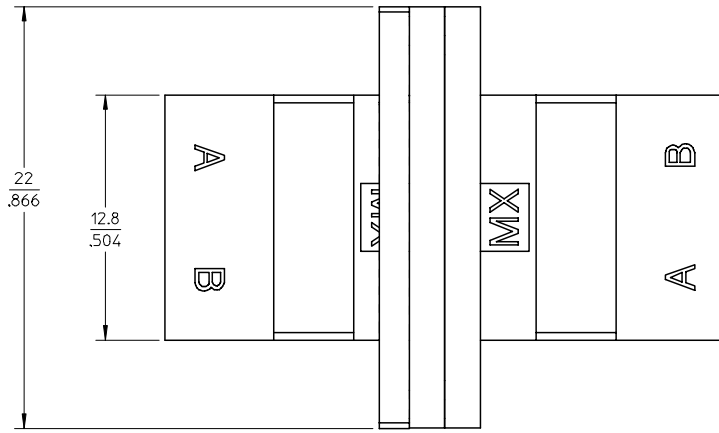
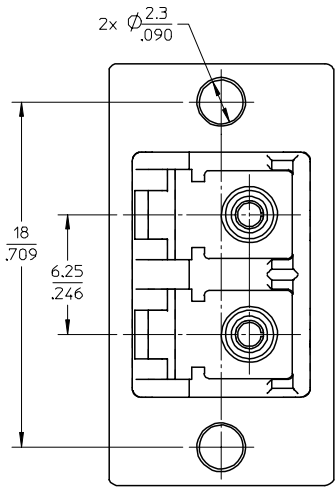
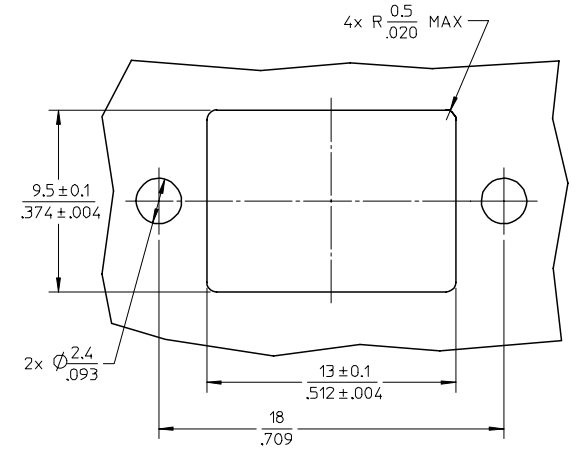
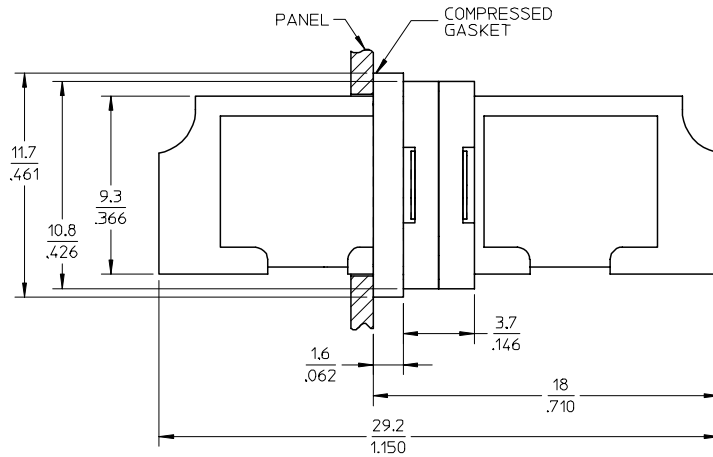


| | |
|-------------|-----------------------|
| ADAPTER P/N | SPLIT SLEEVE MATERIAL |
| 86115-1100 | Zr |
| 86115-1106 | Ph. Bronze |



NOTES:

1. ALL DIMENSIONS ARE FOR REFERENCE ONLY.
2. CONDUCTIVE SILICONE GASKET WITH Ni/C FILLER IS SUPPLIED WITH PART.
3. PART IS DIECAST.
4. DUST CAPS NOT SHOWN.
5. ADAPTERS TO BE PACKAGED IN TRAY.

| | | | | | | | |
|---|---|---------------------------------------|---|-------------------|------------------------|---|-----------|
| EC NO: MF2006-0232 DRWN: SMGO 2005/10/11 CHKD: 2005/10/11 APPR: GUMIN 2005/11/28 | QUALITY SYMBOLS | GENERAL TOLERANCES (UNLESS SPECIFIED) | SCALE 4:1 | DESIGN UNITS INCH | THIRD ANGLE PROJECTION | REVISE ON CAD ONLY | |
| | DESCRIPTION ▽ .0 ▽ .0 | mm | INCH | DIMENSION STYLE | | TITLE | |
| | | 4 PLACES ± --- ± --- | 3 PLACES ± --- ± --- | MM/IN | | | |
| | | 2 PLACES ± --- ± --- | 1 PLACE ± --- ± --- | DRAWN BY DATE | | LC-D EMI ADAPTER, SCW MT, (SCREW MOUNT) MOLEX INCORPORATED | |
| ANGULAR ±1/2° | DRAFT WHERE APPLICABLE | | CHECKED BY DATE | MATERIAL NO. | DOCUMENT NO. | | SHEET NO. |
| MUST REMAIN WITHIN DIMENSIONS | APPROVED BY DATE I, MAKHLIN 02/03/2003 | | THIS DRAWING CONTAINS INFORMATION THAT IS PROPRIETARY TO MOLEX INCORPORATED AND SHOULD NOT BE USED WITHOUT WRITTEN PERMISSION | | SEE TABLE | SD-86115-1100 | 1 OF 1 |