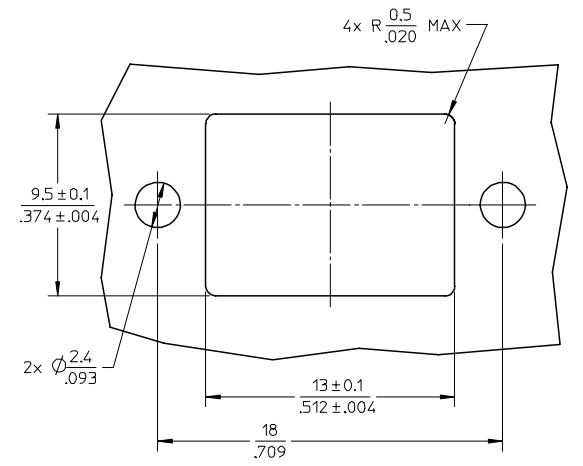
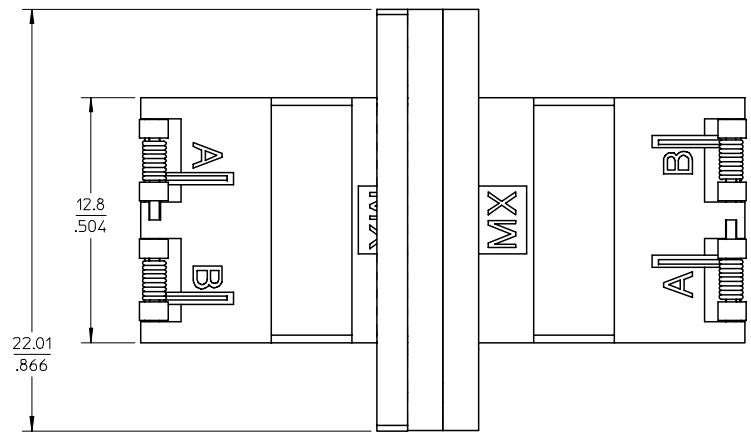
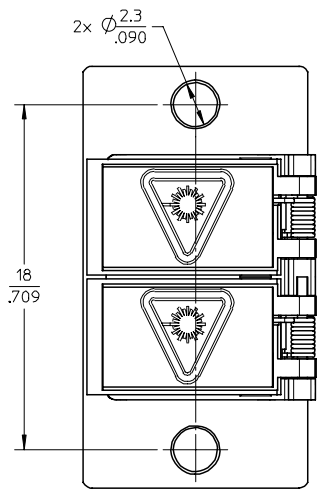
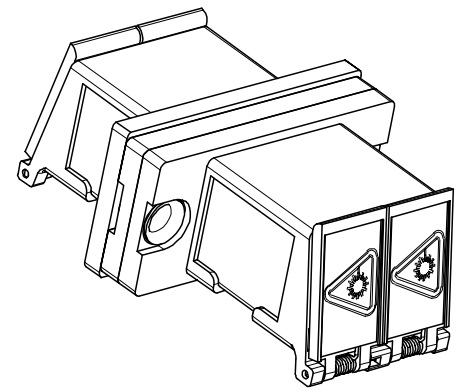
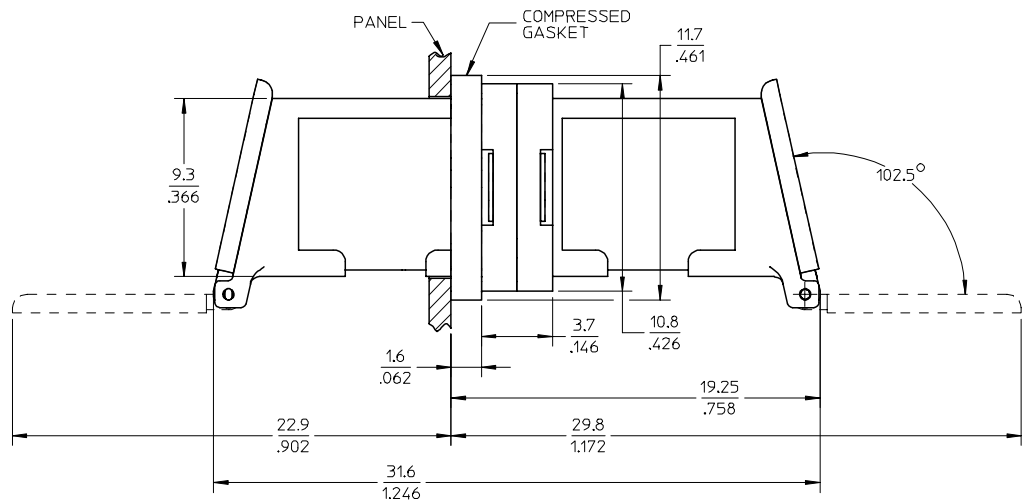


ADAPTER P/N	SPLIT SLEEVE MATERIAL
86115-1120	Zr
86115-1126	Ph. Bronze



RECOMMENDED MOUNTING PATTERN

- NOTES:
1. ALL DIMENSIONS ARE FOR REFERENCE ONLY.
 2. CONDUCTIVE SILICONE GASKET WITH Ni/C FILLER IS SUPPLIED WITH PART.
 3. PART IS DIECAST.
 4. ADAPTERS TO BE PACKAGED IN TRAY.

EC NO: MF2006-0232 DRWN: SMGO 2005/10/11 CHKD: 2005/10/11 APPR: GUMIN 2005/11/28	QUALITY SYMBOLS	GENERAL TOLERANCES (UNLESS SPECIFIED)	SCALE 4:1	DESIGN UNITS INCH	THIRD ANGLE PROJECTION	REVISE ON CAD ONLY															
	▽ 0 ∇ 0	<table border="1"> <tr> <th></th> <th>mm</th> <th>INCH</th> </tr> <tr> <td>4 PLACES</td> <td>± ---</td> <td>± ---</td> </tr> <tr> <td>3 PLACES</td> <td>± ---</td> <td>± ---</td> </tr> <tr> <td>2 PLACES</td> <td>± ---</td> <td>± ---</td> </tr> <tr> <td>1 PLACE</td> <td>± ---</td> <td>± ---</td> </tr> </table>		mm	INCH	4 PLACES	± ---	± ---	3 PLACES	± ---	± ---	2 PLACES	± ---	± ---	1 PLACE	± ---	± ---	DIMENSION STYLE MM/IN	TITLE	LC-D EMI ADAPTER, SCW MT, (SCREW MOUNT, W/SHUTTERS)	
			mm	INCH																	
	4 PLACES	± ---	± ---																		
3 PLACES	± ---	± ---																			
2 PLACES	± ---	± ---																			
1 PLACE	± ---	± ---																			
	ANGULAR ±1/2°	DRAFT WHERE APPLICABLE MUST REMAIN WITHIN DIMENSIONS	DRAWN BY J.MATASEK DATE 01/31/2003	MOLEX MOLEX INCORPORATED																	
			CHECKED BY DATE	APPROVED BY I.MAKHLIN DATE 02/03/2003	MATERIAL NO. SEE TABLE	DOCUMENT NO. SD-86115-1120															

THIS DRAWING CONTAINS INFORMATION THAT IS PROPRIETARY TO MOLEX INCORPORATED AND SHOULD NOT BE USED WITHOUT WRITTEN PERMISSION