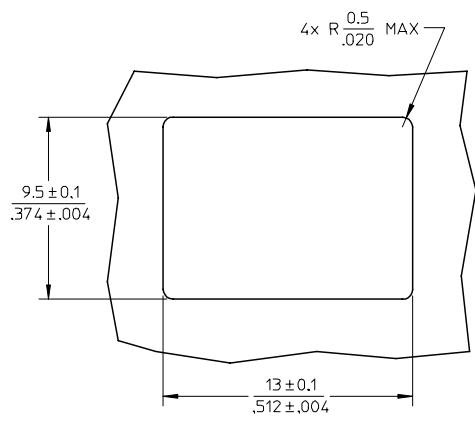
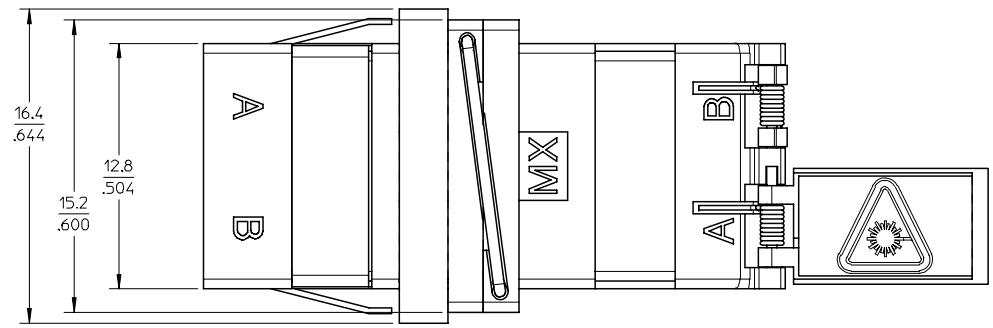
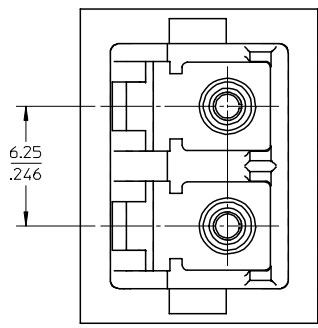
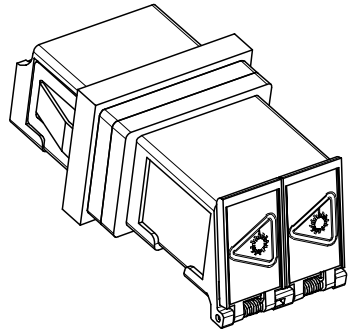
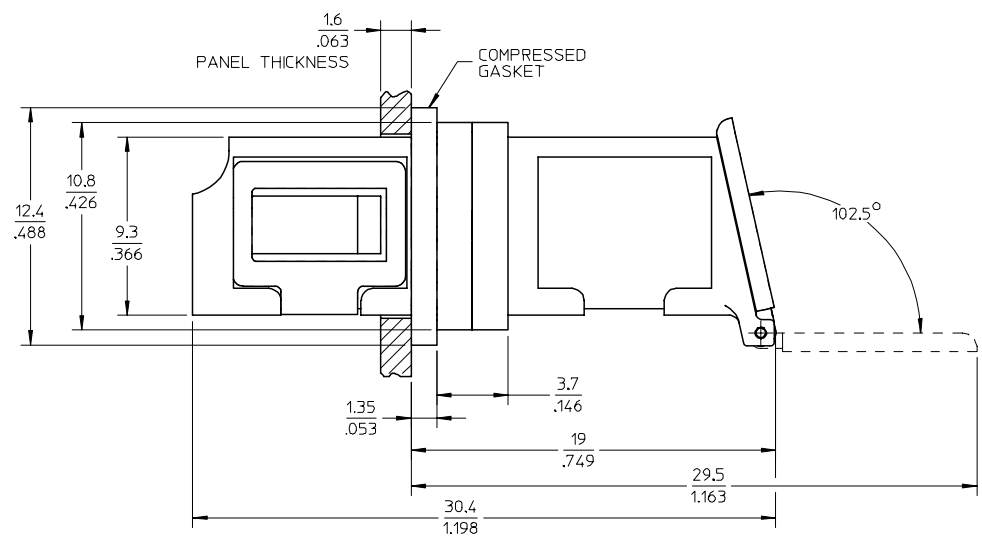


ADAPTER P/N	SPLIT SLEEVE MATERIAL
86115-2110	Zr
86115-2116	Ph. Bronze



RECOMMENDED PANEL CUTOUT
PANEL THICKNESS - 1.6mm/.063"



NOTES:

1. ALL DIMENSIONS ARE FOR REFERENCE ONLY.
2. CONDUCTIVE FABRIC OVER FOAM GASKET IS SUPPLIED WITH PART.
3. PART IS DIECAST.
4. DUST CAPS NOT SHOWN.
5. ADAPTERS TO BE PACKAGED IN TRAY.

EC NO: MF2006-0232 DRWN: SMGO 2005/10/11 CHKD: 2005/10/11 APPR: GUMIN 2005/11/28	QUALITY SYMBOLS	GENERAL TOLERANCES (UNLESS SPECIFIED)	SCALE 4:1	DESIGN UNITS INCH	THIRD ANGLE PROJECTION	REVISE ON CAD ONLY
	▼ = 0 ▽ = 0	mm	INCH	DIMENSION STYLE		TITLE
		4 PLACES ± --- ± ---	MM/IN	DRAWN BY DATE		
		3 PLACES ± --- ± ---	J.MATASEK 12/19/2003	CHECKED BY DATE		
	ANGULAR ±1/2°	APPROVED BY DATE		MATERIAL NO.	DOCUMENT NO.	SHEET NO.
	DRAFT WHERE APPLICABLE	I.MAKHLIN 12/26/2003		SEE TABLE	SD-86115-2110	1 OF 1
	MUST REMAIN WITHIN DIMENSIONS	THIS DRAWING CONTAINS INFORMATION THAT IS PROPRIETARY TO MOLEX INCORPORATED AND SHOULD NOT BE USED WITHOUT WRITTEN PERMISSION				