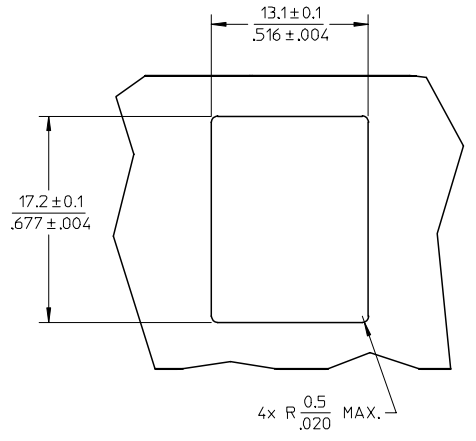
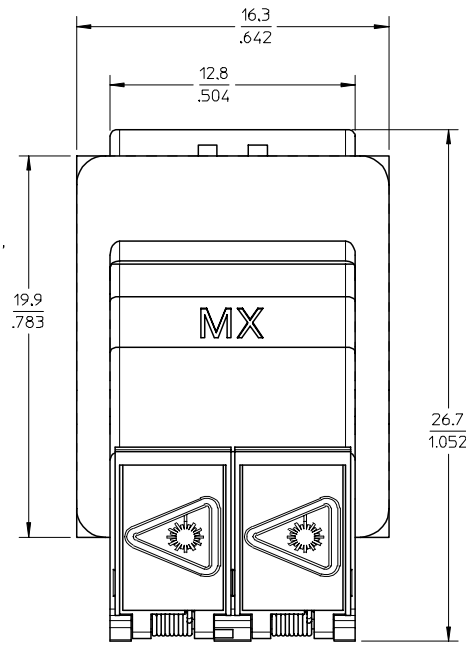
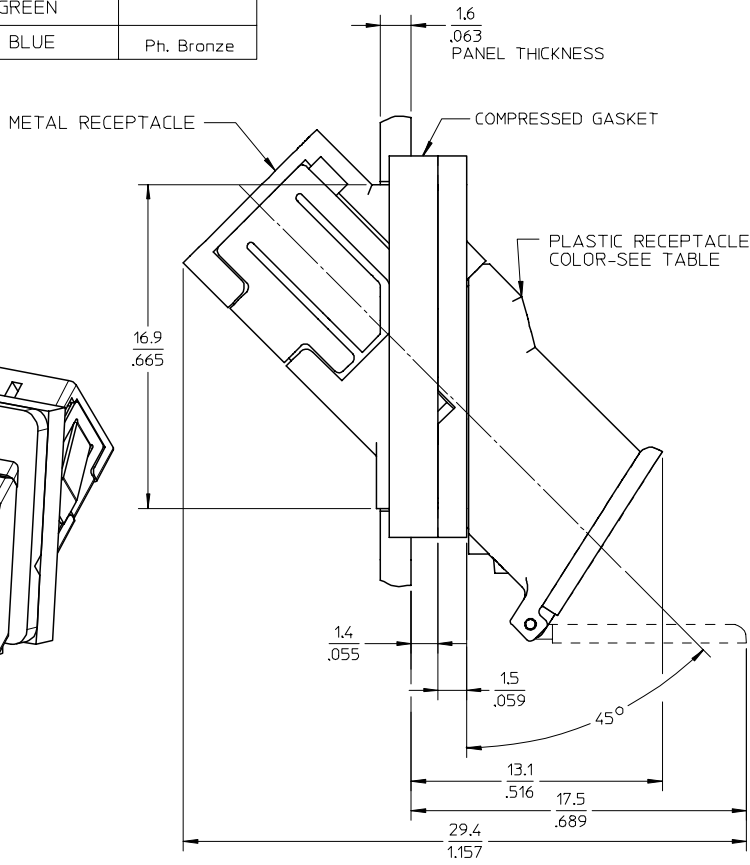
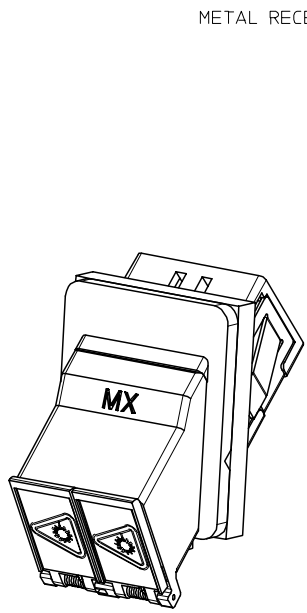


| ADAPTER P/N | PLASTIC RECEPTACLE COLOR | SPLIT SLEEVE MATERIAL |
|-------------|--------------------------|-----------------------|
| 86115-4100 | BLUE | Zr |
| 86115-6100 | GREEN | |
| 86115-4107 | BLUE | Ph. Bronze |



RECOMMENDED MOUNTING PATTERN
SCALE 2.5:1
FOR 1.6 THICK PANEL
.063

- NOTES:
1. DIMENSIONS SHOWN ARE FOR REFERENCE ONLY.
 2. CONDUCTIVE FABRIC OVER FOAM GASKET (SHOWN COMPRESSED) IS SUPPLIED WITH THE PART.
 3. LC DUPLEX WASH CAP NOT SHOWN.
 4. ADAPTERS TO BE PACKAGED IN TRAY.

| EC NO: MF2006-0232 DRWN: SMGO 2005/10/11 CHKD: 2005/10/11 APPR: GUMIN 2005/11/28 | QUALITY SYMBOLS | GENERAL TOLERANCES (UNLESS SPECIFIED) | SCALE 4:1 | DESIGN UNITS METRIC | THIRD ANGLE PROJECTION | REVISE ON CAD ONLY | | | | | | | | | | | | | | | |
|-------------------------------------------------------------------------------------------|--------------------------------------|---------------------------------------------------------------------------------------------------------------------------------------------------------------------------------------------------------------------------------------------------------------------------------------------------------------------------------------------------------|------------------------|----------------------------|------------------------|--------------------|-------|-------|----------|-------|-------|----------|-------|-------|---------|-------|-------|--------------------------|-------|--------------------------------------------------|--|
| | DESCRIPTION ▽ = 0 ∇ = 0 | <table border="1"> <thead> <tr> <th></th> <th>mm</th> <th>INCH</th> </tr> </thead> <tbody> <tr> <td>4 PLACES</td> <td>± ---</td> <td>± ---</td> </tr> <tr> <td>3 PLACES</td> <td>± ---</td> <td>± ---</td> </tr> <tr> <td>2 PLACES</td> <td>± ---</td> <td>± ---</td> </tr> <tr> <td>1 PLACE</td> <td>± ---</td> <td>± ---</td> </tr> </tbody> </table> | | mm | INCH | 4 PLACES | ± --- | ± --- | 3 PLACES | ± --- | ± --- | 2 PLACES | ± --- | ± --- | 1 PLACE | ± --- | ± --- | DIMENSION STYLE MM/IN | TITLE | LC-D EMI ADAPTER, 45 DEGR 45 DEGREE (SNAP MOUNT) | |
| | | | mm | INCH | | | | | | | | | | | | | | | | | |
| | | 4 PLACES | ± --- | ± --- | | | | | | | | | | | | | | | | | |
| 3 PLACES | ± --- | ± --- | | | | | | | | | | | | | | | | | | | |
| 2 PLACES | ± --- | ± --- | | | | | | | | | | | | | | | | | | | |
| 1 PLACE | ± --- | ± --- | | | | | | | | | | | | | | | | | | | |
| DRAFT WHERE APPLICABLE MUST REMAIN WITHIN DIMENSIONS | DRAWN BY JMATASEK DATE 2002/08/09 | CHECKED BY DATE | MOLEX INCORPORATED | | | | | | | | | | | | | | | | | | |
| REV | APPROVED BY | DATE | MATERIAL NO. SEE TABLE | DOCUMENT NO. SD-86115-4100 | SHEET NO. 1 OF 1 | | | | | | | | | | | | | | | | |

THIS DRAWING CONTAINS INFORMATION THAT IS PROPRIETARY TO MOLEX INCORPORATED AND SHOULD NOT BE USED WITHOUT WRITTEN PERMISSION