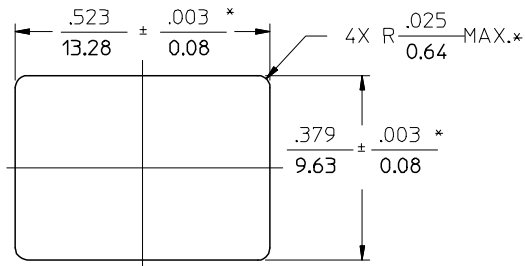
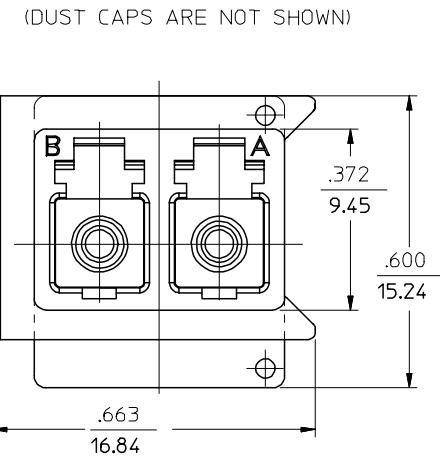
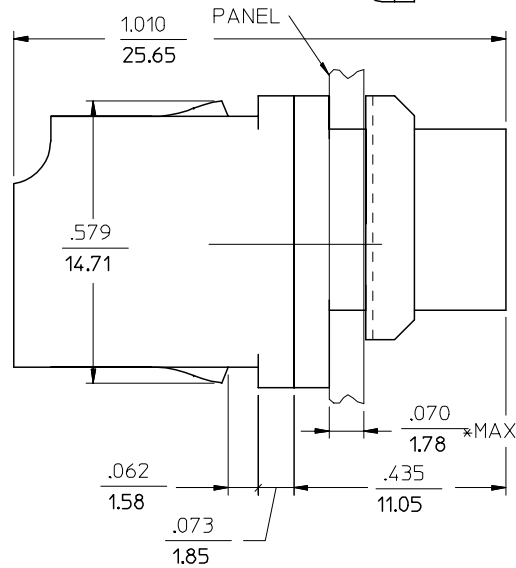
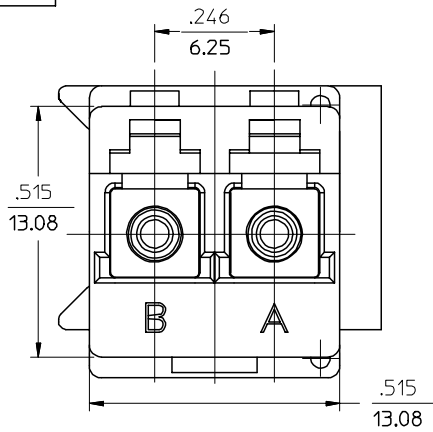
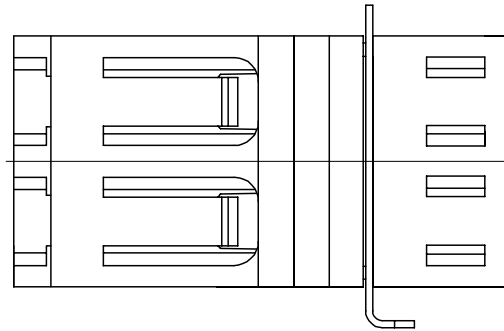


ADAPTER WITH RETAINER P/N	COLOR	SPLIT SLEEVE MATERIAL
86125-0200	BLUE	Ph. Bronze
86125-0210	BEIGE	Ph. Bronze
86125-1200	BLUE	ZIRCONIA - ZrO ₂
86125-1210	BEIGE	ZIRCONIA - ZrO ₂
86125-1250	GREEN	ZIRCONIA - ZrO ₂



RECOMMENDED PANEL CUTOUT
 PANEL THICKNESS $\frac{.070}{1.78}$ MAX.

- NOTES:
 1. ALL DIMENSIONS ARE FOR REFERENCE ONLY, EXCEPT WHEN MARKED WITH (*).
 2. RETAINER IS ASSEMBLED BY CUSTOMER WHEN MOUNTING ONTO PANEL.

ENTER DESCRIPTION EC NO: MF2007-0185 DRWN:KPEVZNER 2006/09/15 CHKD: 2006/09/15 APPR: IGUMIN 2006/09/18 B2	QUALITY SYMBOLS ▽=0 ▽=0	GENERAL TOLERANCES (UNLESS SPECIFIED)		DIMENSION STYLE IN/MM		SCALE 4:1	DESIGN UNITS INCH	THIRD ANGLE PROJECTION		
		4 PLACES ± --- ± ---	3 PLACES ± --- ± ---	2 PLACES ± --- ± ---	1 PLACE ± --- ± ---	DRAWN BY BG	DATE 04.07.99	TITLE LC DUPLEX ADAPTER, LOW PROFILE, WITH RETAINER		
		ANGULAR ±1/2°				CHECKED BY	DATE	MOLEX INCORPORATED		
		DRAFT WHERE APPLICABLE MUST REMAIN WITHIN DIMENSIONS				APPROVED BY IG	DATE 04.07.99	MATERIAL NO. SEE TABLE	DOCUMENT NO. 86125-X2X0CD	SHEET NO. 1 OF 1