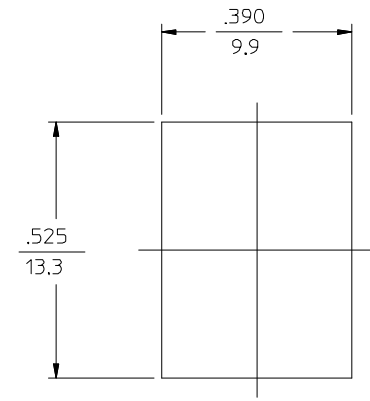
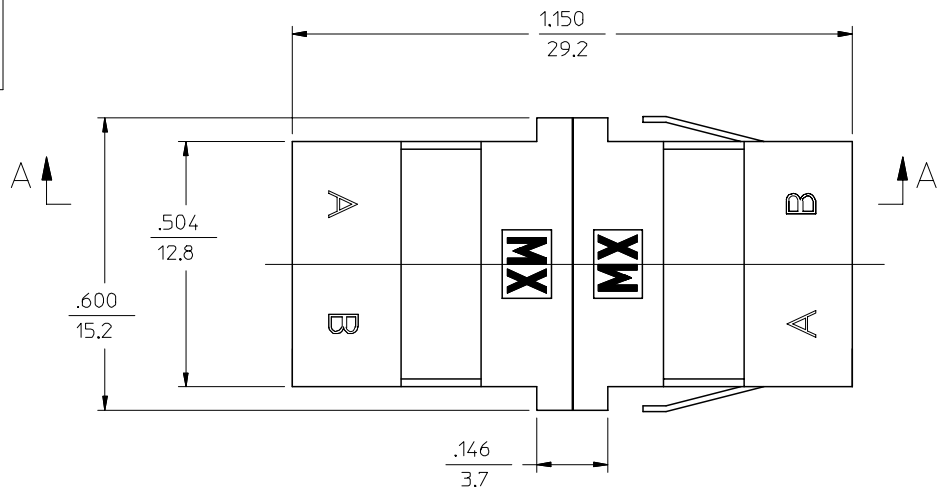
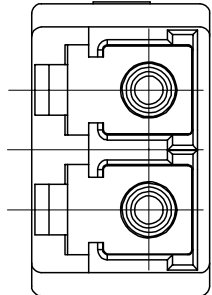
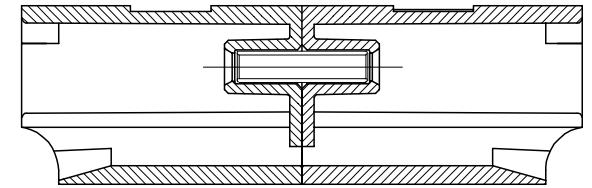
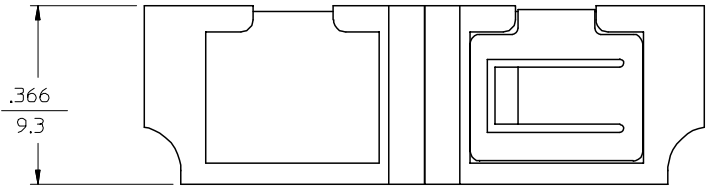


ADAPTER P/N	COLOR	SPLIT SLEEVE MATERIAL
86126-0410	BEIGE	Ph. Bronze
86126-0510	BLUE	
86126-1400	GREEN	Zr
86126-1450	BLACK	
86126-1410	BEIGE	
86126-1420	AQUA	
86126-1430		



RECOMMENDED MOUNTING CUTOUT FOR $\frac{.063}{1.6}$ THICK PANEL

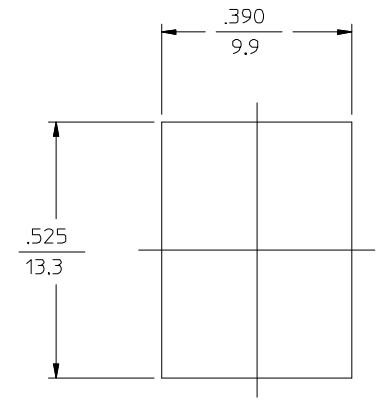
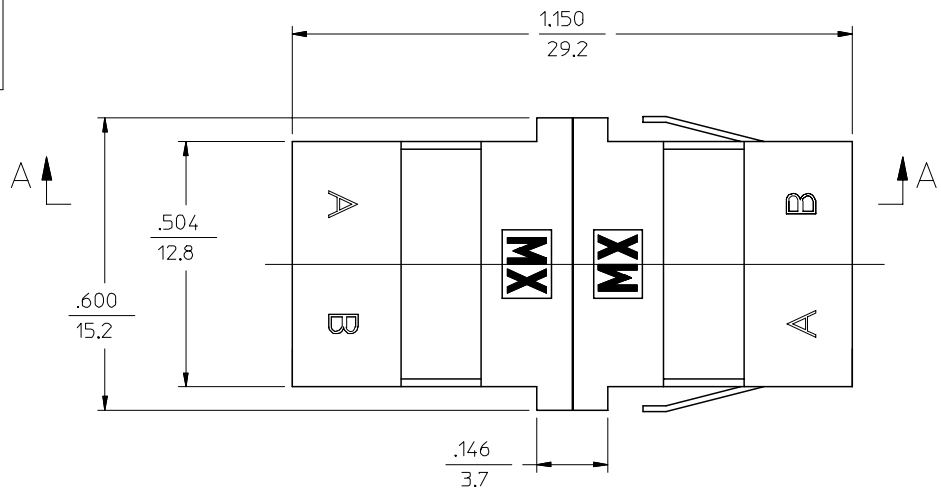
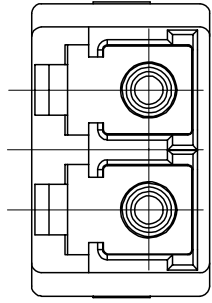


SECTION A-A

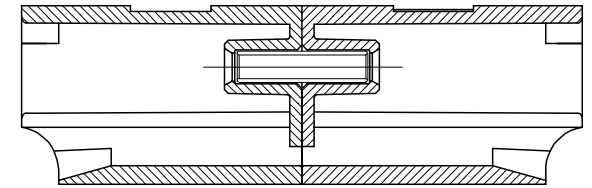
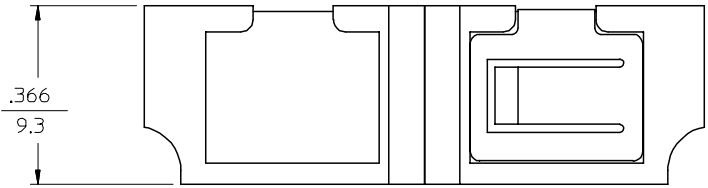
- NOTES:
1. ALL DIMENSIONS ARE FOR REFERENCE ONLY.
 2. ALL DIMENSIONS ARE GIVEN IN $\frac{\text{INCHES}}{\text{mm}}$
 3. ASSEMBLED DUST CAP NOT SHOWN.

ENTER DESCRIPTION EC NO: MF2005-0692 DRWN: GUMIN 2005/06/02 CHKD: 2005/06/02 APPR: GUMIN 2005/06/02	QUALITY SYMBOLS	GENERAL TOLERANCES (UNLESS SPECIFIED)	SCALE 4:1	DESIGN UNITS INCH	THIRD ANGLE PROJECTION	REVISE ON CAD ONLY	
	DESCRIPTION ▼ = 0 ▽ = 0	mm	INCH	DIMENSION STYLE IN/MM		TITLE	
		4 PLACES	± ---	± ---	DRAWN BY BKIM	DATE 1999/11/20	LC DUPLEX ADAPTER (SMALL FLANGE/SC FOOT PRINT)
		3 PLACES	± ---	± ---	CHECKED BY	DATE	
2 PLACES	± ---	± ---	APPROVED BY SMIGO		DATE 1999/11/20	MOLEX INCORPORATED MATERIAL NO. SEE TABLE DOCUMENT NO. 86126-X4X0CD SHEET NO. 1 OF 1	
1 PLACE	± ---	± ---	DRAFT WHERE APPLICABLE		THIS DRAWING CONTAINS INFORMATION THAT IS PROPRIETARY TO MOLEX INCORPORATED AND SHOULD NOT BE USED WITHOUT WRITTEN PERMISSION		
REV	DESCRIPTION	ANGULAR ±1/2°	MUST REMAIN WITHIN DIMENSIONS		B		

ADAPTER P/N	COLOR	SPLIT SLEEVE MATERIAL
86126-0410	BEIGE	Ph. Bronze
86126-0510	BLUE	
86126-1400	BLUE	Zr
86126-1450	GREEN	
86126-1410	BLACK	
86126-1420	BEIGE	
86126-1430	AQUA	



RECOMMENDED MOUNTING CUTOUT FOR $\frac{.063}{1.6}$ THICK PANEL



SECTION A-A

- NOTES:
1. ALL DIMENSIONS ARE FOR REFERENCE ONLY.
 2. ALL DIMENSIONS ARE GIVEN IN $\frac{\text{INCHES}}{\text{mm}}$
 3. ASSEMBLED DUST CAP NOT SHOWN.

ENTER DESCRIPTION EC NO: MF2005-0692 DRWN: GUMIN 2005/06/02 CHKD: 2005/06/02 APPR: GUMIN 2005/06/02	QUALITY SYMBOLS	GENERAL TOLERANCES (UNLESS SPECIFIED)	SCALE 4:1	DESIGN UNITS INCH	THIRD ANGLE PROJECTION	REVISE ON CAD ONLY
	DESCRIPTION ▼ = 0 ▽ = 0	mm	INCH	DIMENSION STYLE IN/MM		TITLE
		4 PLACES ± --- ± ---		DRAWN BY BKIM	DATE 1999/11/20	LC DUPLEX ADAPTER (SMALL FLANGE/SC FOOT PRINT)
		3 PLACES ± --- ± ---		CHECKED BY	DATE	
2 PLACES ± --- ± ---		APPROVED BY SMIGO	DATE 1999/11/20	MATERIAL NO. SEE TABLE	DOCUMENT NO. 86126-X4X0CD	SHEET NO. 1 OF 1
1 PLACE ± --- ± ---		ANGULAR ±1/2°	DRAFT WHERE APPLICABLE MUST REMAIN WITHIN DIMENSIONS		MOLEX INCORPORATED THIS DRAWING CONTAINS INFORMATION THAT IS PROPRIETARY TO MOLEX INCORPORATED AND SHOULD NOT BE USED WITHOUT WRITTEN PERMISSION	