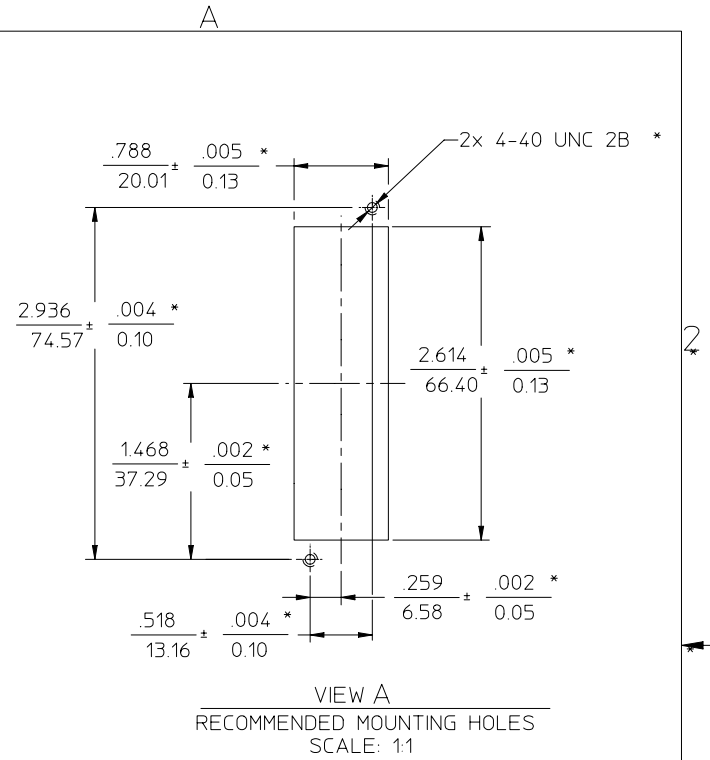
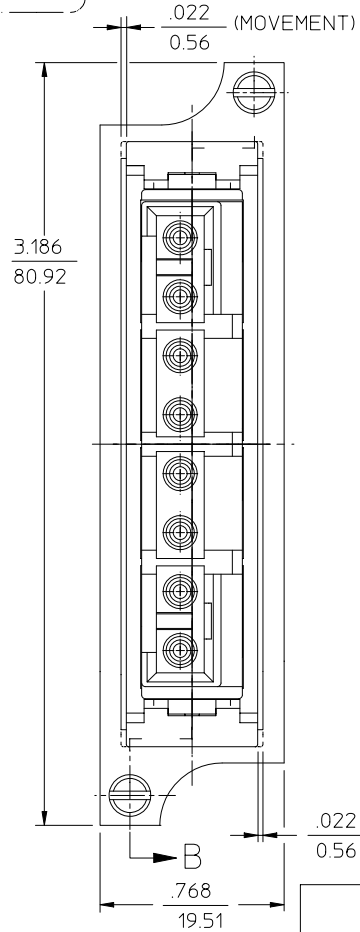
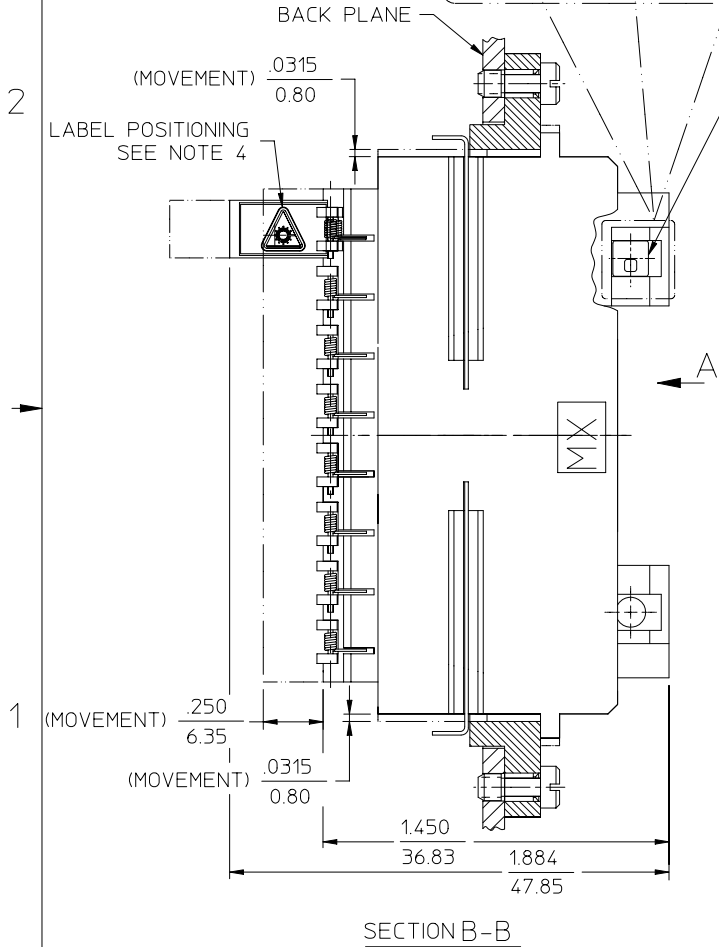
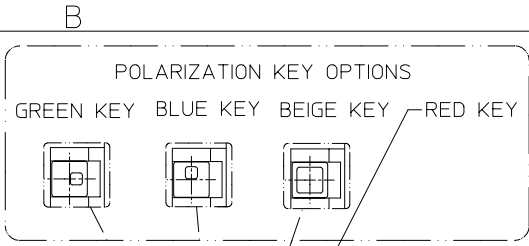


| BLC ADAPTER P/N | SPLIT SLEEVE MATERIAL | COLOR |
|-----------------|-----------------------|-------|
| 86146-0100      | Ph. Bronze            | BLACK |
| 86146-1100      | Zr                    | BLACK |
| 86146-1500      |                       | GREEN |



- NOTES:
1. ALL DIMENSIONS ARE GIVEN IN  $\frac{\text{INCHES}}{\text{mm}}$
  2. ALL DIM. ARE FOR REFERENCE ONLY, EXCEPT WHEN MARKED WITH (\*).
  3. POLARIZATION KEYS AND LABELS ARE PACKED UNASSEMBLED WITH ADAPTER ASSEMBLY IN POLY BAG.
  4. ADHESIVE LABELS TO BE POSITIONED ON LC DOORS BY USER. THE ORIENTATION OF THE LABELS SHOULD BE SUCH THAT THE LASER WARNING SYMBOL IS EASILY IDENTIFIED.

**molex**® Fiber Optics, Inc.  
Downers Grove, Illinois

|             |                                   |              |       |        |
|-------------|-----------------------------------|--------------|-------|--------|
| TITLE:      | BLC ADAPTER ASSEMBLY (8 POSITION) | Size         | Scale | REV. C |
| Drawing No. | 86146-XX00 CD                     | B            | 2:1   |        |
|             |                                   | Sheet 1 of 1 |       |        |

RESTRICTED RELEASE  
DRAWING MAY CHANGE WITHOUT  
CUSTOMER NOTIFICATION

2

1

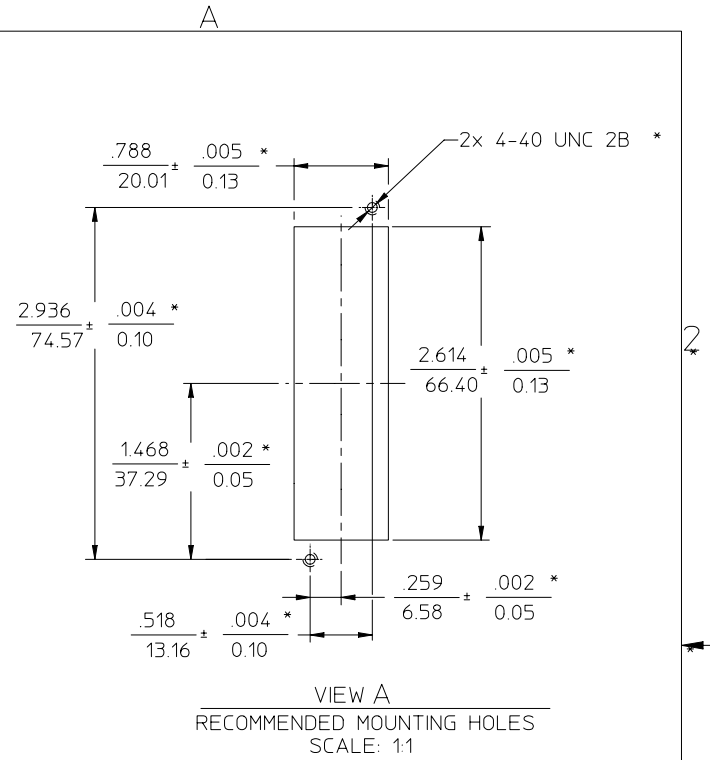
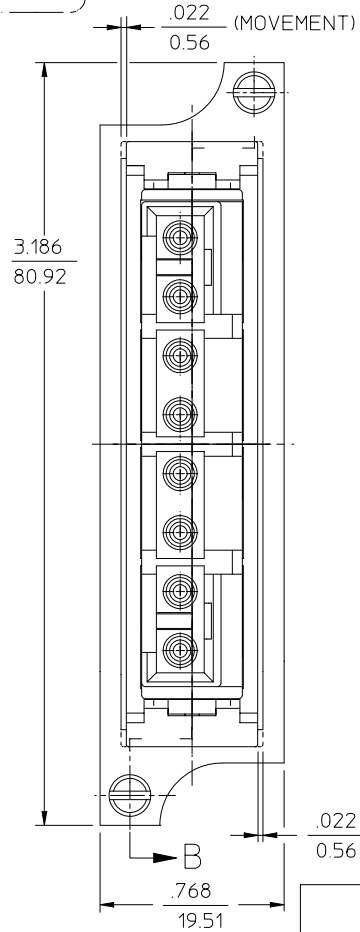
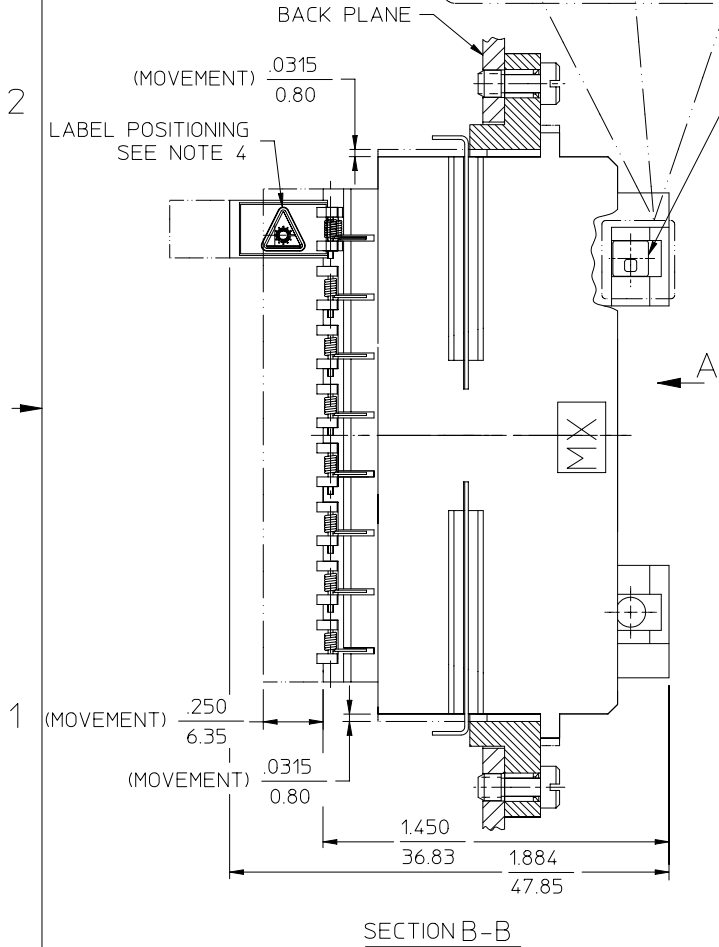
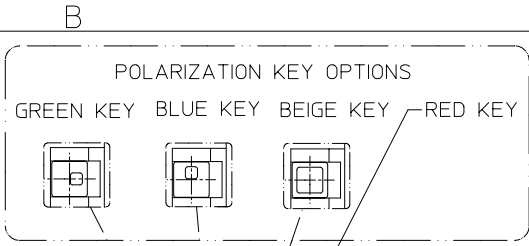
2

1

B

A

| BLC ADAPTER P/N | SPLIT SLEEVE MATERIAL | COLOR |
|-----------------|-----------------------|-------|
| 86146-0100      | Ph. Bronze            | BLACK |
| 86146-1100      | Zr                    | BLACK |
| 86146-1500      |                       | GREEN |



- NOTES:
1. ALL DIMENSIONS ARE GIVEN IN  $\frac{\text{INCHES}}{\text{mm}}$
  2. ALL DIM. ARE FOR REFERENCE ONLY, EXCEPT WHEN MARKED WITH (\*).
  3. POLARIZATION KEYS AND LABELS ARE PACKED UNASSEMBLED WITH ADAPTER ASSEMBLY IN POLY BAG.
  4. ADHESIVE LABELS TO BE POSITIONED ON LC DOORS BY USER. THE ORIENTATION OF THE LABELS SHOULD BE SUCH THAT THE LASER WARNING SYMBOL IS EASILY IDENTIFIED.

**molex**® Fiber Optics, Inc.  
Downers Grove, Illinois

|  |        |              |        |
|--|--------|--------------|--------|
| TITLE: BLC ADAPTER ASSEMBLY (8 POSITION) | Size B | Scale 2:1    | REV. C |
| Drawing No. 86146-XX00 CD                |        | Sheet 1 of 1 |        |

RESTRICTED RELEASE  
DRAWING MAY CHANGE WITHOUT  
CUSTOMER NOTIFICATION

B

A