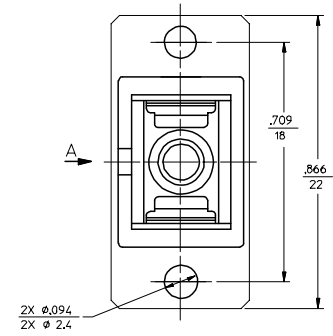
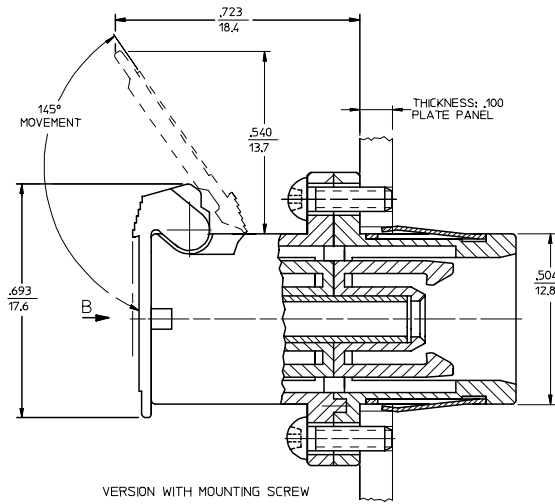
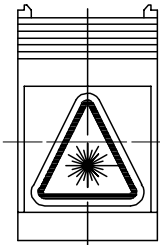
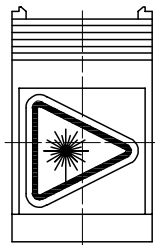
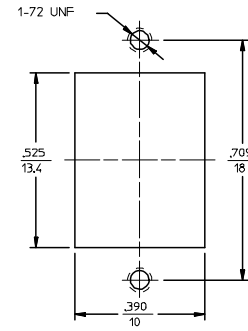
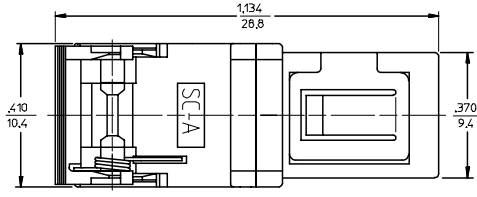
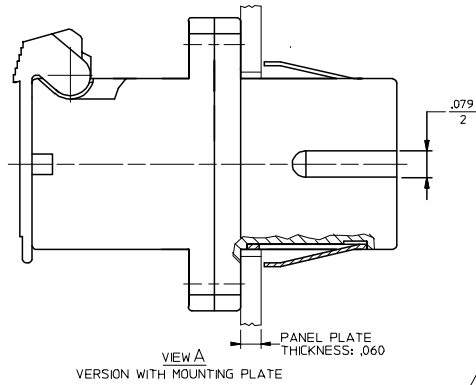


ADAPTER P/N	SPLIT SLEEVE MATERIAL	COLOR OF ADAPTER & SHIELD
86160-0500	PHOSPHOR BRONZE	BLUE
86160-3500		GREEN
86161-0500	ZR	BLUE
86161-3500		GREEN



- NOTES:
1. ALL DIMENSIONS ARE GIVEN IN  $\frac{\text{INCHES}}{\text{mm}}$
  2. LABEL MUST BE INSTALLED AND ORIENTED BY CUSTOMER.

ENTER DESCRIPTION EC NO: MF2004-0643 DRW:KPEVZNEP004/05/06 CHKD: 2004/05/06 APPR:JGUMIN 2004/05/06 REV DESCRIPTION	QUALITY SYMBOLS	GENERAL TOLERANCES (UNLESS SPECIFIED)	SCALE 4:1	DESIGN UNITS INCH	THIRD ANGLE PROJECTION	REVISE ON CAD ONLY
	▽ = 0 ∇ = 0	4 PLACES ± --- ± --- 3 PLACES ± --- ± --- 2 PLACES ± --- ± --- 1 PLACE ± --- ± ---	DIMENSION STYLE IN/MM DRAWN BY DATE CHECKED BY DATE	TITLE SC ADAPTER STANDARD FOOTPRINT WITH SHUTTER		
		ANGULAR ±1/2°	APPROVED BY DATE	MATERIAL NO. SEE TABLE		
		DRAFT WHERE APPLICABLE MUST REMAIN WITHIN DIMENSIONS	DATE	DOCUMENT NO. 8616X-X500CD	SHEET NO. 1 OF 1	
THIS DRAWING CONTAINS INFORMATION THAT IS PROPRIETARY TO MOLEX INCORPORATED AND SHOULD NOT BE USED WITHOUT WRITTEN PERMISSION						