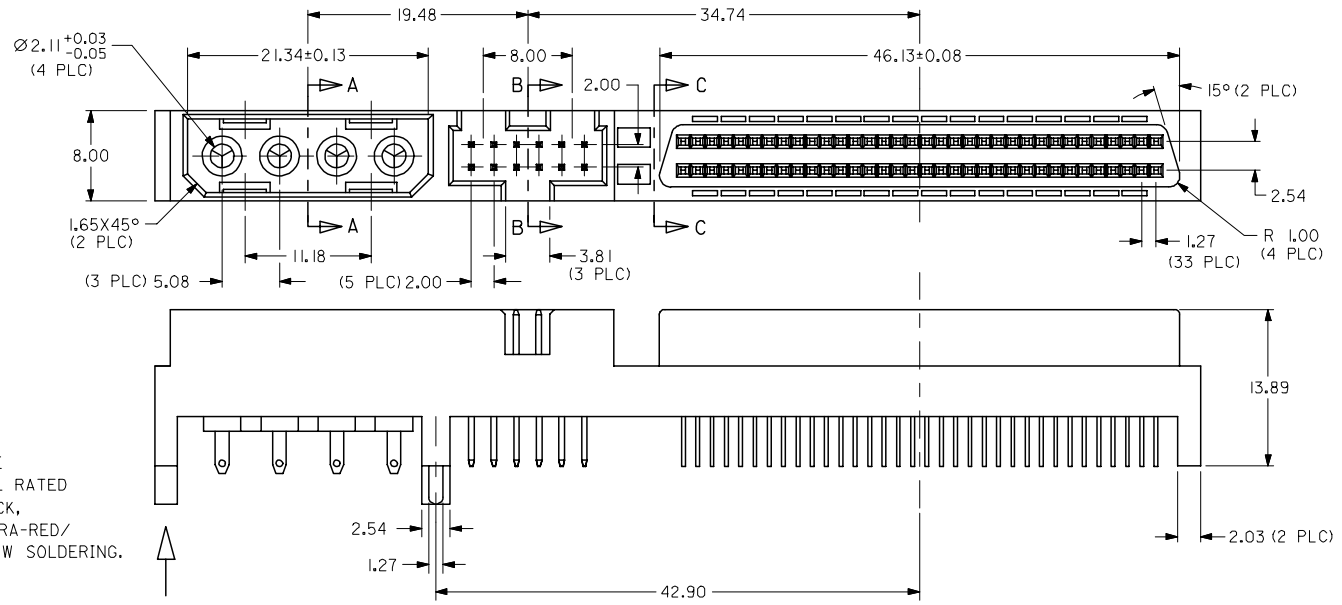
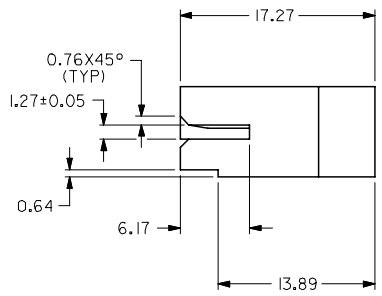
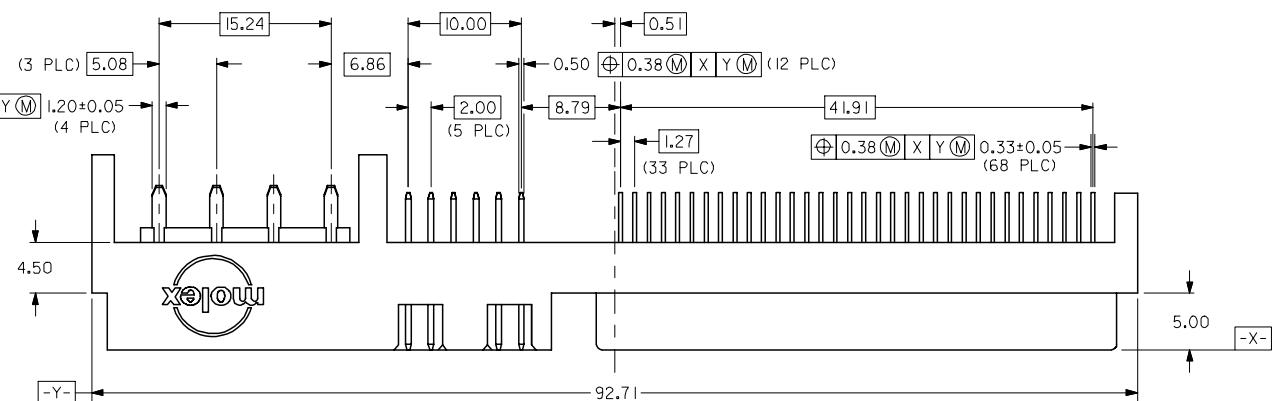
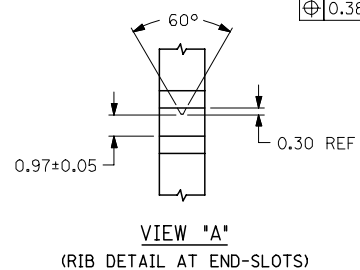


PART NO.	PLATING OPTION
87221-0001	TIN/LEAD
87221-0021	TIN



**NOTES:**

1 MATERIALS:  
INSULATOR MATERIAL: HIGH TEMPERATURE THERMOPLASTIC, UL RATED 94V-0, COLOR BLACK, SUITABLE FOR INFRA-RED/ CONVECTION REFLOW SOLDERING.  
CONTACT MATERIAL: PHOSPHOR BRONZE

2 CONTACT FINISHES:  
WIDE SCSI/2MM: 0.76µM MIN. GOLD AT CONTACT AREA & 2.54µM MIN. TIN/LEAD OR TIN AT SOLDERTAIL AREA, WITH 1.27µM MIN. NICKEL UNDERPLATE ALL OVER.  
POWER: 2.54µM MIN. TIN/LEAD OR TIN ALL OVER, WITH 1.27µM MIN. NICKEL UNDERPLATE.

**VIEW "A"**

LEAD FREE CONVERSION	QUALITY SYMBOLS
EC NO: S2004-0611	▷=NA
DRAWN:ATSEE 2004/09/03	◁=NA
CHKD:KCLING 2004/09/03	
APPR:SKTOH 2004/09/04	
REV	DESCRIPTION

GENERAL TOLERANCES (UNLESS SPECIFIED)	
	mm
4 PLACES	± 0.2
3 PLACES	± 0.3
2 PLACES	± 0.4
1 PLACE	± 0.5
ANGULAR ± 0.5°	
DRAFT WHERE APPLICABLE MUST REMAIN WITHIN DIMENSIONS	

DIMENSION STYLE	
MM ONLY	
DRAWN BY	DATE
SKTOH	1995/10/03
CHECKED BY	DATE
JL IM	1995/11/21
APPROVED BY	DATE
RWONG	1995/11/21
MATERIAL NO.	
SEE TABLE	

SCALE	DESIGN UNITS	THIRD ANGLE PROJECTION	
NTS	METRIC		
TITLE			
SALES DRAWING			
3-IN-1 COMBO, WIDE			
SCSI/2MM/POWER, STRADD.			
MOLEX INCORPORATED		SHEET NO.	
DOCUMENT NO.		1 OF 3	
SD-87221-0001			
THIS DRAWING CONTAINS INFORMATION THAT IS PROPRIETARY TO MOLEX INCORPORATED AND SHOULD NOT BE USED WITHOUT WRITTEN PERMISSION			

10 9 8 7 6 5 4 3 2 1

F

E

D

C

B

A

F

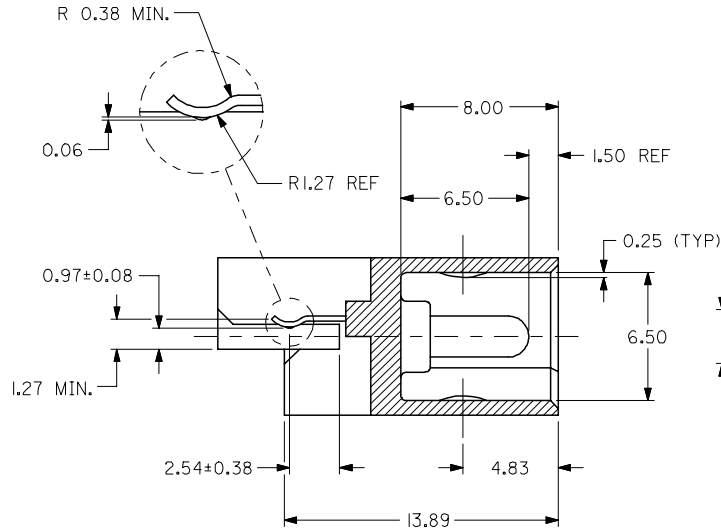
E

D

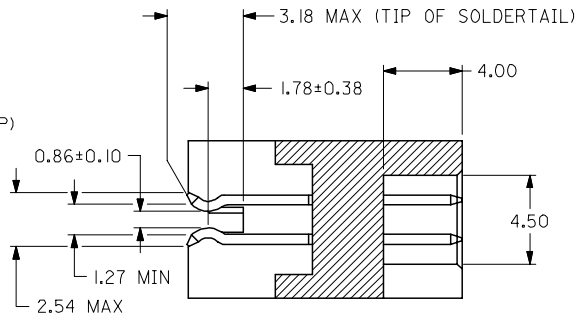
C

B

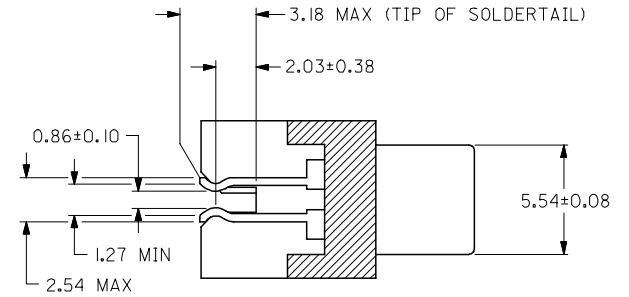
A



SECTION A-A  
(4-PIN, POWER CONNECTOR)



SECTION B-B  
(12-PIN, 2MM CONNECTOR)



SECTION C-C  
(68-PIN, WIDE SCSI CONNECTOR)

LEAD FREE CONVERSION EC NO: S2004-0611 DRAWN: ATSEE CHKD: KCLING APPR: SKTOH	2004/09/03 2004/09/03 2004/09/04	DESCRIPTION REV	QUALITY SYMBOLS	GENERAL TOLERANCES (UNLESS SPECIFIED) <table border="1"> <tr> <td></td> <td>mm</td> <td>INCH</td> </tr> <tr> <td>4 PLACES</td> <td>±---</td> <td>±---</td> </tr> <tr> <td>3 PLACES</td> <td>±---</td> <td>±---</td> </tr> <tr> <td>2 PLACES</td> <td>±0.2</td> <td>±---</td> </tr> <tr> <td>1 PLACE</td> <td>±---</td> <td>±---</td> </tr> <tr> <td colspan="3">ANGULAR ±---°</td> </tr> </table>		mm	INCH	4 PLACES	±---	±---	3 PLACES	±---	±---	2 PLACES	±0.2	±---	1 PLACE	±---	±---	ANGULAR ±---°			DIMENSION STYLE MM ONLY	SCALE NTS	DESIGN UNITS METRIC	THIRD ANGLE PROJECTION
					mm	INCH																				
			4 PLACES		±---	±---																				
			3 PLACES		±---	±---																				
2 PLACES	±0.2	±---																								
1 PLACE	±---	±---																								
ANGULAR ±---°																										
DRAWN BY SKTOH	DATE 1995/10/03	TITLE SALES DRAWING 3-IN-1 COMBO, WIDE SCSI/2MM/POWER, STRADD.																								
CHECKED BY JL IM	DATE 1995/11/21																									
APPROVED BY RWONG	DATE 1995/11/21	MOLEX INCORPORATED																								
MATERIAL NO.	DOCUMENT NO. SD-87221-0001				SHEET NO. 2 OF 3																					
DRAFT WHERE APPLICABLE MUST REMAIN WITHIN DIMENSIONS				SIZE A3	THIS DRAWING CONTAINS INFORMATION THAT IS PROPRIETARY TO MOLEX INCORPORATED AND SHOULD NOT BE USED WITHOUT WRITTEN PERMISSION																					

9 8 7 6 5 4 3 2 1

10 9 8 7 6 5 4 3 2 1

F

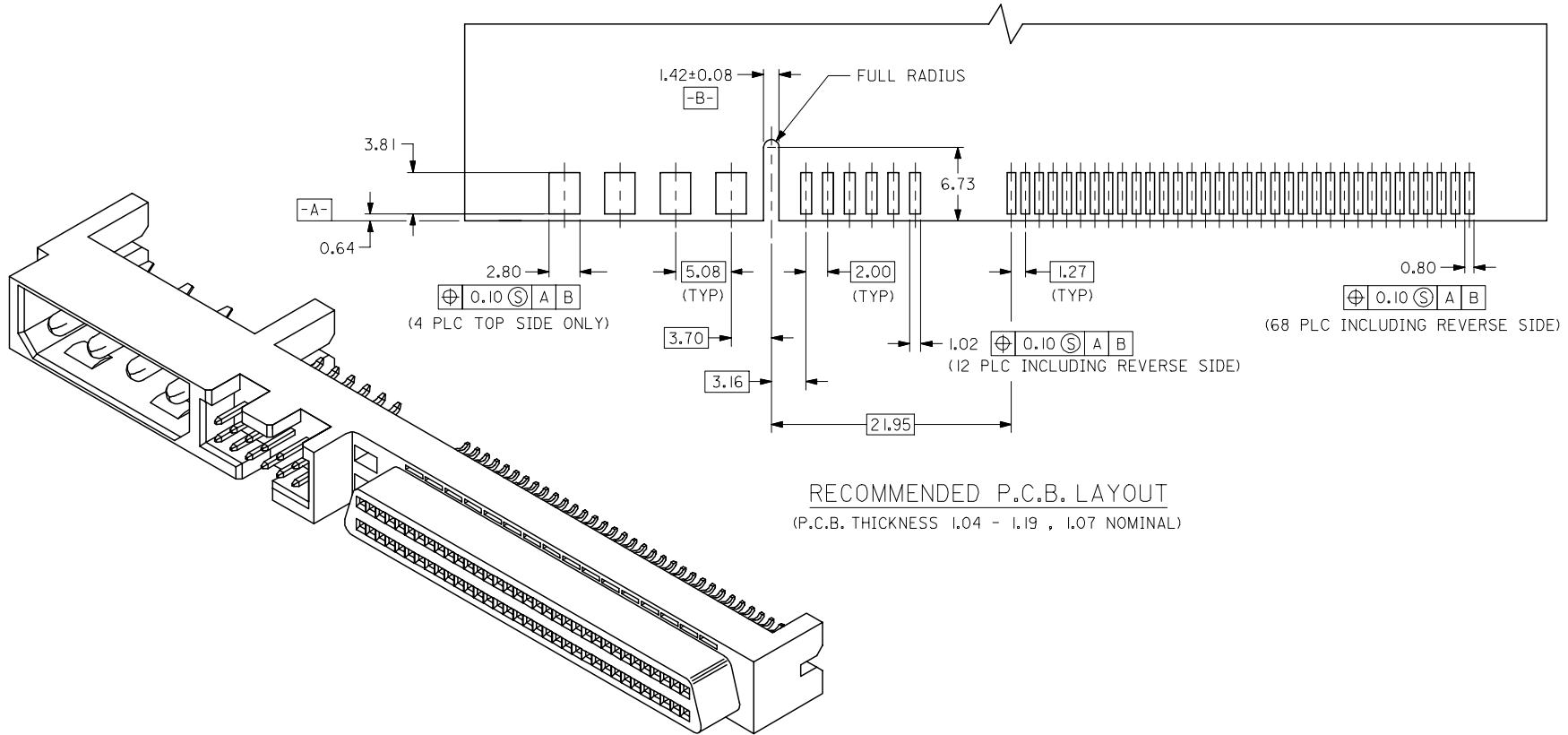
E

D

C

B

A



RECOMMENDED P.C.B. LAYOUT  
(P.C.B. THICKNESS 1.04 - 1.19 , 1.07 NOMINAL)

LEAD FREE CONVERSION EC NO: S2004-0611 DRAWN:ATSEE 2004/09/03 CHKD:KCLING 2004/09/03 APPR:SKTOH 2004/09/04	QUALITY SYMBOLS ▽=NA ▽=NA	GENERAL TOLERANCES (UNLESS SPECIFIED)		DIMENSION STYLE MM ONLY		SCALE NTS	DESIGN UNITS METRIC	THIRD ANGLE PROJECTION			
		4 PLACES ± --- ± ---	3 PLACES ± --- ± ---	2 PLACES ± 0.2 ± ---	1 PLACE ± --- ± ---	ANGULAR ± ---°	DRAWN BY SKTOH	DATE 1995/10/03	TITLE SALES DRAWING 3-IN-1 COMBO, WIDE SCSI/2MM/POWER, STRADD.		
							CHECKED BY JL IM	DATE 1995/11/21	MOLEX INCORPORATED		
							APPROVED BY RWONG	DATE 1995/11/21	DOCUMENT NO. SD-87221-0001	SHEET NO. 3 OF 3	
DRAFT WHERE APPLICABLE MUST REMAIN WITHIN DIMENSIONS					SIZE A3	THIS DRAWING CONTAINS INFORMATION THAT IS PROPRIETARY TO MOLEX INCORPORATED AND SHOULD NOT BE USED WITHOUT WRITTEN PERMISSION					

9 8 7 6 5 4 3 2 1