

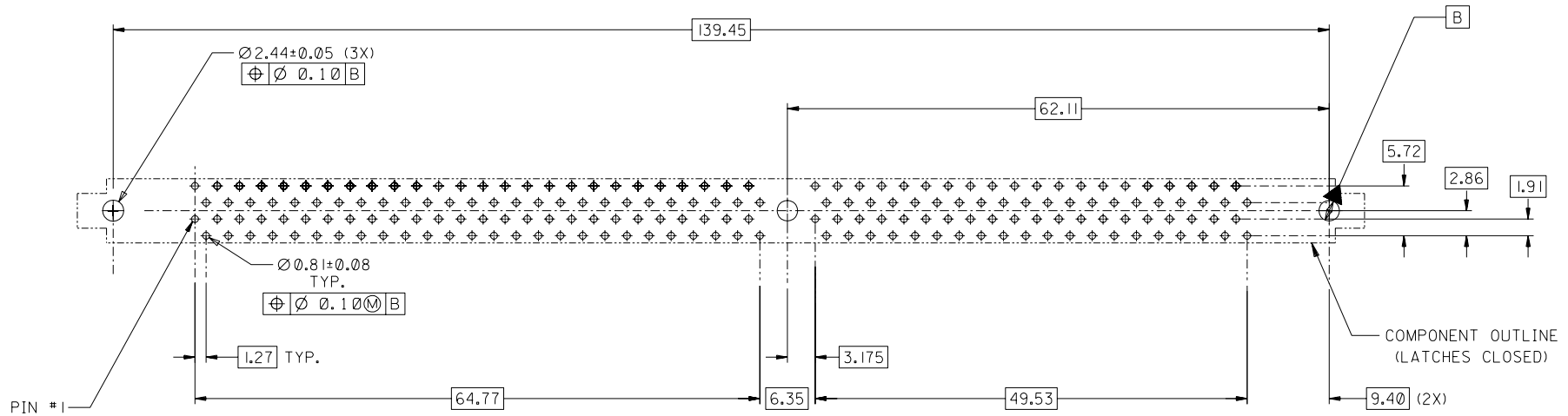
- NOTES:
- CARD SLOT ACCEPTS 1.27±0.10 MM MODULE THICKNESS. (MEASURED OVER P.C. PADS).
 - REFER TO PRODUCT SPEC. PS-87656-004 FOR PERFORMANCE SPECIFICATIONS.
 - RECOMMENDED MODULE LAYOUT SHALL BE PER M0-206.
 - RECOMMENDED PLATING ON MODULE PADS: 0.76 μM MIN HARD GOLD (Au) OVER 2.0 μM MIN NICKEL (Ni).
 - PRODUCT WILL HAVE DATE CODE STAMPED ON SIDE OF HOUSING.
 - PRODUCT IS RECOMMENDED FOR WAVE SOLDERING FOR WAVE SOLDERING HEAT PROCESS.

MATERIALS:
 HOUSING - HIGH TEMP NYLON
 TERMINAL - PHOSPHOR BRONZE
 LATCHES - HIGH TEMP THERMOPLASTIC

PLATING:
 CONTACT AREA: SEE TABLE IN SHEET 2 FOR PLATING OPTION.
 SOLDER TAILS: IN-LEAD (Sn-Pb): THICKNESS=2.54 μM/(100 μIN) MIN.
 UNDERPLATE: 1.27 μM/(50 μIN) MIN NICKEL (Ni).

EC NO. S2003-0190 DRWN: COLYNN 021021 CHK: PT LIM 030327 APPR: SK TOH 030328	QUALITY SYMBOLS MAJOR $\blacktriangledown = 0$ CRITICAL $\blacktriangledown = 0$	GENERAL TOLERANCES: (UNLESS SPECIFIED)		SCALE NTS	DESIGN UNITS	THIRD ANGLE PROJECTION <input type="checkbox"/> mm <input type="checkbox"/> INCH <input type="checkbox"/> mm <input type="checkbox"/> INCH <input checked="" type="checkbox"/> mm ONLY	DIMENSIONS:		SHT	REV	
			mm	INCH	<input type="checkbox"/> mm <input type="checkbox"/> INCH		<input type="checkbox"/> mm <input type="checkbox"/> INCH	<input type="checkbox"/> mm ONLY	3	B	
		4 PLACES	±0. -	±.					2	B	
		3 PLACES	±0. -	±.					1	B	
		1 PLACE	±0. 15	±.							
		ANGULAR: ± - °		DRAWN BY & DATE COLYNN 001027		TITLE: 1.27 MM PITCH DDR DIMM 184 CKT SINGLE KEY SALES DRAWING					
				CHECKED BY & DATE DAVID 001027		MOLEX INCORPORATED					
				APPROVED BY & DATE SK TOH 001031							
				CAD FILENAME SD-87656-001.S01	MATERIAL NO. SEE TABLE	DRAWING NO. SD-87656-001	SHEET NO. 1 OF 3				
				THIS DRAWING CONTAINS INFORMATION THAT IS PROPRIETARY TO MOLEX INCORPORATED AND SHOULD NOT BE USED WITHOUT WRITTEN PERMISSION.							SIZE A3

PART NUMBER	DATUM VOLTAGE KEY	PACKAGING TYPE	DIM "T"	CONTACT AREA PLATING OPTION	RECOMMENDED PCB THICKNESS	
87656-0001	CENTER (1.8V)	TRAY	3.23	15 UIN MIN. GOLD ON CONTACT AREA	2.36	
87656-0002	LEFT (2.5V)				1.57	
87656-0011	CENTER (1.8V)		2.67		1 UIN MIN. GOLD FLASH ON CONTACT AREA	2.36
87656-0012	LEFT (2.5V)					1.57
87656-0004	LEFT (2.5V)		3.23	2.67	2.36	
87656-0005	CENTER (1.8V)				1.57	
87656-0014	LEFT (2.5V)		3.23	2.67	2.36	
87656-0015	CENTER (1.8V)				1.57	



RECOMMENDED P.C. BOARD HOLE PATTERN
(CONNECTOR SIDE)

EC NO. S2003-0190 DRWN: COLYNN 021021 CHK: PT LIM 030327 APPR: SK TOH 030328	QUALITY SYMBOLS MAJOR ▼ = 0 CRITICAL ▽ = 0	GENERAL TOLERANCES: (UNLESS SPECIFIED)	SCALE NTS		DESIGN UNITS	THIRD ANGLE PROJECTION	DIMENSIONS:	SHT	REV
			mm	INCH	<input checked="" type="checkbox"/> mm <input type="checkbox"/> INCH	<input type="checkbox"/> mm <input type="checkbox"/> INCH	<input checked="" type="checkbox"/> mm ONLY	REVISE ON CAD ONLY	
B	DESCRIPTION	4 PLACES	±0. -	±.	DRAWN BY & DATE COLYNN 001027		TITLE: 1.27 MM PITCH DDR DIMM		
		3 PLACES	±0. -	±.	CHECKED BY & DATE DAVID 001027		184 CKT SINGLE KEY SALES DRAWING		
		2 PLACES	±0.15	±.	APPROVED BY & DATE SK TOH 001031		MOLEX INCORPORATED		
		1 PLACE	±0. -	±.	CAD FILENAME	MATERIAL NO.	DRAWING NO.	SHEET NO.	
		ANGULAR: ± - °			SD-87656-001.S02	SEE TABLE	SD-87656-001	2 OF 3	
THIS DRAWING CONTAINS INFORMATION THAT IS PROPRIETARY TO MOLEX INCORPORATED AND SHOULD NOT BE USED WITHOUT WRITTEN PERMISSION.									SIZE A3

