

NOTES:

1. MATERIALS

HOUSING - HIGH TEMP. NYLON, GLASS FILLED, UL 94V-0,  
COLOR: BLACK

EJECTOR - HIGH TEMP. NYLON, GLASS FILLED, UL 94V-0,  
COLOR: SEE TABLE IN SHEET 5

TERMINAL - COPPER ALLOY

2. PLATING - SEE TABLE IN SHEET 5.

3. CARD SLOT ACCEPTS 1.27±0.10 MM MODULE THICKNESS.  
(MEASURED OVER P.C. PADS)

4. RECOMMENDED MODULE LAYOUT SHALL BE AS PER JEDEC MO-256  
5. REFER TO PRODUCT SPEC. PS-87899-030 FOR PERFORMANCE SPECIFICATIONS.

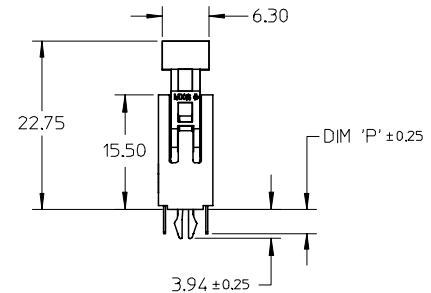
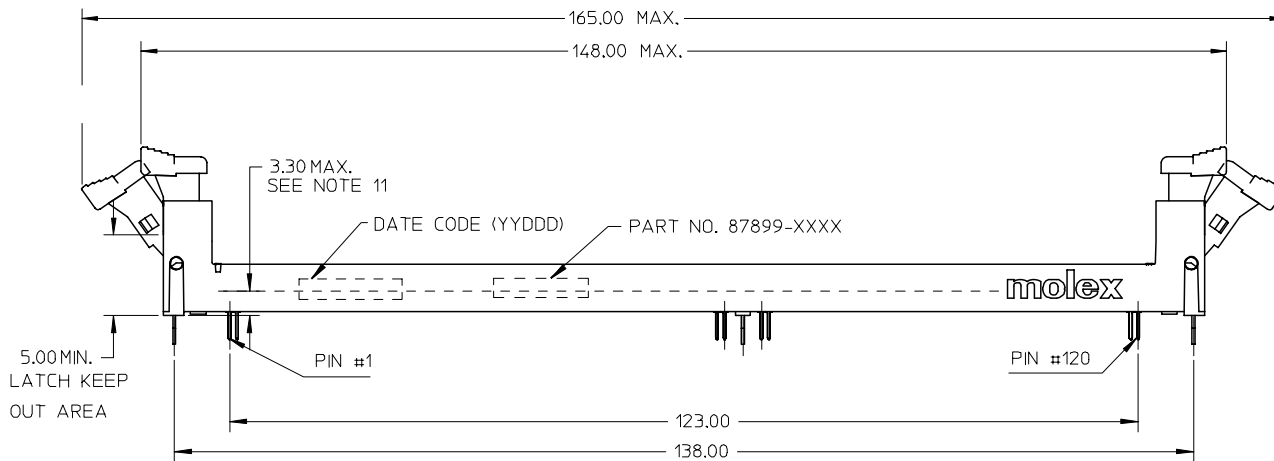
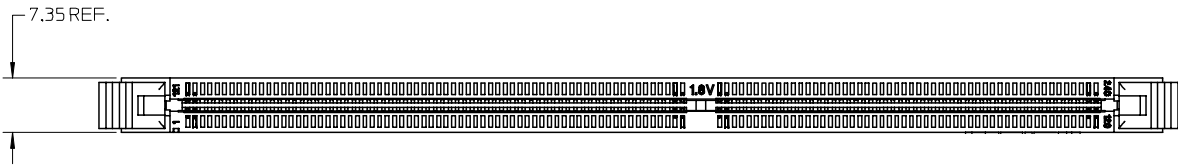
6. PRODUCT SHALL BE PACKED IN TRAY.

7. PRODUCT SHALL HAVE DATE CODE STAMPED ON SIDE OF HOUSING.  
8. KEEP OUT AREA IS THE AREA WHERE THE CONNECTOR IS MOUNTED ONTO THE PCB WHICH DOES NOT INCLUDE THE LATCH.

9. REFER TO CRITICAL JEDEC INFORMATION FOR SOCKET OUTLINE PER SO-003

10. DIMM MODULE SEATING PLANE FROM TOP OF PCB.

11. CONTACT MOLEX FOR AVAILABILITY OF PRODUCT OPTIONS.



EC NO: S2006-0313 DRWN:CTEH CHKD:SRAMESH APPR:GGLLEE	2005/10/07 2005/10/07 2005/10/10	QUALITY SYMBOLS ▽=0 ▽=0	GENERAL TOLERANCES (UNLESS SPECIFIED)		DIMENSION STYLE MM ONLY		SCALE NTS	DESIGN UNITS METRIC	THIRD ANGLE PROJECTION			
				mm	INCH	DRAWN BY SRRAMESH	DATE 2004/04/07	TITLE SALES DRAWING FB DDR2 DIMM, 1MM PITCH 240 CKTS, WITH FORK-LOCK				
			4 PLACES	±---	±---	CHECKED BY MLONG	DATE 2004/06/04	MOLEX INCORPORATED				
			3 PLACES	±---	±---	APPROVED BY GGLLEE	DATE 2004/06/04	MATERIAL NO. _____ DOCUMENT NO. SD-87899-001 SHEET NO. 1 OF 5				
B2	REV	DESCRIPTION	DRAFT WHERE APPLICABLE MUST REMAIN WITHIN DIMENSIONS		SIZE A3		THIS DRAWING CONTAINS INFORMATION THAT IS PROPRIETARY TO MOLEX INCORPORATED AND SHOULD NOT BE USED WITHOUT WRITTEN PERMISSION					

10 9 8 7 6 5 4 3 2 1

F F

E E

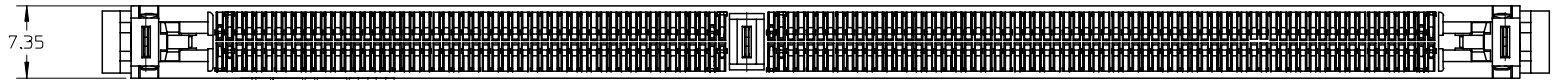
D D

C C

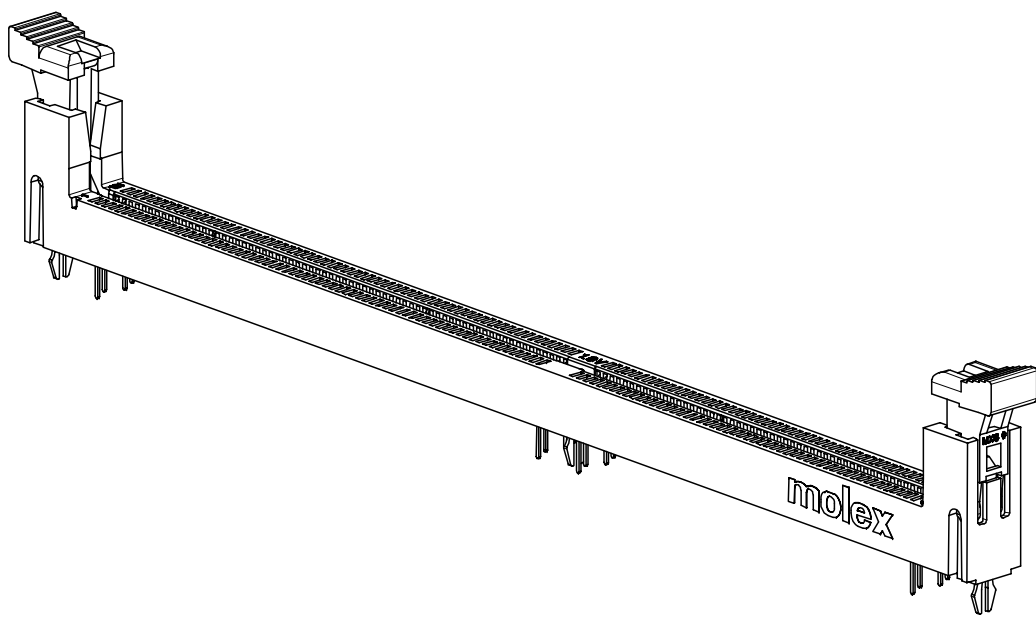
B B

A A

10 9 8 7 6 5 4 3 2 1

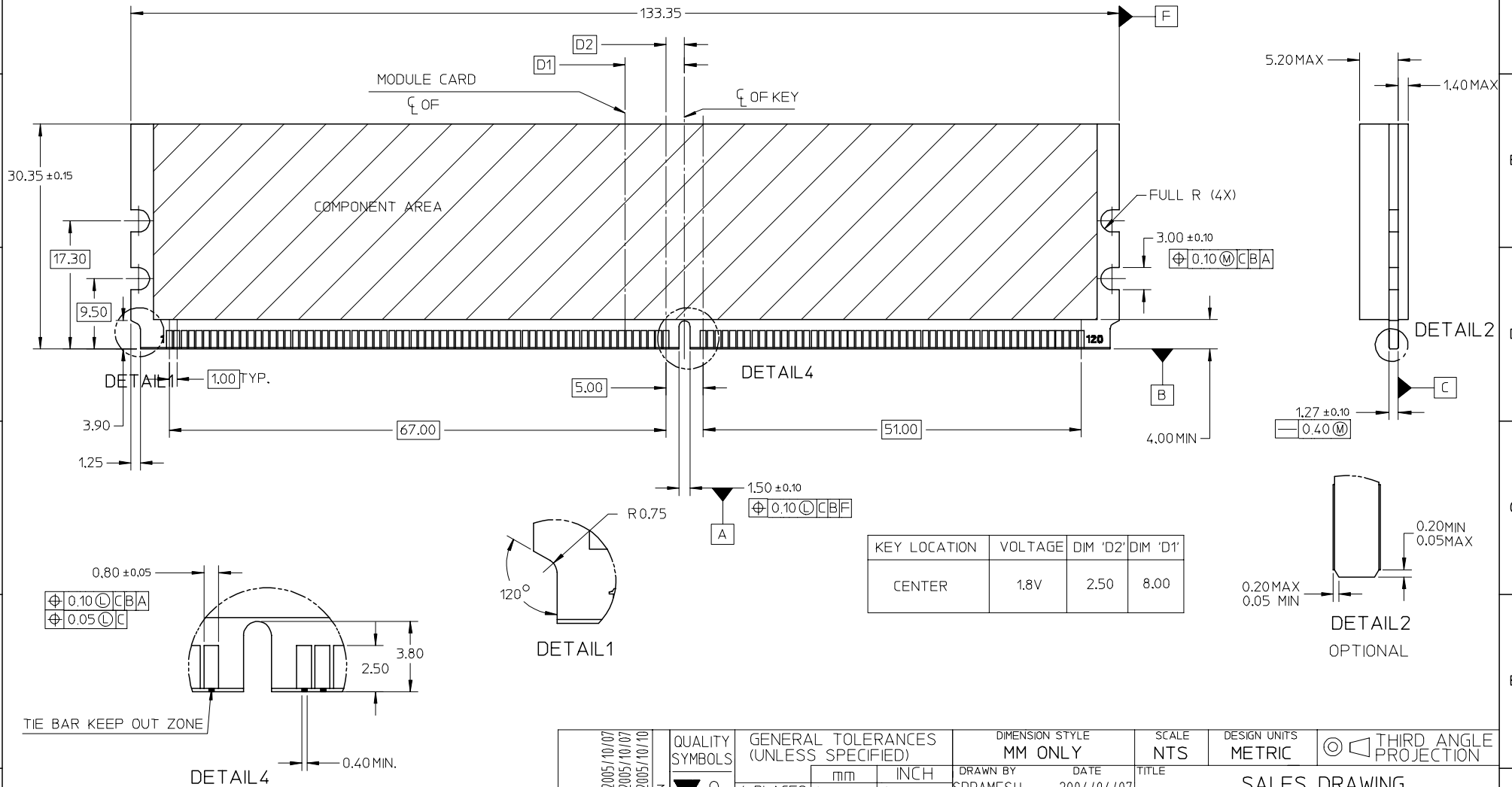


7.35



EC NO: S2006-0313 2005/10/07 DRWN:CTEH 2005/10/07 CHKD:SRAMESH APPR:GGLLEE 2005/10/10	QUALITY SYMBOLS ▽=0 ▽=0	GENERAL TOLERANCES (UNLESS SPECIFIED)		DIMENSION STYLE MM ONLY		SCALE NTS	DESIGN UNITS METRIC	THIRD ANGLE PROJECTION	
		4 PLACES ± --- ± --- 3 PLACES ± --- ± --- 2 PLACES ± 0.2 ± --- 1 PLACE ± --- ± --- ANGULAR ± 5 °	DRAWN BY SRAMESH 2004/04/07 CHECKED BY MLONG 2004/06/04 APPROVED BY GGLEE 2004/06/04	TITLE SALES DRAWING FB DDR2 DIMM, 1MM PITCH 240 CKTS, WITH FORK-LOCK		MOLEX INCORPORATED		DOCUMENT NO. SD-87899-001	
B2	REV	DRAFT WHERE APPLICABLE MUST REMAIN WITHIN DIMENSIONS		SEE TABLE		THIS DRAWING CONTAINS INFORMATION THAT IS PROPRIETARY TO MOLEX INCORPORATED AND SHOULD NOT BE USED WITHOUT WRITTEN PERMISSION			

RECOMMENDED MODULE LAYOUT  
(VARIATION AB, AS PER JEDEC MO-256A)



KEY LOCATION	VOLTAGE	DIM 'D2'	DIM 'D1'
CENTER	1.8V	2.50	8.00

TIE BAR KEEP OUT ZONE



EC NO: S2006-0313	2005/10/07	QUALITY SYMBOLS
DRWN:CTEH	2005/10/07	▽=0
CHKD:SRAMESH	2005/10/07	▽C=0
APPR:GGLLEE	2005/10/10	
REV	DESCRIPTION	
B2		

GENERAL TOLERANCES (UNLESS SPECIFIED)	mm	INCH
	4 PLACES ± ---	± ---
	3 PLACES ± ---	± ---
	2 PLACES ± 0.2	± ---
	1 PLACE ± ---	± ---
	ANGULAR ± 5 °	
DRAFT WHERE APPLICABLE MUST REMAIN WITHIN DIMENSIONS		

DIMENSION STYLE		SCALE	DESIGN UNITS	THIRD ANGLE PROJECTION
MM ONLY		NTS	METRIC	
DRAWN BY	DATE	TITLE		
SRRAMESH	2004/04/07	SALES DRAWING		
CHECKED BY	DATE	FB DDR2 DIMM, 1MM PITCH		
MLONG	2004/06/04	240 CKTS, WITH FORK-LOCK		
APPROVED BY	DATE	MOLEX INCORPORATED		
GGLLEE	2004/06/04			
MATERIAL NO.	DOCUMENT NO.	SHEET NO.		
	SD-87899-001	3 OF 5		

SALES DRAWING	
FB DDR2 DIMM, 1MM PITCH	
240 CKTS, WITH FORK-LOCK	
MOLEX INCORPORATED	
MATERIAL NO.	DOCUMENT NO.
	SD-87899-001
SHEET NO.	3 OF 5
THIS DRAWING CONTAINS INFORMATION THAT IS PROPRIETARY TO MOLEX INCORPORATED AND SHOULD NOT BE USED WITHOUT WRITTEN PERMISSION	

10 9 8 7 6 5 4 3 2 1

F

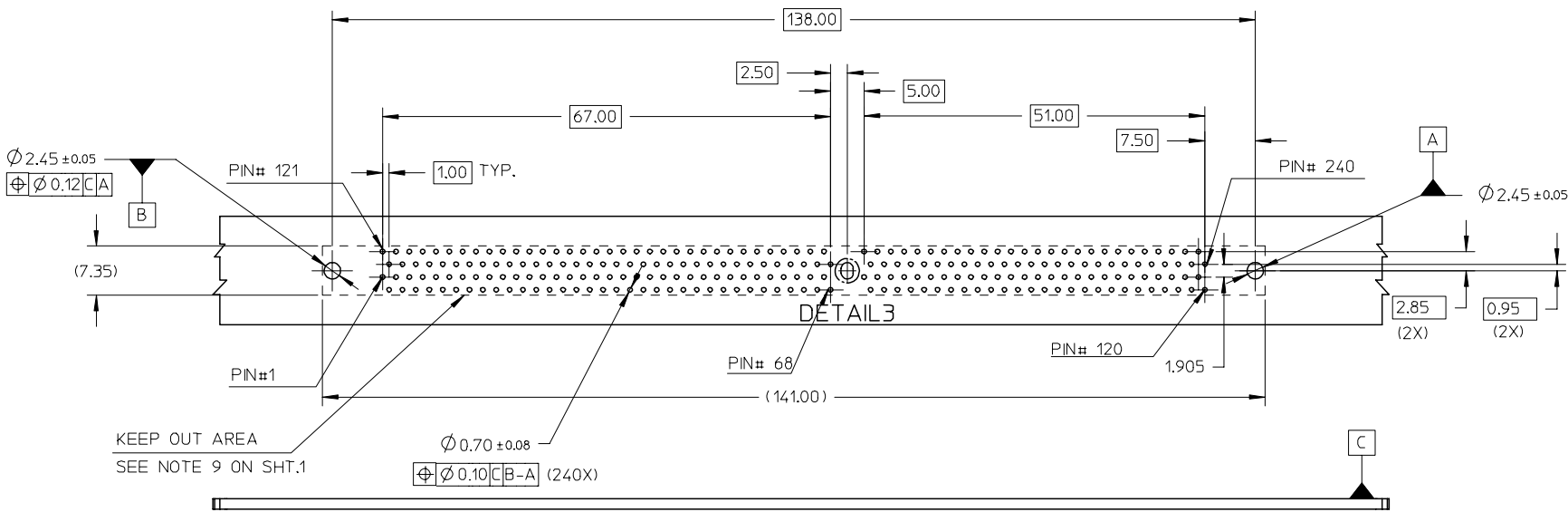
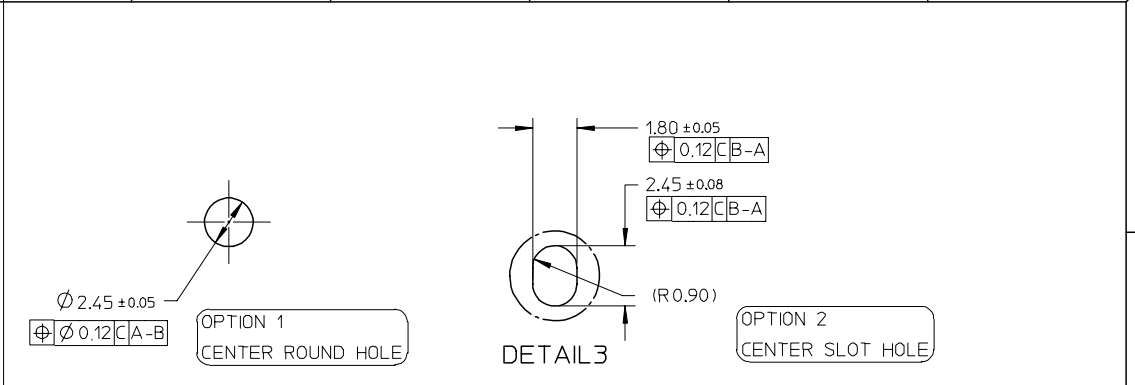
E

D

C

B

A



EC NO: S2006-0313 2005/10/07 DRWN:CTEH 2005/10/07 CHKD:SRAMESH 2005/10/07 APPR:GGLLEE 2005/10/10	QUALITY SYMBOLS ▽=0 ▽=0	GENERAL TOLERANCES (UNLESS SPECIFIED)		DIMENSION STYLE MM ONLY		SCALE NTS	DESIGN UNITS METRIC	THIRD ANGLE PROJECTION			
		4 PLACES ± --- ± ---	3 PLACES ± --- ± ---	2 PLACES ± 0.2 ± ---	1 PLACE ± --- ± ---	ANGULAR ± 5 °	DRAWN BY SRAMESH	DATE 2004/04/07	TITLE SALES DRAWING FB DDR2 DIMM, 1MM PITCH 240 CKTS, WITH FORK-LOCK		
		DRAFT WHERE APPLICABLE MUST REMAIN WITHIN DIMENSIONS		SEE TABLE		APPROVED BY GGLLEE		DATE 2004/06/04	MOLEX INCORPORATED		
		MATERIAL NO.		DOCUMENT NO. SD-87899-001		SHEET NO. 4 OF 5					

9 8 7 6 5 4 3 2 1

10 9 8 7 6 5 4 3 2 1

PART NO.	KEY POS.	DIM 'P'	RECOMEMDED PCB THICKNESS	PLATING OPTION	LATCH COLOR
87899-0021	CENTER (1.8V)	2.67	1.57	0.38uM / 15 uIN MIN. GOLD ON CONTACT, 2.54uM/ 100uIN MIN. PURE TIN ON SOLDERTAILS, 1.27uM/ 50uIN MIN. NICKEL UNDERPLATE	NATURAL (OFF WHITE)
87899-1021	CENTER (1.8V)	3.18	2.36		
87899-0051	CENTER (1.8V)	2.67	1.57	0.76uM / 30 uIN MIN. GOLD ON CONTACT, 2.54uM/ 100uIN MIN. PURE TIN ON SOLDERTAILS, 1.27uM/ 50uIN MIN. NICKEL UNDERPLATE	
87899-1051	CENTER (1.8V)	3.18	2.36		
87899-9001	CENTER (1.8V)	2.67	1.57	0.38uM / 15 uIN MIN. GOLD ON CONTACT, 2.54uM/ 100uIN MIN. TIN ON SOLDERTAILS, 1.27uM/ 50uIN MIN. NICKEL UNDERPLATE	BLACK
87899-8001	CENTER (1.8V)	3.18	2.36		

EC NO: S2006-0313 2005/10/07 DRWN:CCTEH 2005/10/07 CHKD:SRAMESH APPR:GGLLEE 2005/10/10	QUALITY SYMBOLS ▽=0 ▽=0	GENERAL TOLERANCES (UNLESS SPECIFIED)		DIMENSION STYLE MM ONLY		SCALE NTS	DESIGN UNITS METRIC	THIRD ANGLE PROJECTION		
		4 PLACES ± --- ± --- 3 PLACES ± --- ± --- 2 PLACES ± 0.2 ± --- 1 PLACE ± --- ± --- ANGULAR ± 5 °	mm INCH ± --- ± --- ± 0.2 ± --- ± --- ± --- ± 5 °	DRAWN BY SRAMESH	DATE 2004/04/07	TITLE SALES DRAWING FB DDR2 DIMM, 1MM PITCH 240 CKTS, WITH FORK-LOCK		MOLEX INCORPORATED		
B2	REV	DRAFT WHERE APPLICABLE MUST REMAIN WITHIN DIMENSIONS		SEE TABLE		APPROVED BY GGLLEE	DATE 2004/06/04	MATERIAL NO.	DOCUMENT NO. SD-87899-001	SHEET NO. 5 OF 5

9 8 7 6 5 4 3 2 1