

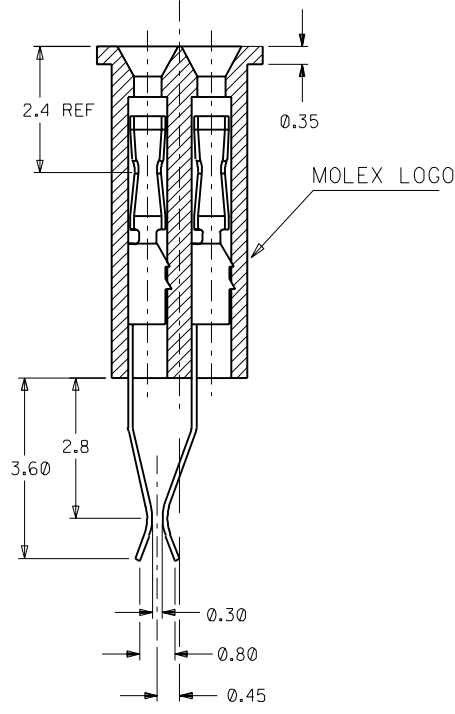
ENG. NO SDA-89074-*****

EDP NO.

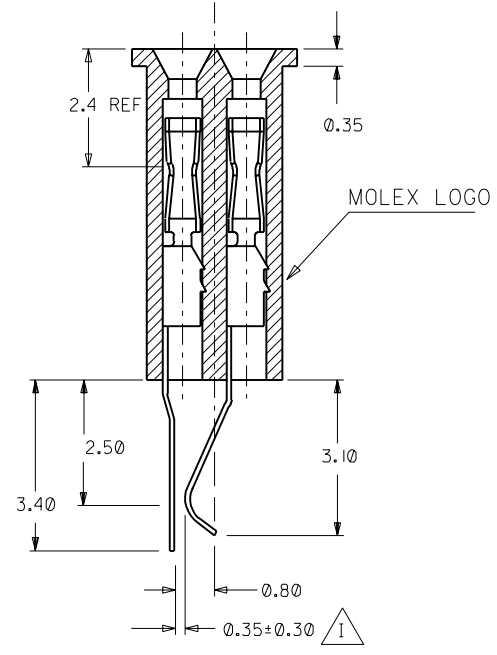
SIMILAR ITEM

CAD FILE : S8907402

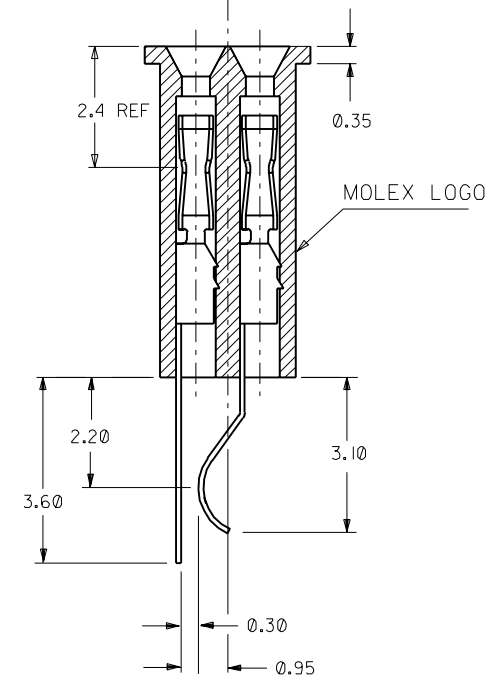
DO NOT SCALE DRAWING




A-89074-680*



A-89074-682*



A-89074-683*

K	OBSOLETE 89074-6832	2002-0024	MAX	010814	MATERIAL : FINISH : WIRE RANGE : INS. RANGE :	 MOLEX TAIWAN LTD. SHEET 2 OF 3
J	ADD 89074-688*	1999-0230	C.Wang	990316		
I	CHANGE 89074-682*	T99-061	THOMAS	980930		
H	NEW OPTION 89074-682*	T99-024	THOMAS	980804		
G	PER ECN T98-125		THOMAS	971003		
F	ADD TRAY PACKAGE	T98-004	THOMAS	970709		
E	PER ECN T97-340		JULIA	970409		
D	PER ECN T97-204		JULIA	970204		
C	PER ECN T96-310		JULIA	960213		
LTR	REVISION RECORD	ECN	DR	DATE		
REVISE ONLY ON CAD SYSTEM					APPR'D BY	SCALE 10 : 1
					TITLE : 68 CKT RECEPTACLE -PC CART KIT	

DO NOT SCALE DRAWING

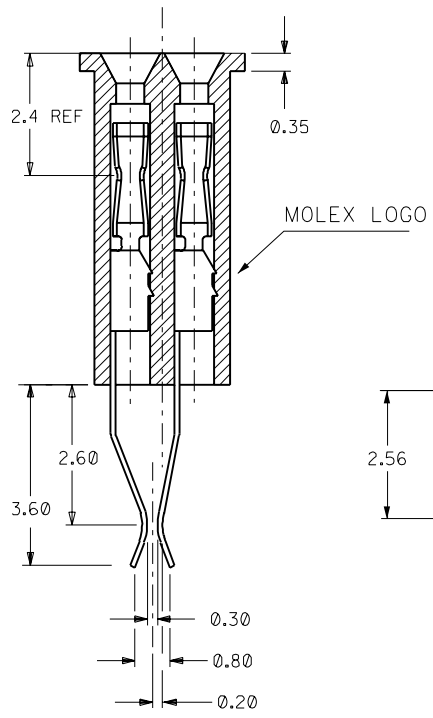
CAD FILE : S8907403

SIMILAR ITEM

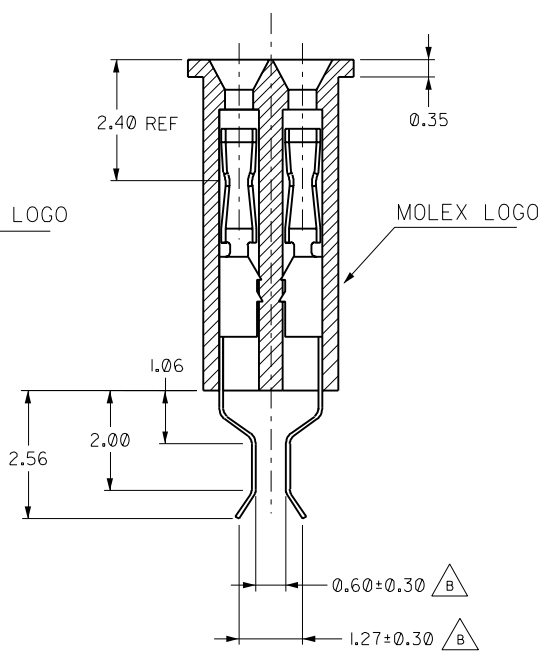
EDP NO.

ENG. NO SDA-89074-*****

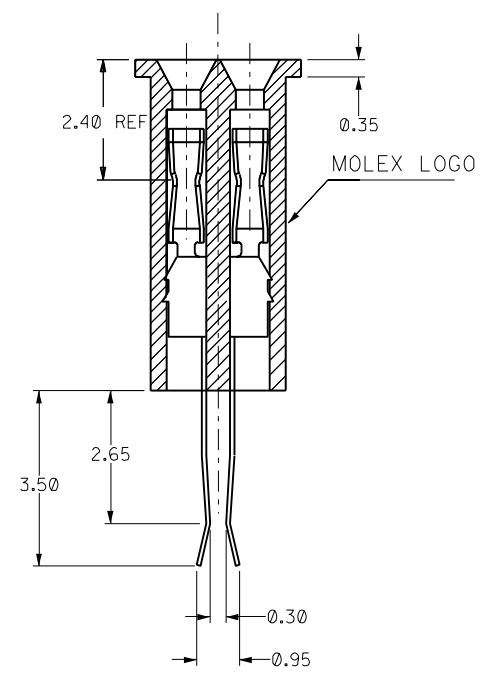
8 7 6 5 4 3 2 1



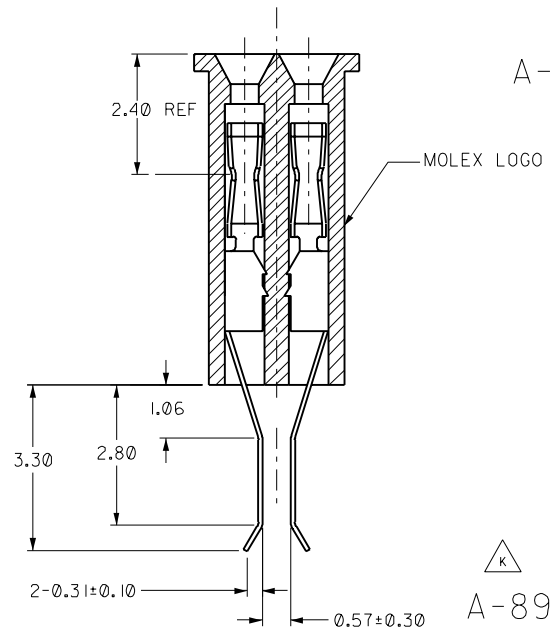
A-89074-685*



A-89074-686*



A-89074-688*



A-89074-689*

M	OBSOLETE 89074-6832	2002-0024	MAX	010814	MATERIAL : FINISH : WIRE RANGE : INS. RANGE :	MOLEX TAIWAN LTD. SHEET 3 OF 3 GENERAL TOLERANCES ANGLE : ± 3° DIM : ± .25 / .010 ENG. NO.: SDA-89074-*****	REV
L	PER EWR 2000-068	2000-0101	SAM	000323			M
K	PER PDR MXT-2474	2000-0174	SAM	000308			
J	ADD 89074-688*	1999-0230	G.Wang	990316			
I	CHANGE 89074-684*	T99-081	THOMAS	980930			
H	NEW OPTION 89074-684*	T99-024	THOMAS	980804			
G	PER ECN T98-125		THOMAS	971003			
F	ADD TRAY PACKAGE	T98-004	THOMAS	970709			
E	PER ECN T97-340		JULIA	970409			
LTR	REVISION RECORD	ECN	DR	DATE	DRAWN BY LYC 940414	CHK'D BY	
REVISE ONLY ON CAD SYSTEM					APPR'D BY	SCALE 10 : 1	