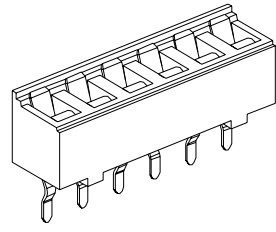
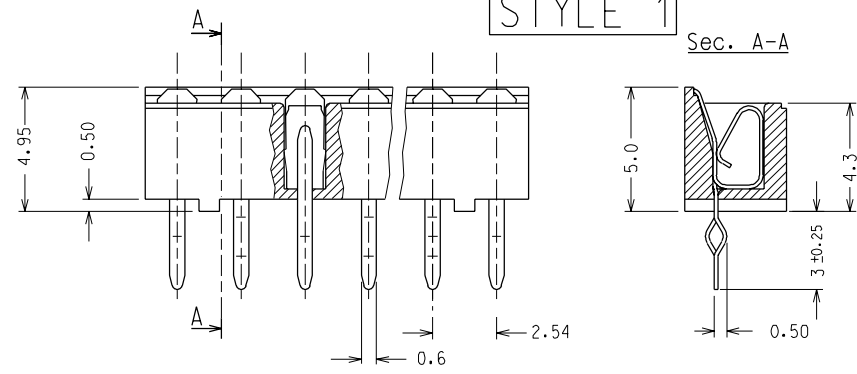
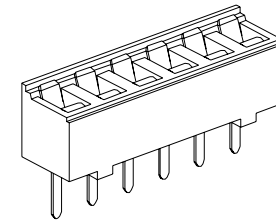
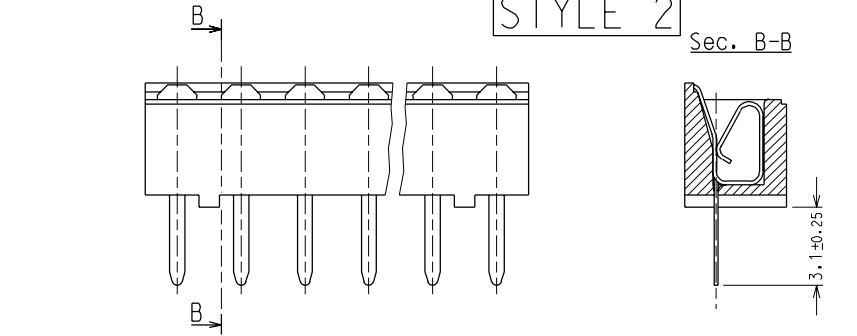


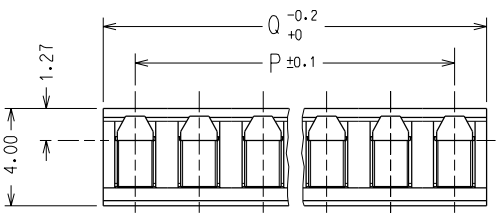
STYLE 1



STYLE 2



STYLE 1 CODICE P/Nos	STYLE 2 CODICE P/Nos	N° VIE CKTS	DIMENSIONI DIMENSIONS		STANDARD PACKING QUANTITY
			P	Q	
94100 - 0107	94100 - 0207	7	15.24	17.78	12480
94100 - 0108	94100 - 0208	8	17.78	20.32	10816
(NOT TOOLED)	(NOT TOOLED)	9	20.32	22.86	9568
94100 - 0110	94100 - 0210	10	22.86	25.40	8736
94100 - 0112	94100 - 0212	12	27.94	30.48	7072
94100 - 0114	94100 - 0214	14	33.02	35.56	6240
94100 - 0116	94100 - 0216	16	38.10	40.64	5408
94100 - 0120	94100 - 0220	20	48.26	50.80	4160
(NOT TOOLED)	94100 - 0235	35	86.36	88.90	2496



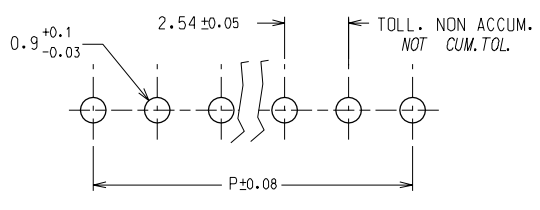
FORATURA RACCOMANDATA SUL C.S.
RECOMMENDED PCB LAYOUT

- *) Forza di inserzione nel C.S.
max 50 g. per pin
- *) Insertion force into the
PCB holes: 50 gr/pin max
- *) Forza di ritenzione nel C.S.
min 5 g. per pin
- *) Retention force in the
PCB holes: 5 gr/pin min

SOLO PER STILE 1
FOR STYLE 1 ONLY

MATERIALE / MATERIAL:
HOUSING: PBT NERO 30% F.V. UL 94 V0
HOUSING: BLACK PBT, 30% G.F.JUL 94 V 0
CONTATTI: BRONZO FOSFOROSO spess. 0.15 mm
FINITURA: PRESTAGNATO
CONTACTS: PHOSPHOR BRONZE, 0.15 mm THICK
FINISH: PRETINNED
CONFEZIONAMENTO: IN TUBI
PKG: IN TUBES

STD. DESCR. FOR STYLE 1: "SIP SOCKET KINKED (insert circuit number) CKT"
FOR STYLE 2: "SIP SOCKET (insert circuit number) CKT"



EC NO. Z2002-0018 DRWNS: S. BARBIERI 29-08-01 CHK: M. TESTAGUZZA 29-08-01 APPR: R. MARTUCCI 29-08-01	QUALITY SYMBOLS MAJOR M = SIGNIF. S = CRITICAL C =	GENERAL TOLERANCES: (UNLESS SPECIFIED)		SCALE 5:1	DESIGN UNITS <input checked="" type="checkbox"/> mm <input type="checkbox"/> INCH	FIRST ANGLE PROJECTION	DIMENSIONS:		SHT	REV
		mm	INCH	mm ONLY	mm ONLY		INCH ONLY	mm ONLY	INCH ONLY	mm ONLY
1	REV	DRAWN BY & DATE E. FASOLO 10-02-97		TITLE: ZOCOLO IN SINGOLA FILA "SINGLE IN LINE" SOCKET		MATERIAL NO. VEDI TABELLA SEE CHART		DRAWING NO. SD-94100-001		SHEET NO. 1/1
		CHECKED BY & DATE S. SORATO 10-02-97		APPROVED BY & DATE M. PREVIATO 10-02-97		MATERIAL NO. VEDI TABELLA SEE CHART		DRAWING NO. SD-94100-001		SHEET NO. 1/1
DRAFT WHERE APPLICABLE MUST REMAIN WITHIN DIMENSIONS		ANGULAR: ± °		CAD FILENAME		MATERIAL NO. VEDI TABELLA SEE CHART		DRAWING NO. SD-94100-001		SHEET NO. 1/1
THIS DRAWING CONTAINS INFORMATION THAT IS PROPRIETARY TO MOLEX INCORPORATED AND SHOULD NOT BE USED WITHOUT WRITTEN PERMISSION.										SIZE A3