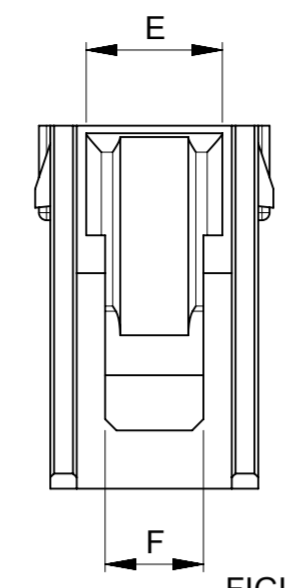
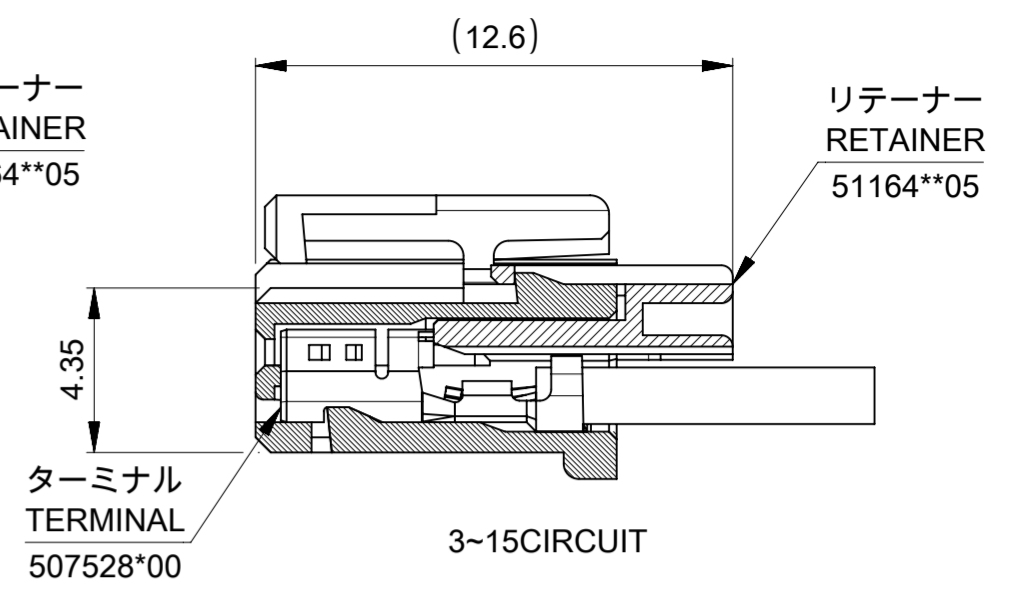
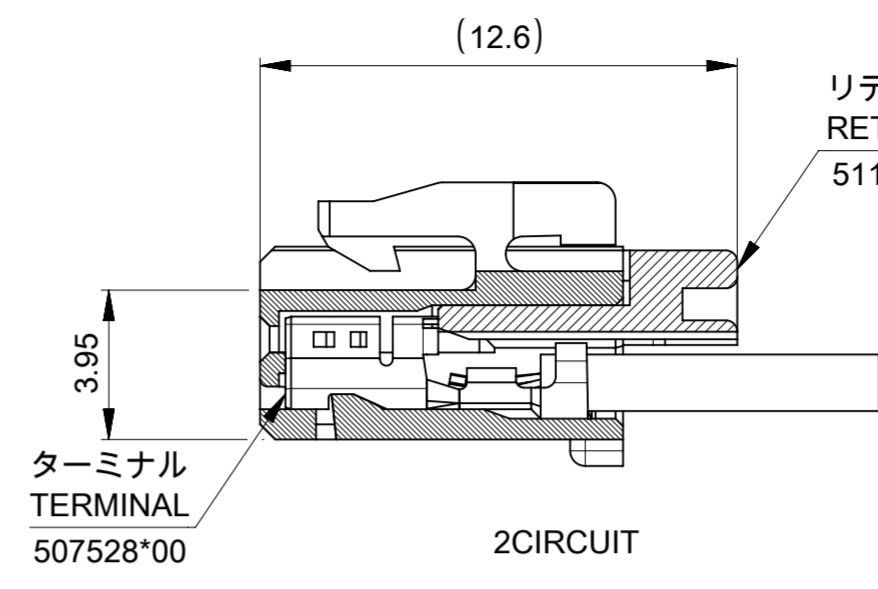


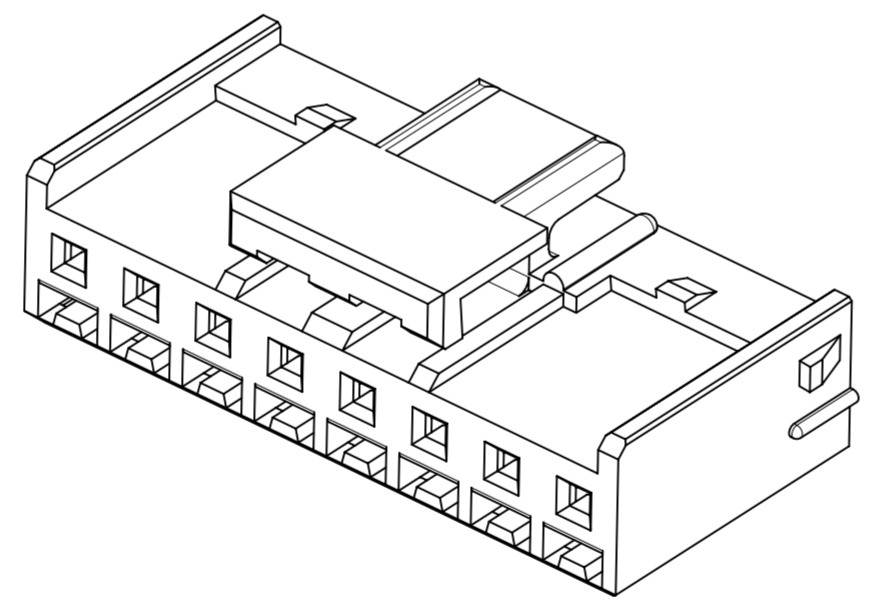
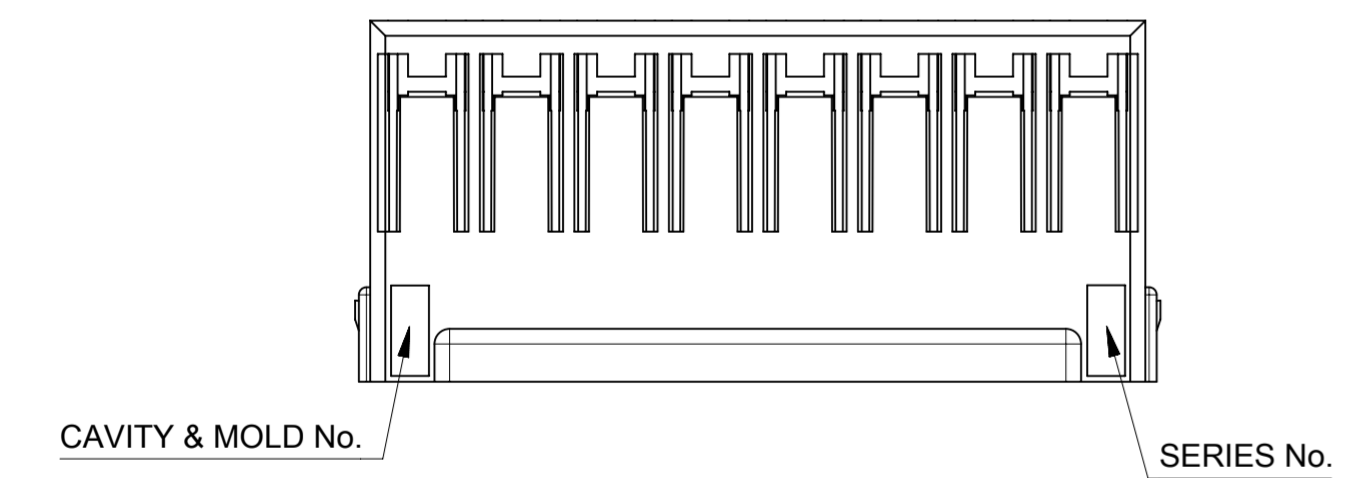
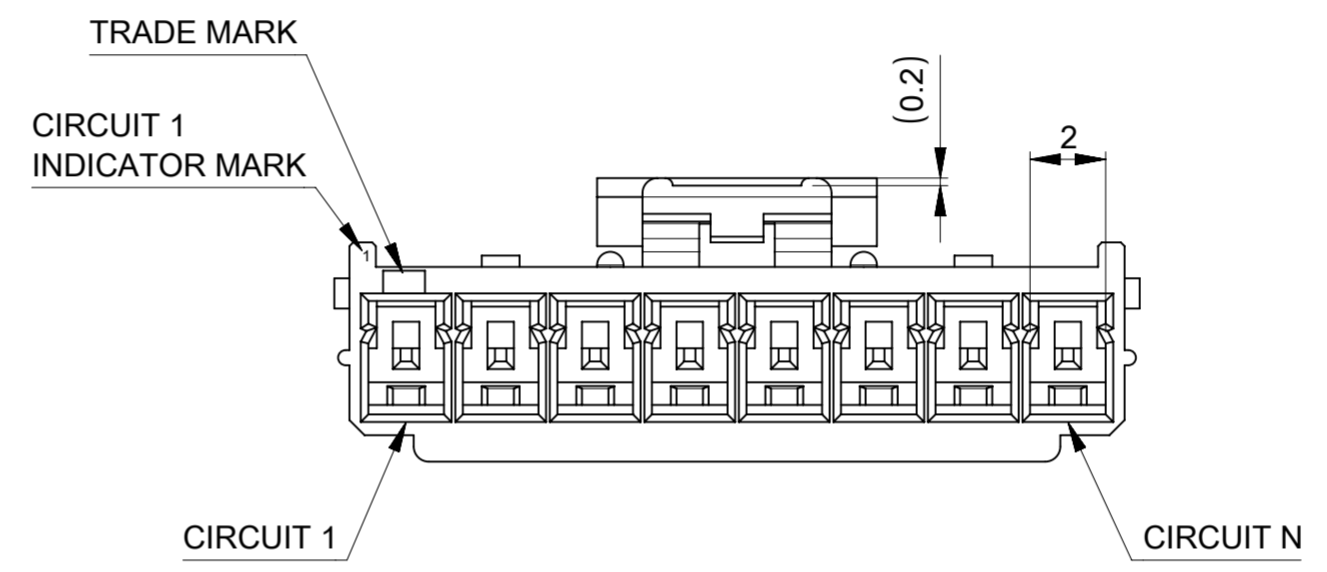
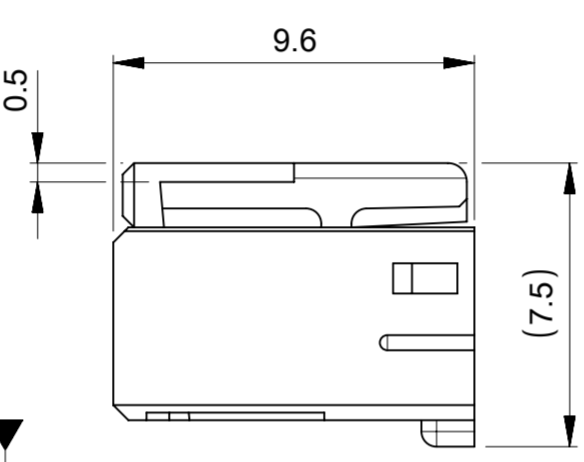
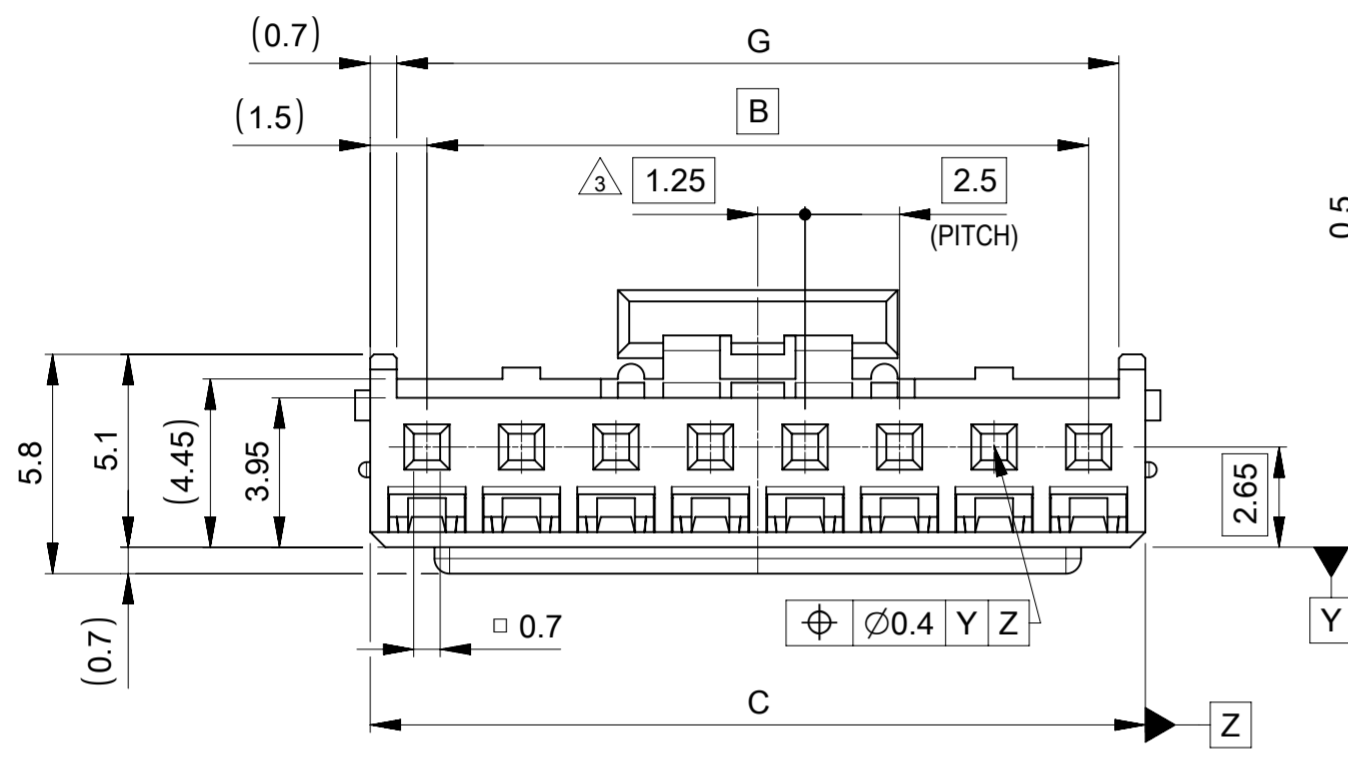
2極ロック形状
2CIRCUIT LOCK FORM



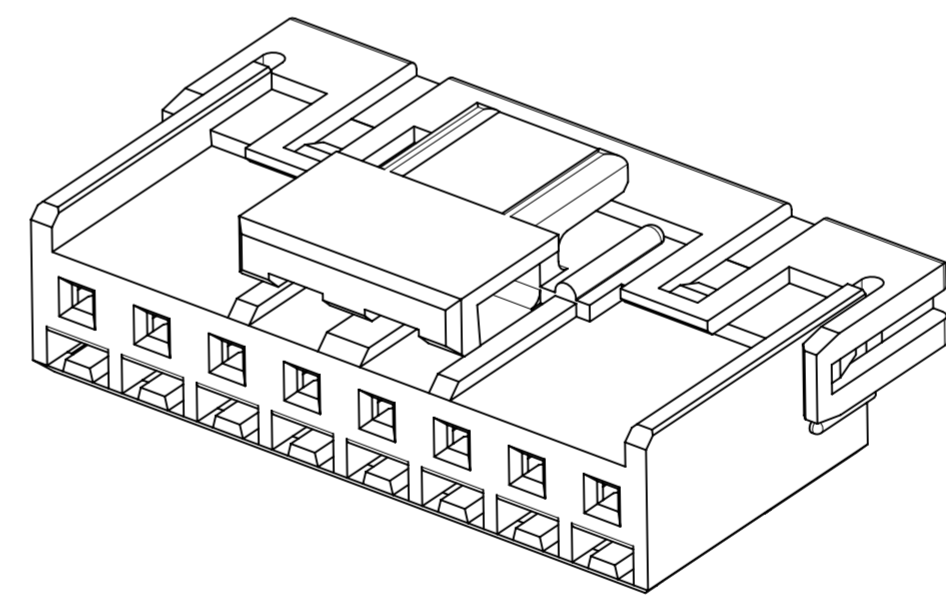
2極形状
FIGURE OF 2 CIRCUIT



ターミナル及びリテーナー装着状態図
TERMINAL AND RETAINER ASSEMBLY DRAWING



リテーナー未装着状態図
ASSEMBLY DRAWING



リテーナー装着状態図
RETAINER ASSEMBLY DRAWING

							HOUSING COLOR		
							NATURAL(WHITE)		
36.6	7.4	5	12.5	38	35	38.8	511631500	15	
34.1	7.4	5	12.5	35.5	32.5	36.3	511631400	14	
31.6	7.4	5	12.5	33	30	33.8	511631300	13	
29.1	7.4	5	12.5	30.5	27.5	31.3	511631200	12	
26.6	7.4	5	12.5	28	25	28.8	511631100	11	
24.1	7.4	5	12.5	25.5	22.5	26.3	511631000	10	
21.6	7.4	5	12.5	23	20	23.8	511630900	9	
19.1	7.4	5	12.5	20.5	17.5	21.3	511630800	8	
16.6	7.4	5	-	18	15	18.8	511630700	7	
14.1	7.4	5	-	15.5	12.5	16.3	511630600	6	
11.6	7.4	5	-	13	10	13.8	511630500	5	
9.1	7.4	5	-	10.5	7.5	11.3	511630400	4	
6.6	5	3	-	8	5	8.8	511630300	3	
4.1	2.6	3.6	-	5.5	2.5	6.3	511630200	2	
G	F	E	D	C	B	(A)	発注番号 ORDER No.	極数 CIRCUIT SIZE	

NOTE
 1. 材料：TABLE1参照
 MATERIAL:SEE TABLE1
 2. 適合ハウジング,嵌合相手,関連ドキュメントについてはSHEET 2 を御参照下さい。
 PLEASE REFER TO SHEET 2 FOR APPLICABLE HOUSING, MATING PARTNER
 AND RELATED DOCUMENTS.
 3. 偶数極に適用。
 APPLY FOR EVEN CIRCUIT.
 4. 本製品のプラスチック部に黒点等が確認される場合や、色合いが異なる場合が御座いますが、
 製品性能に影響は御座いません。
 THERE IS NO INFLUENCE IN THE PRODUCT PERFORMANCE THOUGH THE BLACK SPOT ETC.
 MIGHT BE CONFIRMED TO THE PLAXTIC PART OF THIS PRODUCT AND THE SHADE MIGHT BE DIFFERENT.

TABLE1

部品 PART	材質 MATERIAL
ハウジング HOUSING	ポリエステル(PBT):ガラス非含有,UL94V-0,色:ナチュラル(白) POLYESTER(PBT):GLASS UNFILLED,UL94V-0,COLOR:NATURAL(WHITE)

DOCUMENT STATUS	P1	RELEASE DATE	2020/09/28	04:28:58
-----------------	----	--------------	------------	----------

THIS DRAWING CONTAINS INFORMATION THAT IS PROPRIETARY TO MOLEX ELECTRONIC TECHNOLOGIES, LLC AND SHOULD NOT BE USED WITHOUT WRITTEN PERMISSION

DIMENSION UNITS	SCALE	CURRENT REV DESC: RELEASED
mm	NTS	
GENERAL TOLERANCES (UNLESS SPECIFIED)		
ANGULAR TOL	± 3.0°	
4 PLACES	± 0.2	EC NO: 646034
3 PLACES	± 0.2	DRWN: RWATANABE01 2019/04/22
2 PLACES	± 0.2	CHK'D: AIDA 2020/09/28
1 PLACE	± 0.2	APPR: SAKIYAMA 2020/09/28
0 PLACES	± 0.2	INITIAL REVISION:
DRAFT WHERE APPLICABLE MUST REMAIN WITHIN DIMENSIONS		
THIRD ANGLE PROJECTION	DRAWING	SERIES
	A2-SIZE	51163
DOCUMENT NUMBER		DOC TYPE DOC PART REVISION
511630000-SD		PSD 000 A
MATERIAL NUMBER		CUSTOMER
51163		GENERAL
SHEET NUMBER		1 OF 2

molex
 MINI-LOCK 2.5
 SINGLE ROW RECEPTACLE HOUSING WITH
 RETAINER
 PRODUCT CUSTOMER DRAWING

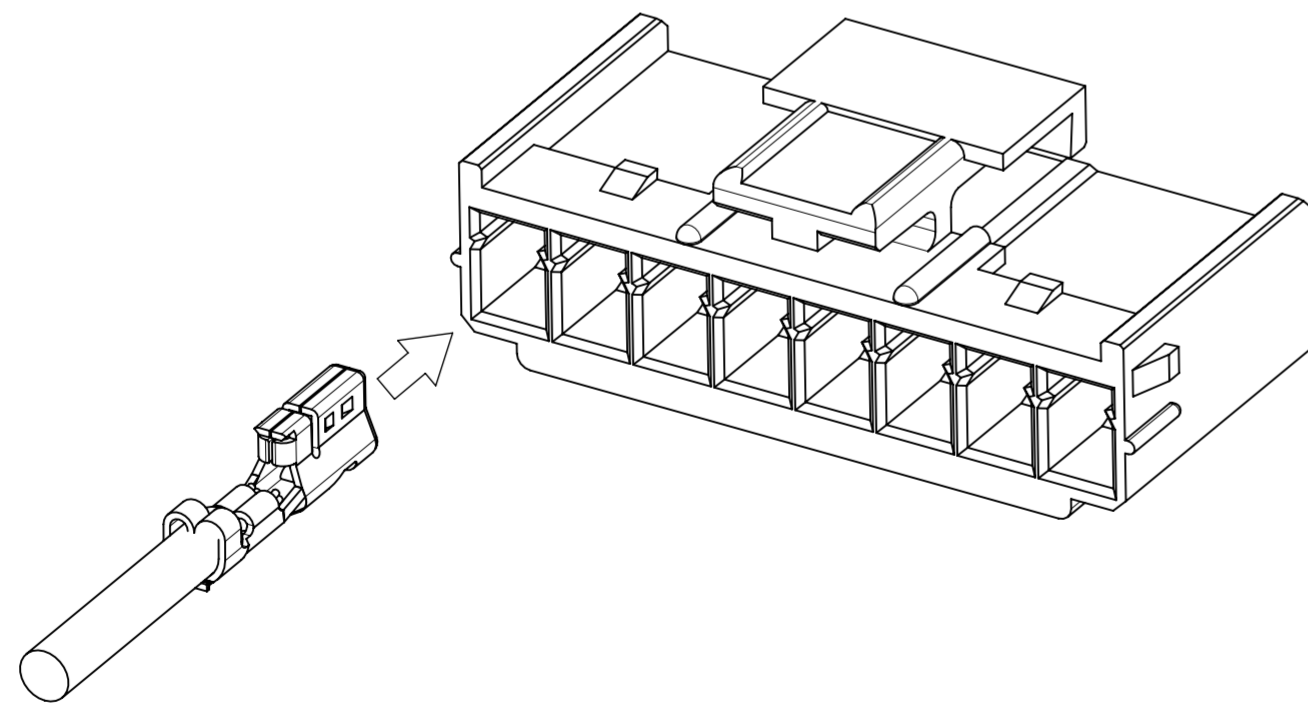
△ 適合製品及び各種仕様書
 APPLICABLE PRODUCT AND VARIOUS SPECIFICATIONS

梱包仕様書 PACKAGING SPECIFICATION	PART NUMBER	SPECIFICATION NUMBER
	51163**0*	SPK-51163-001

適合端子 APPLICABLE TERMINAL	PART NUMBER	PLATING TYPE	WIRE SIZE(AWG)
	507528200	TIN	#20-#22
	507528400	TIN	#24-#26

適合リテーナー APPLICABLE RETAINER	51164		
シリーズ番号 SERIES No.			
適合嵌合相手 MATE WITH	THROUGH HOLE		
	VERTICAL	VERTICAL (FOR POTTING)	RIGHT ANGLE
	TIN PLATING		TIN PLATING
シリーズ番号 SERIES No.	53375	53517	53426
製品仕様書 PRODUCT SPECIFICATION	511630000-PS PS 000		
取扱説明書 APPLICATION SPECIFICATION	2166940000-AS PS 000		

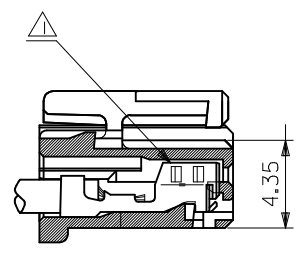
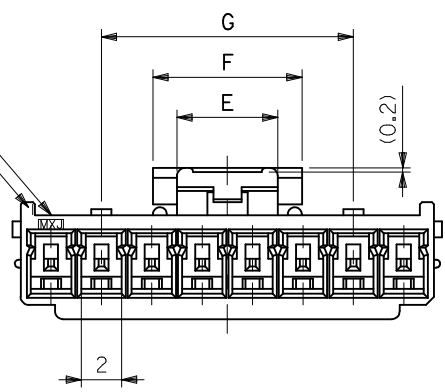
製品嵌合図は各"適合嵌合相手"図面参照のこと
 MATING VIEW : REFER TO EACH "MATE WITH" PART DRAWING.



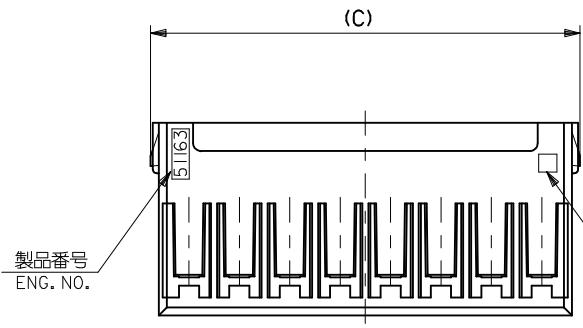
圧着ケーブル挿入方向
 HARNESS ASSY INSERTION DIRECTION

THIS DRAWING CONTAINS INFORMATION THAT IS PROPRIETARY TO MOLEX ELECTRONIC TECHNOLOGIES, LLC AND SHOULD NOT BE USED WITHOUT WRITTEN PERMISSION									
DIMENSION UNITS	SCALE	CURRENT REV DESC: RELEASED				molex			
mm	NTS								
GENERAL TOLERANCES (UNLESS SPECIFIED)						MINI-LOCK 2.5 SINGLE ROW RECEPTACLE HOUSING WITH RETAINER			
ANGULAR TOL	± 3.0°	EC NO: 646034				PRODUCT CUSTOMER DRAWING			
4 PLACES	± 0.2	DRWN: RWATANABE01		2019/04/22		DOCUMENT NUMBER 511630000-SD			
3 PLACES	± 0.2	CHK'D: AIDA		2020/09/28					
2 PLACES	± 0.2	APPR: SAKIYAMA		2020/09/28		DOC TYPE		DOC PART	
1 PLACE	± 0.2	INITIAL REVISION:				PSD		000	
0 PLACES	± 0.2	DRWN: RWATANABE01		2019/04/22		REVISION		A	
DRAFT WHERE APPLICABLE MUST REMAIN WITHIN DIMENSIONS		THIRD ANGLE PROJECTION		DRAWING	SERIES	MATERIAL NUMBER	CUSTOMER	SHEET NUMBER	
				A2-SIZE	51163	3	GENERAL	2 OF 2	

△
トレードマーク
TRADE MARK
回路番号 1
CIRCUIT NO.1

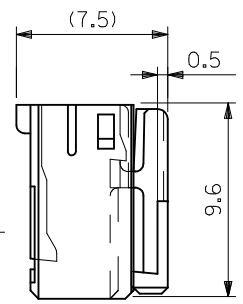


ターミナル装着状態図
TERMINAL ASSEMBLY DRAWING

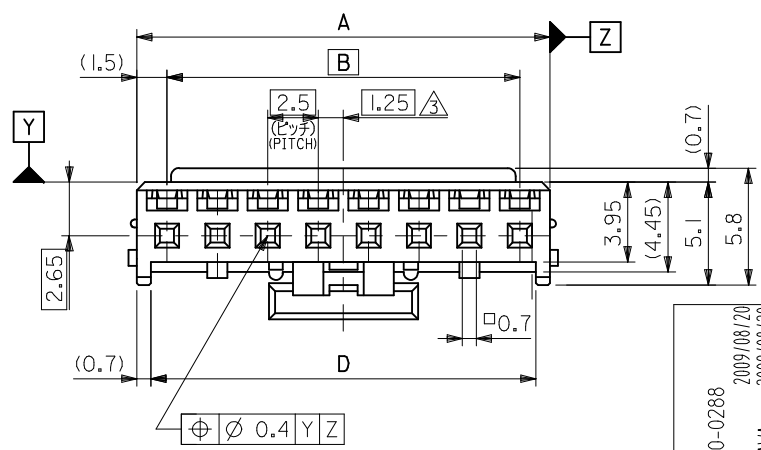


製品番号
ENG. NO.

△
キャビティー番号
及び金型番号
CAVITY NO.
AND MODEL NO.



12.5	7.4	5	36.6	38.8	35	38	51163-158*	15
↑	↑	↑	34.1	36.3	32.5	35.5	↑ -148*	14
			31.6	33.8	30	33	↑ -138*	13
			29.1	31.3	27.5	30.5	↑ -128*	12
			26.6	28.8	25	28	↑ -118*	11
			24.1	26.3	22.5	25.5	↑ -108*	10
↓			21.6	23.8	20	23	↑ -098*	9
12.5			19.1	21.3	17.5	20.5	↑ -088*	8
			16.6	18.8	15	18	↑ -078*	7
			14.1	16.3	12.5	15.5	↑ -068*	6
			11.6	13.8	10	13	↑ -058*	5
	7.4	5	9.1	11.3	7.5	10.5	↑ -048*	4
	5	3	6.6	8.8	5	8	↑ 51163-038*	3
G	F	E	D	(C)	B	A	MATERIAL AND ORDER No. △	CIRCUIT No.



REVISED
EC NO: J2010-0288
DRWN: YG010 2009/08/20
CHKD: KASAKAWA 2009/08/20
APPR: NUKITA 2009/08/24

DESCRIPTION
GENERAL TOLERANCES (UNLESS SPECIFIED)
10 UNDER ±0.2
10 OVER 30 UNDER ±0.25
30 OVER ±0.3
ANGULAR ±3 °
DRAFT WHERE APPLICABLE MUST REMAIN WITHIN DIMENSIONS

DIMENSION STYLE
MM ONLY
DRAWN BY K. HARADA
DATE 1997/10/2
CHECKED BY T. ITO
DATE 1997/11/12
APPROVED BY M. FUKUSHIMA
DATE 1997/11/12
MATERIAL NO.
ENTER PART

SCALE 4:1
DESIGN UNITS METRIC
THIRD ANGLE PROJECTION
TITLE 2.5 W/B CONN HSG (POSITIVE LOCK)
MOLEX MOLEX INCORPORATED
DOCUMENT NO. SD-51163-**-00
SHEET NO. 1 OF 2
THIS DRAWING CONTAINS INFORMATION THAT IS PROPRIETARY TO MOLEX INCORPORATED AND SHOULD NOT BE USED WITHOUT WRITTEN PERMISSION

注記 NOTES

- △1 適合ターミナル：5035I-8*00
APPLICABLE TERMINAL : 5035I-8*00
- 2. 嵌合相手：53375,53426 シリーズ
MATE WITH : 53375,53426 SERIES
- △3 偶数極の製品に適用。
APPLY EVEN CIRCUIT PRODUCTS.
- △4 トレードマーク：Mプラス 1 ~ 2 文字のアルファベットにて構成。(例 MXJ)
但し "J" は JAPAN を示す。
FORMED BY M AND 1 ~ 2 MORE LETTER OF ALPHABET (e.g. MXJ)
(TO TRADE MARK), BUT "J" SHOW JAPAN.
- △5 キャビティー番号：1桁~2桁の数字
金型番号：アルファベット1文字にて構成。(例, 1A, 10B)
FORMED BY 1 DIGIT TO 2 DIGIT NUMBERS (TO CAVITY
NO.) AND BY 1 LETTER OF ALPHABET (TO MOLD NO.).
(e.g. 1A, 10B)
- △6 MATERIAL AND ORDER No.
51163-**00
極数
CIRCUIT SIZE
- 7. 材料:PBT, UL 94V-0
- 8. 色:白 WHITE (NATURAL)



REVISED
EC NO:
DRWN:Y.GOTO
CHKD:K.SAKAWA
APPR:
C
2009/08/20

DESCRIPTION	GENERAL TOLERANCES (UNLESS SPECIFIED)		DIMENSION STYLE MM ONLY	SCALE 4:1	DESIGN UNITS METRIC	THIRD ANGLE PROJECTION
	10 UNDER	±0.2	DRAWN BY K. HARADA	DATE 1997/10/2	TITLE 2.5 W/B CONN HSG (POSITIVE LOCK)	
REV	10 OVER 30 UNDER	±0.25	CHECKED BY T. ITO	DATE 1997/11/12	MOLEX INCORPORATED	
	30 OVER	±0.3	APPROVED BY M. FUKUSHIMA	DATE 1997/11/12	DOCUMENT NO. SD-51163-**00	SHEET NO. 2 OF 2
ANGULAR ±3 ° DRAFT WHERE APPLICABLE MUST REMAIN WITHIN DIMENSIONS			ENTER PART		THIS DRAWING CONTAINS INFORMATION THAT IS PROPRIETARY TO MOLEX INCORPORATED AND SHOULD NOT BE USED WITHOUT WRITTEN PERMISSION	
SIZE A3						