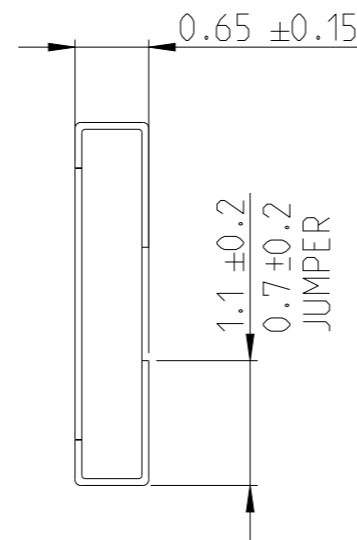
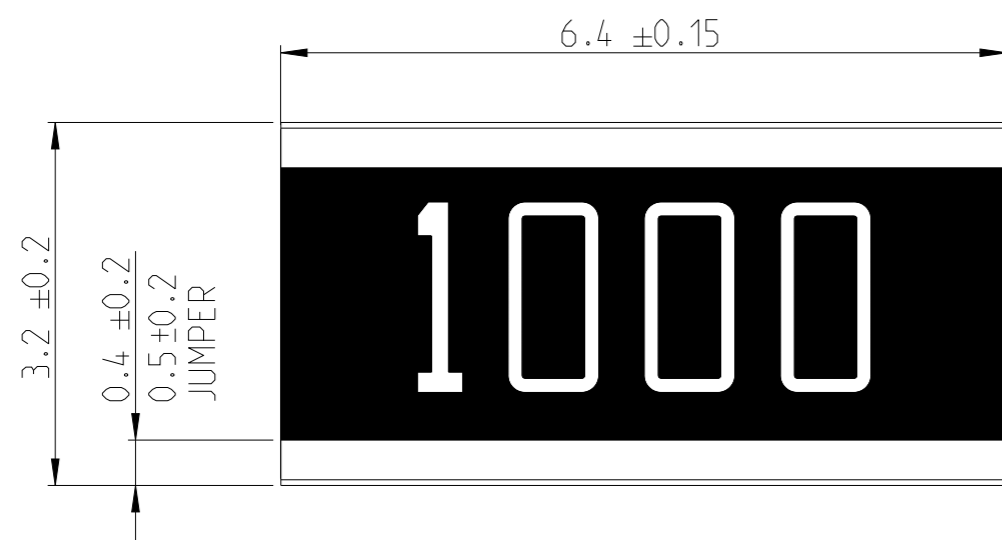
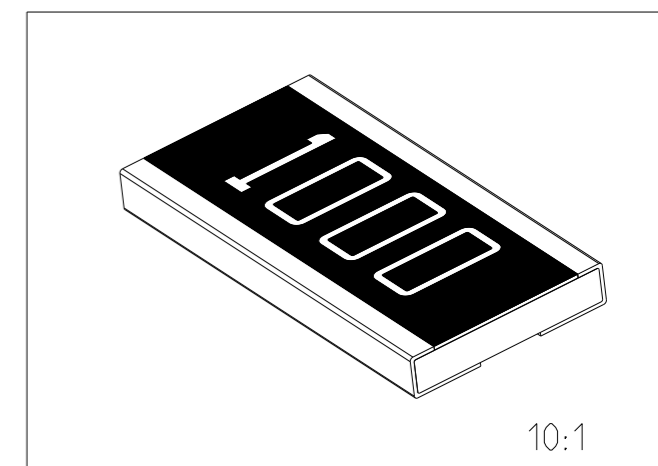
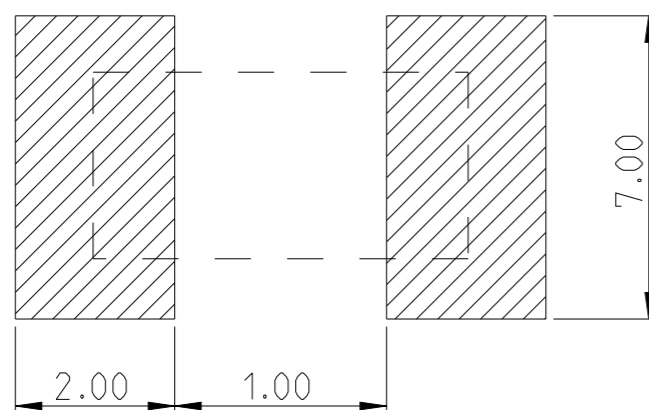


P	LTR	DESCRIPTION	DATE	DWN	APVD
	BA	INITIAL DRAWING RELEASE	19OCT2022	DM	AP



FOR FURTHER INFORMATION SEE DATA SHEET FOR 3430 SERIES AUTOMOTIVE GRADE WIDE TERMINAL CHIP RESISTOR

RECOMMENDED LAND PATTERN



RoHS Compliant

THIS DRAWING IS A CONTROLLED DOCUMENT.		DWN DHEERAJ M 19OCT2022					
DIMENSIONS: mm		CHK A. PILE 19OCT2022					
TOLERANCES UNLESS OTHERWISE SPECIFIED:		APVD A. PILE 19OCT2022	NAME AUTOMOTIVE GRADE WIDE TERMINAL CHIP RESISTOR TYPE 3430 1225 SERIES				
		PRODUCT SPEC -	APPLICATION SPEC -				
MATERIAL -		FINISH -	WEIGHT -	SIZE A3	CAGE CODE 00779	DRAWING NO C=2176566	RESTRICTED TO -
CUSTOMER DRAWING			SCALE 15:1	SHEET 1 OF 3	REV BA		

REVISIONS

P	LTR	DESCRIPTION	DATE	DWN	APVD
	-	SEE SHEET 1	-	-	-

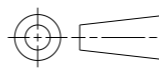
SCHEDULE

TCPN	CATALOGUE NUMBER	PART DESCRIPTION	PART STATUS
2176566-1	3430A3ZTDF	3430 A3 Jumper 1k RL	PRODUCTION
2176566-2	3430A3F1R0TDF	3430 A3 1% 1R0 200ppm 1k RL	PRODUCTION
2176566-3	3430A3F1R1TDF	3430 A3 1% 1R1 200ppm 1k RL	PRODUCTION
2176566-4	3430A3F1R2TDF	3430 A3 1% 1R2 200ppm 1k RL	PRODUCTION
2176566-5	3430A3F1R3TDF	3430 A3 1% 1R3 200ppm 1k RL	PRODUCTION
2176566-6	3430A3F1R5TDF	3430 A3 1% 1R5 200ppm 1k RL	PRODUCTION
2176566-7	3430A3F1R6TDF	3430 A3 1% 1R6 200ppm 1k RL	PRODUCTION
2176566-8	3430A3F1R8TDF	3430 A3 1% 1R8 200ppm 1k RL	PRODUCTION
2176566-9	3430A3F2R0TDF	3430 A3 1% 2R0 200ppm 1k RL	PRODUCTION
1-2176566-0	3430A3F2R2TDF	3430 A3 1% 2R2 200ppm 1k RL	PRODUCTION
1-2176566-1	3430A3F2R4TDF	3430 A3 1% 2R4 200ppm 1k RL	PRODUCTION
1-2176566-2	3430A3F2R7TDF	3430 A3 1% 2R7 200ppm 1k RL	PRODUCTION
1-2176566-3	3430A3F3R0TDF	3430 A3 1% 3R0 200ppm 1k RL	PRODUCTION
1-2176566-4	3430A3F3R3TDF	3430 A3 1% 3R3 200ppm 1k RL	PRODUCTION
1-2176566-5	3430A3F3R6TDF	3430 A3 1% 3R6 200ppm 1k RL	PRODUCTION
1-2176566-6	3430A3F3R9TDF	3430 A3 1% 3R9 200ppm 1k RL	PRODUCTION
1-2176566-7	3430A3F4R3TDF	3430 A3 1% 4R3 200ppm 1k RL	PRODUCTION
1-2176566-8	3430A3F4R7TDF	3430 A3 1% 4R7 200ppm 1k RL	PRODUCTION
1-2176566-9	3430A3F5R1TDF	3430 A3 1% 5R1 200ppm 1k RL	PRODUCTION
2-2176566-0	3430A3F5R6TDF	3430 A3 1% 5R6 200ppm 1k RL	PRODUCTION
2-2176566-1	3430A3F6R2TDF	3430 A3 1% 6R2 200ppm 1k RL	PRODUCTION
2-2176566-2	3430A3F6R8TDF	3430 A3 1% 6R8 200ppm 1k RL	PRODUCTION
2-2176566-3	3430A3F7R5TDF	3430 A3 1% 7R5 200ppm 1k RL	PRODUCTION
2-2176566-4	3430A3F8R2TDF	3430 A3 1% 8R2 200ppm 1k RL	PRODUCTION
2-2176566-5	3430A3F9R1TDF	3430 A3 1% 9R1 200ppm 1k RL	PRODUCTION
2-2176566-6	3430A3F10RTDF	3430 A3 1% 10R 200ppm 1k RL	PRODUCTION
2-2176566-7	3430A3F11RTDF	3430 A3 1% 11R 200ppm 1k RL	PRODUCTION
2-2176566-8	3430A3F12RTDF	3430 A3 1% 12R 200ppm 1k RL	PRODUCTION
2-2176566-9	3430A3F13RTDF	3430 A3 1% 13R 200ppm 1k RL	PRODUCTION
3-2176566-0	3430A3F15RTDF	3430 A3 1% 15R 200ppm 1k RL	PRODUCTION

SCHEDULE

TCPN	CATALOGUE NUMBER	PART DESCRIPTION	PART STATUS
3-2176566-1	3430A3F16RTDF	3430 A3 1% 16R 200ppm 1k RL	PRODUCTION
3-2176566-2	3430A3F18RTDF	3430 A3 1% 18R 200ppm 1k RL	PRODUCTION
3-2176566-3	3430A3F20RTDF	3430 A3 1% 20R 200ppm 1k RL	PRODUCTION
3-2176566-4	3430A3F22RTDF	3430 A3 1% 22R 200ppm 1k RL	PRODUCTION
3-2176566-5	3430A3F24RTDF	3430 A3 1% 24R 200ppm 1k RL	PRODUCTION
3-2176566-6	3430A3F27RTDF	3430 A3 1% 27R 200ppm 1k RL	PRODUCTION
3-2176566-7	3430A3F30RTDF	3430 A3 1% 30R 100ppm 1k RL	PRODUCTION
3-2176566-8	3430A3F33RTDF	3430 A3 1% 33R 100ppm 1k RL	PRODUCTION
3-2176566-9	3430A3F36RTDF	3430 A3 1% 36R 100ppm 1k RL	PRODUCTION
4-2176566-0	3430A3F39RTDF	3430 A3 1% 39R 100ppm 1k RL	PRODUCTION
4-2176566-1	3430A3F43RTDF	3430 A3 1% 43R 100ppm 1k RL	PRODUCTION
4-2176566-2	3430A3F47RTDF	3430 A3 1% 47R 100ppm 1k RL	PRODUCTION
4-2176566-3	3430A3F51RTDF	3430 A3 1% 51R 100ppm 1k RL	PRODUCTION
4-2176566-4	3430A3F56RTDF	3430 A3 1% 56R 100ppm 1k RL	PRODUCTION
4-2176566-5	3430A3F62RTDF	3430 A3 1% 62R 100ppm 1k RL	PRODUCTION
4-2176566-6	3430A3F68RTDF	3430 A3 1% 68R 100ppm 1k RL	PRODUCTION
4-2176566-7	3430A3F75RTDF	3430 A3 1% 75R 100ppm 1k RL	PRODUCTION
4-2176566-8	3430A3F82RTDF	3430 A3 1% 82R 100ppm 1k RL	PRODUCTION
4-2176566-9	3430A3F91RTDF	3430 A3 1% 91R 100ppm 1k RL	PRODUCTION
5-2176566-0	3430A3F100RTDF	3430 A3 1% 100R 100ppm 1k RL	PRODUCTION
5-2176566-1	3430A3F110RTDF	3430 A3 1% 110R 100ppm 1k RL	PRODUCTION
5-2176566-2	3430A3F120RTDF	3430 A3 1% 120R 100ppm 1k RL	PRODUCTION
5-2176566-3	3430A3F130RTDF	3430 A3 1% 130R 100ppm 1k RL	PRODUCTION
5-2176566-4	3430A3F150RTDF	3430 A3 1% 150R 100ppm 1k RL	PRODUCTION
5-2176566-5	3430A3F160RTDF	3430 A3 1% 160R 100ppm 1k RL	PRODUCTION
5-2176566-6	3430A3F180RTDF	3430 A3 1% 180R 100ppm 1k RL	PRODUCTION
5-2176566-7	3430A3F200RTDF	3430 A3 1% 200R 100ppm 1k RL	PRODUCTION
5-2176566-8	3430A3F220RTDF	3430 A3 1% 220R 100ppm 1k RL	PRODUCTION
5-2176566-9	3430A3F240RTDF	3430 A3 1% 240R 100ppm 1k RL	PRODUCTION
6-2176566-0	3430A3F270RTDF	3430 A3 1% 270R 100ppm 1k RL	PRODUCTION

THIS DRAWING IS A CONTROLLED DOCUMENT.

DIMENSIONS: mm	TOLERANCES UNLESS OTHERWISE SPECIFIED:
	0 PLC ± 1 PLC ± 2 PLC ± 3 PLC ± 4 PLC ± ANGLES ±
MATERIAL	FINISH
-	-

DWN	19OCT2022
CHK	DHEERAJ M 19OCT2022
APVD	A. PILE 19OCT2022
PRODUCT SPEC	-
APPLICATION SPEC	-
WEIGHT	-
CUSTOMER DRAWING	



NAME AUTOMOTIVE GRADE WIDE TERMINAL CHIP RESISTOR TYPE 3430 1225 SERIES			
SIZE	CAGE CODE	DRAWING NO	RESTRICTED TO
A3	00779	©=2176566	-
SCALE 15:1		SHEET 2 OF 3	REV BA

REVISIONS


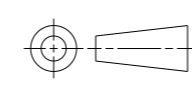
P	LTR	DESCRIPTION	DATE	DWN	APVD
	-	SEE SHEET 1	-	-	-

SCHEDULE

TCPN	CATALOGUE NUMBER	PART DESCRIPTION	PART STATUS
6-2176566-1	3430A3F300RTDF	3430 A3 1% 300R 100ppm 1k RL	PRODUCTION
6-2176566-2	3430A3F330RTDF	3430 A3 1% 330R 100ppm 1k RL	PRODUCTION
6-2176566-3	3430A3F360RTDF	3430 A3 1% 360R 100ppm 1k RL	PRODUCTION
6-2176566-4	3430A3F390RTDF	3430 A3 1% 390R 100ppm 1k RL	PRODUCTION
6-2176566-5	3430A3F430RTDF	3430 A3 1% 430R 100ppm 1k RL	PRODUCTION
6-2176566-6	3430A3F470RTDF	3430 A3 1% 470R 100ppm 1k RL	PRODUCTION
6-2176566-7	3430A3F510RTDF	3430 A3 1% 510R 100ppm 1k RL	PRODUCTION
6-2176566-8	3430A3F560RTDF	3430 A3 1% 560R 100ppm 1k RL	PRODUCTION
6-2176566-9	3430A3F620RTDF	3430 A3 1% 620R 100ppm 1k RL	PRODUCTION
7-2176566-0	3430A3F680RTDF	3430 A3 1% 680R 100ppm 1k RL	PRODUCTION
7-2176566-1	3430A3F750RTDF	3430 A3 1% 750R 100ppm 1k RL	PRODUCTION
7-2176566-2	3430A3F820RTDF	3430 A3 1% 820R 100ppm 1k RL	PRODUCTION
7-2176566-3	3430A3F910RTDF	3430 A3 1% 910R 100ppm 1k RL	PRODUCTION
7-2176566-4	3430A3F1K0TDF	3430 A3 1% 1K0 100ppm 1k RL	PRODUCTION
7-2176566-5	3430A3F1K1TDF	3430 A3 1% 1K1 100ppm 1k RL	PRODUCTION
7-2176566-6	3430A3F1K2TDF	3430 A3 1% 1K2 100ppm 1k RL	PRODUCTION
7-2176566-7	3430A3F1K3TDF	3430 A3 1% 1K3 100ppm 1k RL	PRODUCTION
7-2176566-8	3430A3F1K5TDF	3430 A3 1% 1K5 100ppm 1k RL	PRODUCTION
7-2176566-9	3430A3F1K6TDF	3430 A3 1% 1K6 100ppm 1k RL	PRODUCTION
8-2176566-0	3430A3F1K8TDF	3430 A3 1% 1K8 100ppm 1k RL	PRODUCTION
8-2176566-1	3430A3F2K0TDF	3430 A3 1% 2K0 100ppm 1k RL	PRODUCTION
8-2176566-2	3430A3F2K2TDF	3430 A3 1% 2K2 100ppm 1k RL	PRODUCTION
8-2176566-3	3430A3F2K4TDF	3430 A3 1% 2K4 100ppm 1k RL	PRODUCTION
8-2176566-4	3430A3F2K7TDF	3430 A3 1% 2K7 100ppm 1k RL	PRODUCTION
8-2176566-5	3430A3F3K0TDF	3430 A3 1% 3K0 100ppm 1k RL	PRODUCTION
8-2176566-6	3430A3F3K3TDF	3430 A3 1% 3K3 100ppm 1k RL	PRODUCTION
8-2176566-7	3430A3F3K6TDF	3430 A3 1% 3K6 100ppm 1k RL	PRODUCTION
8-2176566-8	3430A3F3K9TDF	3430 A3 1% 3K9 100ppm 1k RL	PRODUCTION
8-2176566-9	3430A3F4K3TDF	3430 A3 1% 4K3 100ppm 1k RL	PRODUCTION
9-2176566-0	3430A3F4K7TDF	3430 A3 1% 4K7 100ppm 1k RL	PRODUCTION

SCHEDULE

TCPN	CATALOGUE NUMBER	PART DESCRIPTION	PART STATUS
9-2176566-1	3430A3F5K1TDF	3430 A3 1% 5K1 100ppm 1k RL	PRODUCTION
9-2176566-2	3430A3F5K6TDF	3430 A3 1% 5K6 100ppm 1k RL	PRODUCTION
9-2176566-3	3430A3F6K2TDF	3430 A3 1% 6K2 100ppm 1k RL	PRODUCTION
9-2176566-4	3430A3F6K8TDF	3430 A3 1% 6K8 100ppm 1k RL	PRODUCTION
9-2176566-5	3430A3F7K5TDF	3430 A3 1% 7K5 100ppm 1k RL	PRODUCTION
9-2176566-6	3430A3F8K2TDF	3430 A3 1% 8K2 100ppm 1k RL	PRODUCTION
9-2176566-7	3430A3F9K1TDF	3430 A3 1% 9K1 100ppm 1k RL	PRODUCTION
9-2176566-8	3430A3F10KTDF	3430 A3 1% 10K 100ppm 1k RL	PRODUCTION
9-2176566-9	3430A3F11KTDF	3430 A3 1% 11K 100ppm 1k RL	PRODUCTION

THIS DRAWING IS A CONTROLLED DOCUMENT.		DWN DHEERAJ M 19OCT2022	 TE Connectivity			
DIMENSIONS: mm		CHK A. PILE 19OCT2022				
TOLERANCES UNLESS OTHERWISE SPECIFIED:		APVD A. PILE 19OCT2022	NAME AUTOMOTIVE GRADE WIDE TERMINAL CHIP RESISTOR TYPE 3430 1225 SERIES			
		PRODUCT SPEC -				
MATERIAL		APPLICATION SPEC -	SIZE A3	CAGE CODE 00779	DRAWING NO C=2176566	RESTRICTED TO -
FINISH		WEIGHT -	SCALE 15:1		SHEET 3 OF 3	REV BA
		CUSTOMER DRAWING				