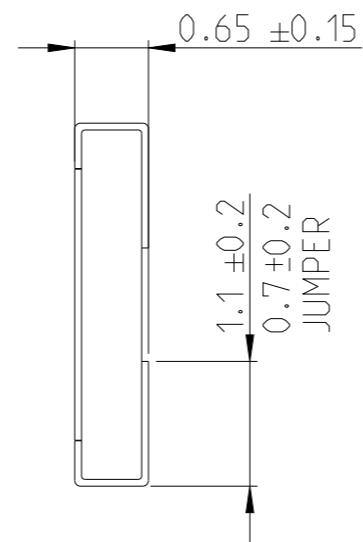
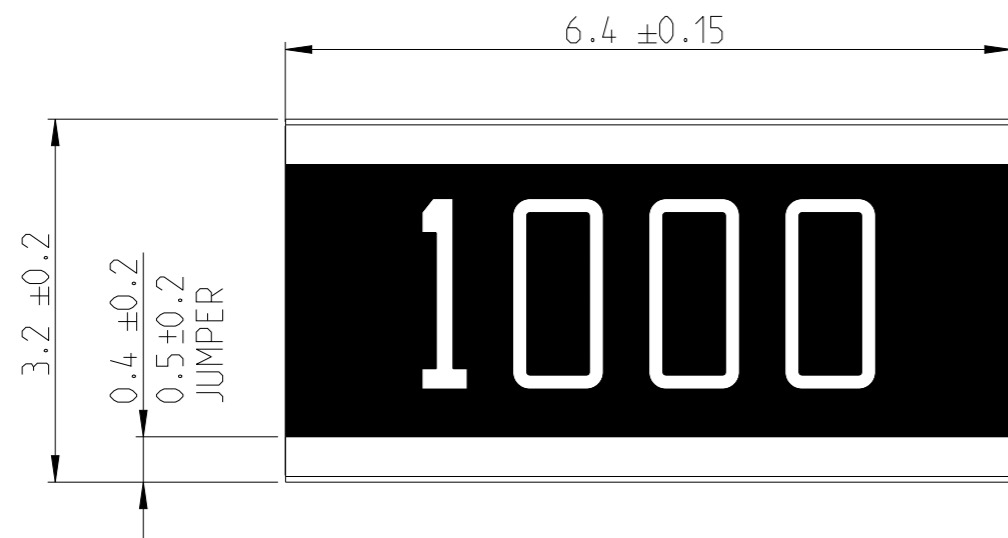
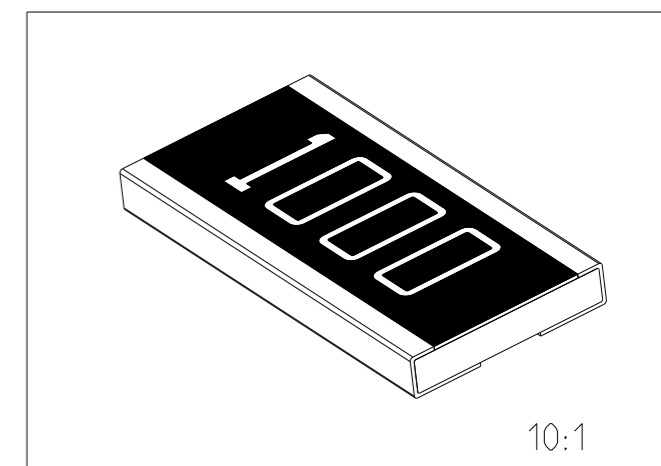
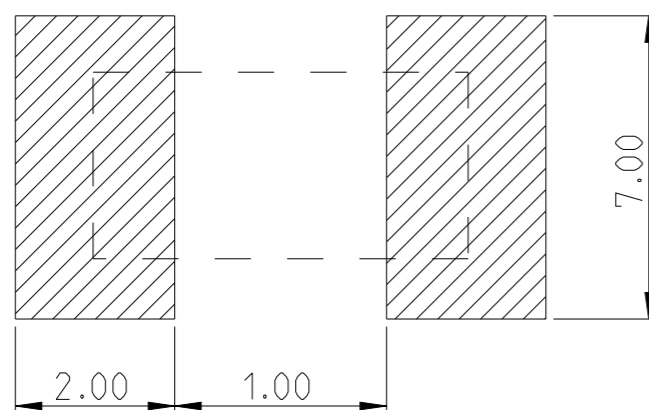


P	LTR	DESCRIPTION	DATE	DWN	APVD
	BA	INITIAL DRAWING RELEASE	19OCT2022	DM	AP



FOR FURTHER INFORMATION SEE DATA SHEET FOR 3430 SERIES AUTOMOTIVE GRADE WIDE TERMINAL CHIP RESISTOR

RECOMMENDED LAND PATTERN



RoHS Compliant

THIS DRAWING IS A CONTROLLED DOCUMENT.		DWN DHEERAJ M 19OCT2022															
DIMENSIONS: mm		CHK A. PILE 19OCT2022															
TOLERANCES UNLESS OTHERWISE SPECIFIED:		APVD A. PILE 19OCT2022	NAME AUTOMOTIVE GRADE WIDE TERMINAL CHIP RESISTOR TYPE 3430 1225 SERIES														
<table border="1"> <tr> <td>0 PLC</td> <td>±</td> </tr> <tr> <td>1 PLC</td> <td>±</td> </tr> <tr> <td>2 PLC</td> <td>±</td> </tr> <tr> <td>3 PLC</td> <td>±</td> </tr> <tr> <td>4 PLC</td> <td>±</td> </tr> <tr> <td>ANGLES</td> <td>±</td> </tr> </table>		0 PLC	±	1 PLC	±	2 PLC	±	3 PLC	±	4 PLC	±	ANGLES	±	PRODUCT SPEC -	APPLICATION SPEC -		
0 PLC	±																
1 PLC	±																
2 PLC	±																
3 PLC	±																
4 PLC	±																
ANGLES	±																
MATERIAL -		FINISH -	WEIGHT -	SIZE A3	CAGE CODE 00779	DRAWING NO C=2176564	RESTRICTED TO -										
CUSTOMER DRAWING			SCALE 15:1	SHEET 1 OF 3	REV BA												

REVISIONS

P	LTR	DESCRIPTION	DATE	DWN	APVD
	-	SEE SHEET 1	-	-	-

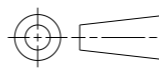
SCHEDULE

TCPN	CATALOGUE NUMBER	PART DESCRIPTION	PART STATUS
2176564-1	3430A3ZTE	3430 A3 Jumper 4k RL	PRODUCTION
2176564-2	3430A3F1R0TE	3430 A3 1% 1R0 200ppm 4k RL	PRODUCTION
2176564-3	3430A3F1R1TE	3430 A3 1% 1R1 200ppm 4k RL	PRODUCTION
2176564-4	3430A3F1R2TE	3430 A3 1% 1R2 200ppm 4k RL	PRODUCTION
2176564-5	3430A3F1R3TE	3430 A3 1% 1R3 200ppm 4k RL	PRODUCTION
2176564-6	3430A3F1R5TE	3430 A3 1% 1R5 200ppm 4k RL	PRODUCTION
2176564-7	3430A3F1R6TE	3430 A3 1% 1R6 200ppm 4k RL	PRODUCTION
2176564-8	3430A3F1R8TE	3430 A3 1% 1R8 200ppm 4k RL	PRODUCTION
2176564-9	3430A3F2R0TE	3430 A3 1% 2R0 200ppm 4k RL	PRODUCTION
1-2176564-0	3430A3F2R2TE	3430 A3 1% 2R2 200ppm 4k RL	PRODUCTION
1-2176564-1	3430A3F2R4TE	3430 A3 1% 2R4 200ppm 4k RL	PRODUCTION
1-2176564-2	3430A3F2R7TE	3430 A3 1% 2R7 200ppm 4k RL	PRODUCTION
1-2176564-3	3430A3F3R0TE	3430 A3 1% 3R0 200ppm 4k RL	PRODUCTION
1-2176564-4	3430A3F3R3TE	3430 A3 1% 3R3 200ppm 4k RL	PRODUCTION
1-2176564-5	3430A3F3R6TE	3430 A3 1% 3R6 200ppm 4k RL	PRODUCTION
1-2176564-6	3430A3F3R9TE	3430 A3 1% 3R9 200ppm 4k RL	PRODUCTION
1-2176564-7	3430A3F4R3TE	3430 A3 1% 4R3 200ppm 4k RL	PRODUCTION
1-2176564-8	3430A3F4R7TE	3430 A3 1% 4R7 200ppm 4k RL	PRODUCTION
1-2176564-9	3430A3F5R1TE	3430 A3 1% 5R1 200ppm 4k RL	PRODUCTION
2-2176564-0	3430A3F5R6TE	3430 A3 1% 5R6 200ppm 4k RL	PRODUCTION
2-2176564-1	3430A3F6R2TE	3430 A3 1% 6R2 200ppm 4k RL	PRODUCTION
2-2176564-2	3430A3F6R8TE	3430 A3 1% 6R8 200ppm 4k RL	PRODUCTION
2-2176564-3	3430A3F7R5TE	3430 A3 1% 7R5 200ppm 4k RL	PRODUCTION
2-2176564-4	3430A3F8R2TE	3430 A3 1% 8R2 200ppm 4k RL	PRODUCTION
2-2176564-5	3430A3F9R1TE	3430 A3 1% 9R1 200ppm 4k RL	PRODUCTION
2-2176564-6	3430A3F10RTE	3430 A3 1% 10R 200ppm 4k RL	PRODUCTION
2-2176564-7	3430A3F11RTE	3430 A3 1% 11R 200ppm 4k RL	PRODUCTION
2-2176564-8	3430A3F12RTE	3430 A3 1% 12R 200ppm 4k RL	PRODUCTION
2-2176564-9	3430A3F13RTE	3430 A3 1% 13R 200ppm 4k RL	PRODUCTION
3-2176564-0	3430A3F15RTE	3430 A3 1% 15R 200ppm 4k RL	PRODUCTION

SCHEDULE

TCPN	CATALOGUE NUMBER	PART DESCRIPTION	PART STATUS
3-2176564-1	3430A3F16RTE	3430 A3 1% 16R 200ppm 4k RL	PRODUCTION
3-2176564-2	3430A3F18RTE	3430 A3 1% 18R 200ppm 4k RL	PRODUCTION
3-2176564-3	3430A3F20RTE	3430 A3 1% 20R 200ppm 4k RL	PRODUCTION
3-2176564-4	3430A3F22RTE	3430 A3 1% 22R 200ppm 4k RL	PRODUCTION
3-2176564-5	3430A3F24RTE	3430 A3 1% 24R 200ppm 4k RL	PRODUCTION
3-2176564-6	3430A3F27RTE	3430 A3 1% 27R 200ppm 4k RL	PRODUCTION
3-2176564-7	3430A3F30RTE	3430 A3 1% 30R 100ppm 4k RL	PRODUCTION
3-2176564-8	3430A3F33RTE	3430 A3 1% 33R 100ppm 4k RL	PRODUCTION
3-2176564-9	3430A3F36RTE	3430 A3 1% 36R 100ppm 4k RL	PRODUCTION
4-2176564-0	3430A3F39RTE	3430 A3 1% 39R 100ppm 4k RL	PRODUCTION
4-2176564-1	3430A3F43RTE	3430 A3 1% 43R 100ppm 4k RL	PRODUCTION
4-2176564-2	3430A3F47RTE	3430 A3 1% 47R 100ppm 4k RL	PRODUCTION
4-2176564-3	3430A3F51RTE	3430 A3 1% 51R 100ppm 4k RL	PRODUCTION
4-2176564-4	3430A3F56RTE	3430 A3 1% 56R 100ppm 4k RL	PRODUCTION
4-2176564-5	3430A3F62RTE	3430 A3 1% 62R 100ppm 4k RL	PRODUCTION
4-2176564-6	3430A3F68RTE	3430 A3 1% 68R 100ppm 4k RL	PRODUCTION
4-2176564-7	3430A3F75RTE	3430 A3 1% 75R 100ppm 4k RL	PRODUCTION
4-2176564-8	3430A3F82RTE	3430 A3 1% 82R 100ppm 4k RL	PRODUCTION
4-2176564-9	3430A3F91RTE	3430 A3 1% 91R 100ppm 4k RL	PRODUCTION
5-2176564-0	3430A3F100RTE	3430 A3 1% 100R 100ppm 4k RL	PRODUCTION
5-2176564-1	3430A3F110RTE	3430 A3 1% 110R 100ppm 4k RL	PRODUCTION
5-2176564-2	3430A3F120RTE	3430 A3 1% 120R 100ppm 4k RL	PRODUCTION
5-2176564-3	3430A3F130RTE	3430 A3 1% 130R 100ppm 4k RL	PRODUCTION
5-2176564-4	3430A3F150RTE	3430 A3 1% 150R 100ppm 4k RL	PRODUCTION
5-2176564-5	3430A3F160RTE	3430 A3 1% 160R 100ppm 4k RL	PRODUCTION
5-2176564-6	3430A3F180RTE	3430 A3 1% 180R 100ppm 4k RL	PRODUCTION
5-2176564-7	3430A3F200RTE	3430 A3 1% 200R 100ppm 4k RL	PRODUCTION
5-2176564-8	3430A3F220RTE	3430 A3 1% 220R 100ppm 4k RL	PRODUCTION
5-2176564-9	3430A3F240RTE	3430 A3 1% 240R 100ppm 4k RL	PRODUCTION
6-2176564-0	3430A3F270RTE	3430 A3 1% 270R 100ppm 4k RL	PRODUCTION

THIS DRAWING IS A CONTROLLED DOCUMENT.

DIMENSIONS:	TOLERANCES UNLESS OTHERWISE SPECIFIED:
mm	0 PLC ±
	1 PLC ±
	2 PLC ±
	3 PLC ±
	4 PLC ±
	ANGLES ±
MATERIAL	FINISH
-	-
-	-

DWN	19OCT2022
DHEERAJ M	
CHK	19OCT2022
A. PILE	
APVD	19OCT2022
A. PILE	
PRODUCT SPEC	
-	
APPLICATION SPEC	
-	
WEIGHT	-
CUSTOMER DRAWING	



NAME				AUTOMOTIVE GRADE WIDE TERMINAL CHIP RESISTOR TYPE 3430 1225 SERIES	
SIZE	CAGE CODE	DRAWING NO	RESTRICTED TO		
A3	00779	©=2176564	-		
SCALE		SHEET	OF	REV	
15:1		2	3	BA	

REVISIONS


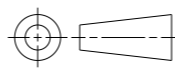
P	LTR	DESCRIPTION	DATE	DWN	APVD
	-	SEE SHEET 1	-	-	-

SCHEDULE

TCPN	CATALOGUE NUMBER	PART DESCRIPTION	PART STATUS
6-2176564-1	3430A3F300RTE	3430 A3 1% 300R 100ppm 4k RL	PRODUCTION
6-2176564-2	3430A3F330RTE	3430 A3 1% 330R 100ppm 4k RL	PRODUCTION
6-2176564-3	3430A3F360RTE	3430 A3 1% 360R 100ppm 4k RL	PRODUCTION
6-2176564-4	3430A3F390RTE	3430 A3 1% 390R 100ppm 4k RL	PRODUCTION
6-2176564-5	3430A3F430RTE	3430 A3 1% 430R 100ppm 4k RL	PRODUCTION
6-2176564-6	3430A3F470RTE	3430 A3 1% 470R 100ppm 4k RL	PRODUCTION
6-2176564-7	3430A3F510RTE	3430 A3 1% 510R 100ppm 4k RL	PRODUCTION
6-2176564-8	3430A3F560RTE	3430 A3 1% 560R 100ppm 4k RL	PRODUCTION
6-2176564-9	3430A3F620RTE	3430 A3 1% 620R 100ppm 4k RL	PRODUCTION
7-2176564-0	3430A3F680RTE	3430 A3 1% 680R 100ppm 4k RL	PRODUCTION
7-2176564-1	3430A3F750RTE	3430 A3 1% 750R 100ppm 4k RL	PRODUCTION
7-2176564-2	3430A3F820RTE	3430 A3 1% 820R 100ppm 4k RL	PRODUCTION
7-2176564-3	3430A3F910RTE	3430 A3 1% 910R 100ppm 4k RL	PRODUCTION
7-2176564-4	3430A3F1K0TE	3430 A3 1% 1K0 100ppm 4k RL	PRODUCTION
7-2176564-5	3430A3F1K1TE	3430 A3 1% 1K1 100ppm 4k RL	PRODUCTION
7-2176564-6	3430A3F1K2TE	3430 A3 1% 1K2 100ppm 4k RL	PRODUCTION
7-2176564-7	3430A3F1K3TE	3430 A3 1% 1K3 100ppm 4k RL	PRODUCTION
7-2176564-8	3430A3F1K5TE	3430 A3 1% 1K5 100ppm 4k RL	PRODUCTION
7-2176564-9	3430A3F1K6TE	3430 A3 1% 1K6 100ppm 4k RL	PRODUCTION
8-2176564-0	3430A3F1K8TE	3430 A3 1% 1K8 100ppm 4k RL	PRODUCTION
8-2176564-1	3430A3F2K0TE	3430 A3 1% 2K0 100ppm 4k RL	PRODUCTION
8-2176564-2	3430A3F2K2TE	3430 A3 1% 2K2 100ppm 4k RL	PRODUCTION
8-2176564-3	3430A3F2K4TE	3430 A3 1% 2K4 100ppm 4k RL	PRODUCTION
8-2176564-4	3430A3F2K7TE	3430 A3 1% 2K7 100ppm 4k RL	PRODUCTION
8-2176564-5	3430A3F3K0TE	3430 A3 1% 3K0 100ppm 4k RL	PRODUCTION
8-2176564-6	3430A3F3K3TE	3430 A3 1% 3K3 100ppm 4k RL	PRODUCTION
8-2176564-7	3430A3F3K6TE	3430 A3 1% 3K6 100ppm 4k RL	PRODUCTION
8-2176564-8	3430A3F3K9TE	3430 A3 1% 3K9 100ppm 4k RL	PRODUCTION
8-2176564-9	3430A3F4K3TE	3430 A3 1% 4K3 100ppm 4k RL	PRODUCTION
9-2176564-0	3430A3F4K7TE	3430 A3 1% 4K7 100ppm 4k RL	PRODUCTION

SCHEDULE

TCPN	CATALOGUE NUMBER	PART DESCRIPTION	PART STATUS
9-2176564-1	3430A3F5K1TE	3430 A3 1% 5K1 100ppm 4k RL	PRODUCTION
9-2176564-2	3430A3F5K6TE	3430 A3 1% 5K6 100ppm 4k RL	PRODUCTION
9-2176564-3	3430A3F6K2TE	3430 A3 1% 6K2 100ppm 4k RL	PRODUCTION
9-2176564-4	3430A3F6K8TE	3430 A3 1% 6K8 100ppm 4k RL	PRODUCTION
9-2176564-5	3430A3F7K5TE	3430 A3 1% 7K5 100ppm 4k RL	PRODUCTION
9-2176564-6	3430A3F8K2TE	3430 A3 1% 8K2 100ppm 4k RL	PRODUCTION
9-2176564-7	3430A3F9K1TE	3430 A3 1% 9K1 100ppm 4k RL	PRODUCTION
9-2176564-8	3430A3F10KTE	3430 A3 1% 10K 100ppm 4k RL	PRODUCTION
9-2176564-9	3430A3F11KTE	3430 A3 1% 11K 100ppm 4k RL	PRODUCTION

THIS DRAWING IS A CONTROLLED DOCUMENT.		DWN DHEERAJ M 19OCT2022	 TE Connectivity	
DIMENSIONS: mm		CHK A. PILE 19OCT2022		
		APVD A. PILE 19OCT2022	NAME AUTOMOTIVE GRADE WIDE TERMINAL CHIP RESISTOR TYPE 3430 1225 SERIES	
TOLERANCES UNLESS OTHERWISE SPECIFIED:		PRODUCT SPEC	RESTRICTED TO	
0 PLC ±		APPLICATION SPEC	SIZE A3	CAGE CODE 00779
1 PLC ±		WEIGHT	DRAWING NO C=2176564	SCALE 15:1
2 PLC ±		CUSTOMER DRAWING	SHEET 3 OF 3	REV BA
3 PLC ±				
4 PLC ±				
ANGLES ±				
FINISH				
MATERIAL				