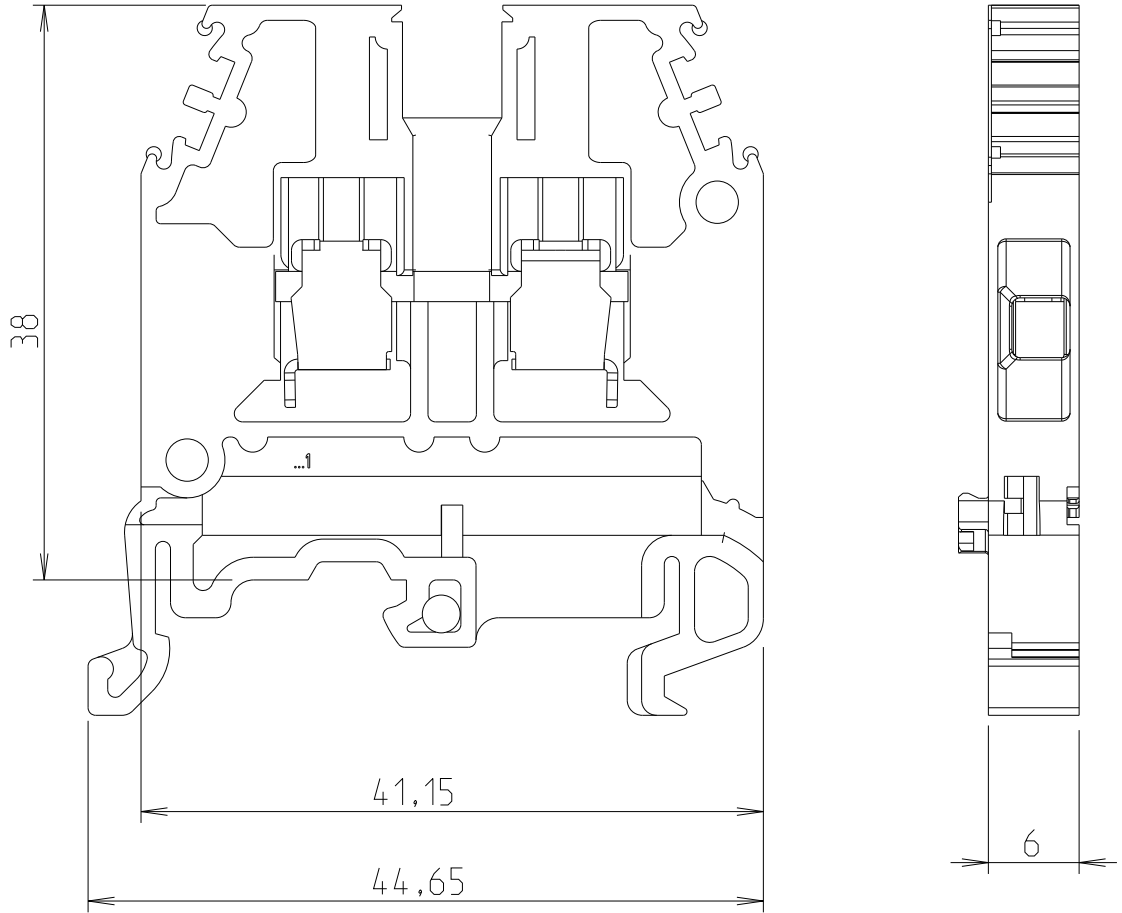


REVISIONS

P	LTR	DESCRIPTION	DATE	DWN	APVD
	A	First Released	03JAN2023	VR	VR



© 2023 TE Connectivity. All Rights Reserved.

DIMENSIONS: mm	DWN Villard, Romain	2023	MATERIAL PA	FINISH -			
	CHK						
TOLERANCES UNLESS OTHERWISE SPECIFIED:	APVD				NAME M4/6 1SNA105051R2000		
	PRODUCT SPEC	-	SIZE	CAGE CODE	DRAWING NO	RESTRICTED TO	
	APPLICATION SPEC	-	A 4	00779	©-1SNP058587-0103	-	
0 PLC ± 1 PLC ±0.1 2 PLC ±0.01 3 PLC ±0.001 4 PLC ±0.0001 ANGLES ±	WEIGHT	8,132	SCALE 2:1			SHEET 1 OF 1	REV A
	CUSTOMER DRAWING						