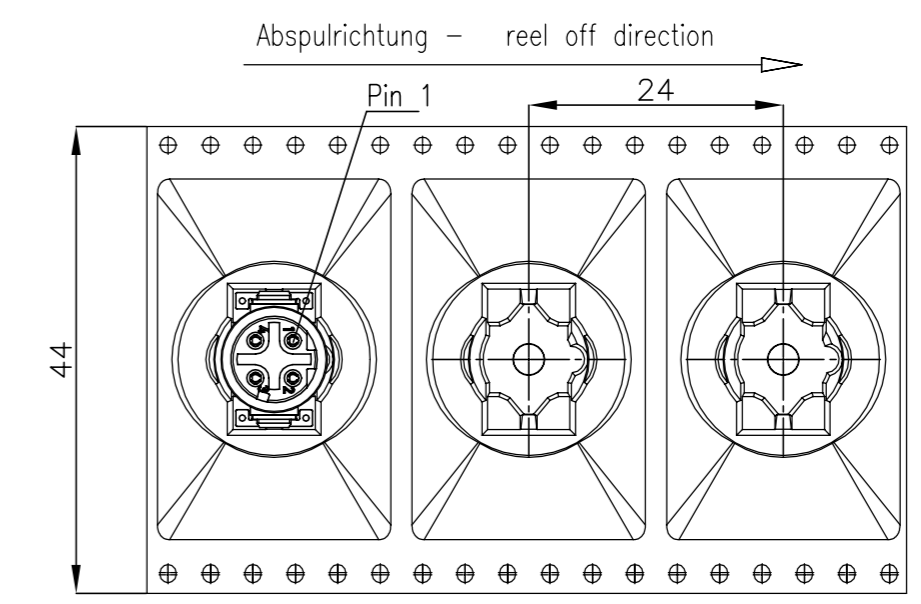
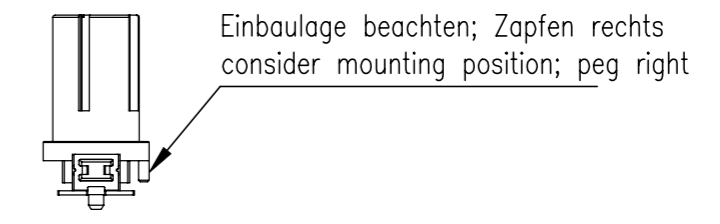
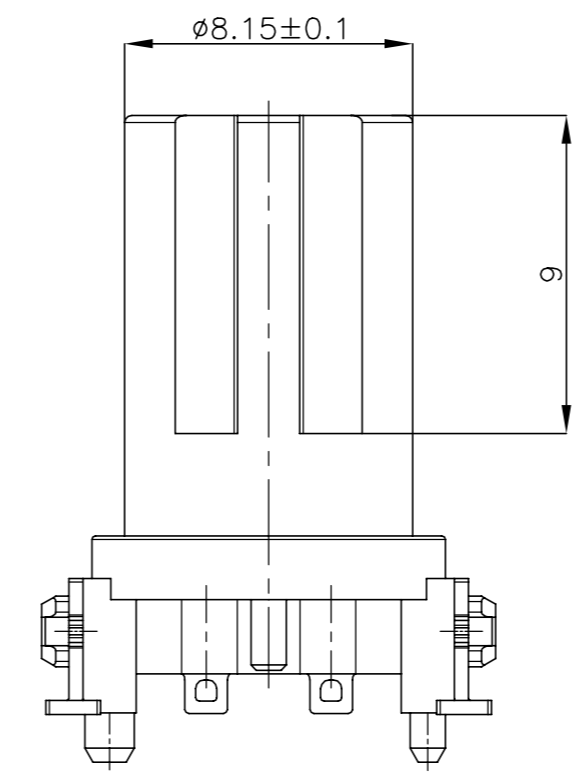
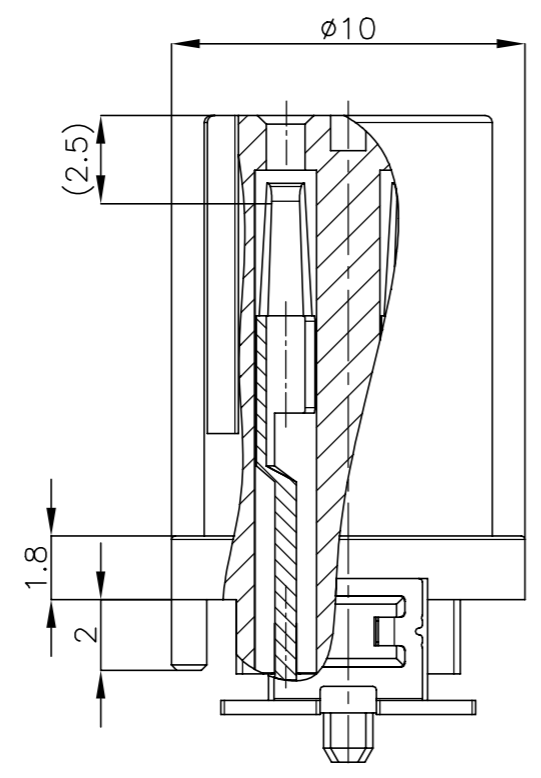
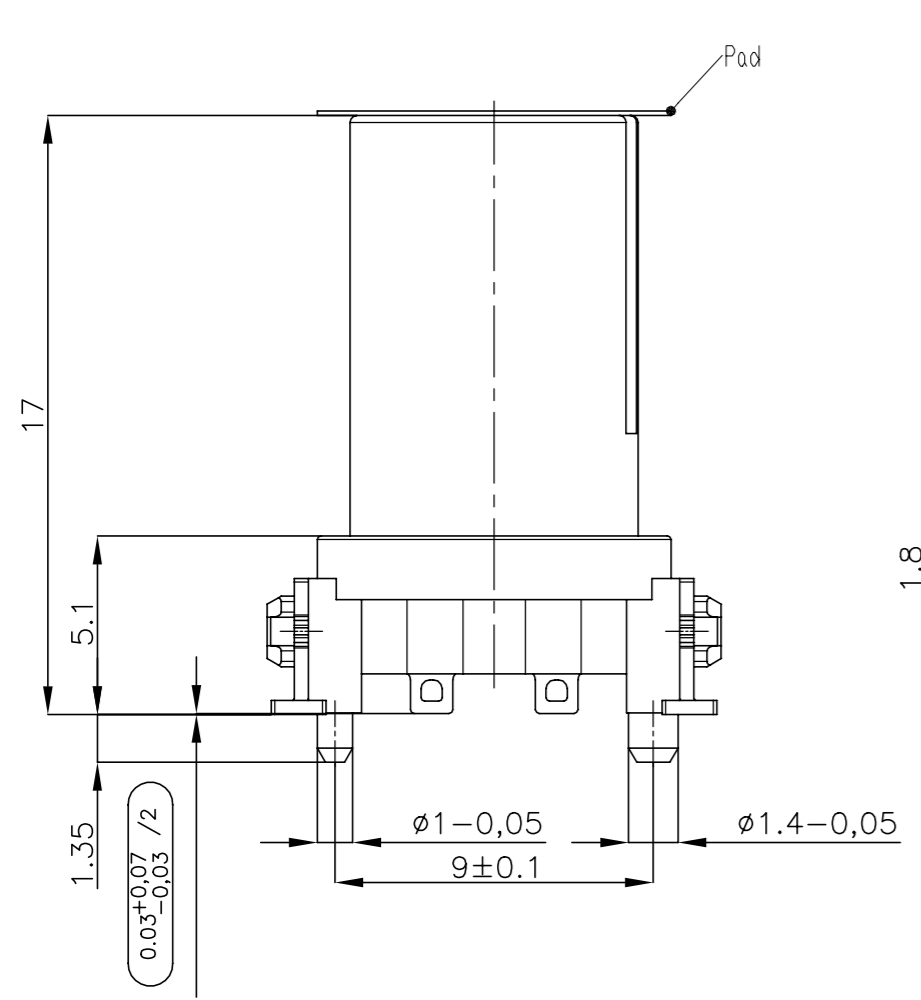
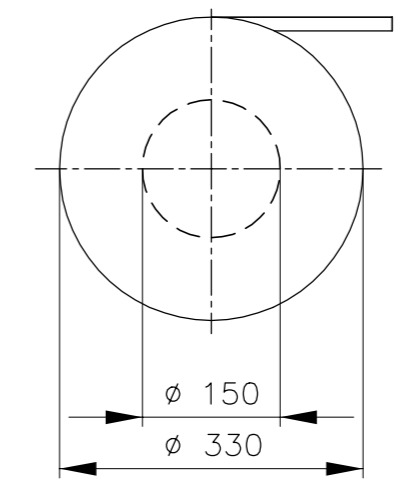
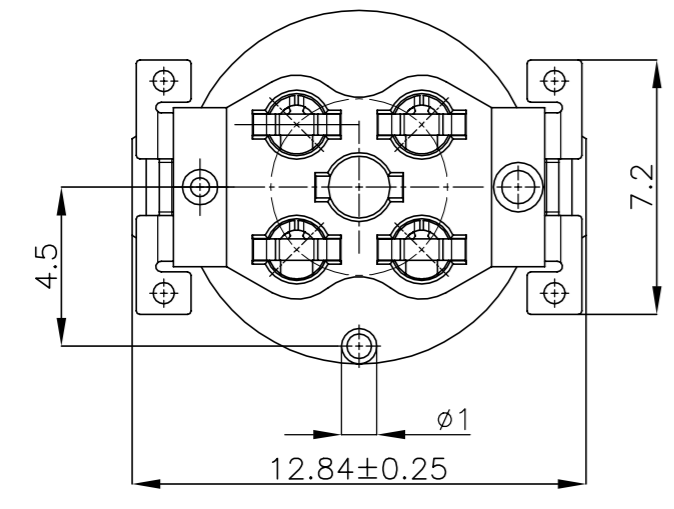
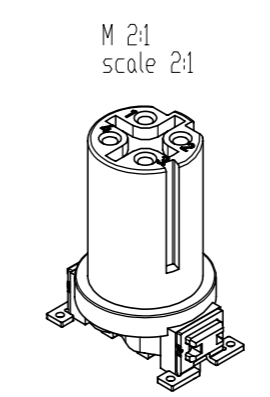
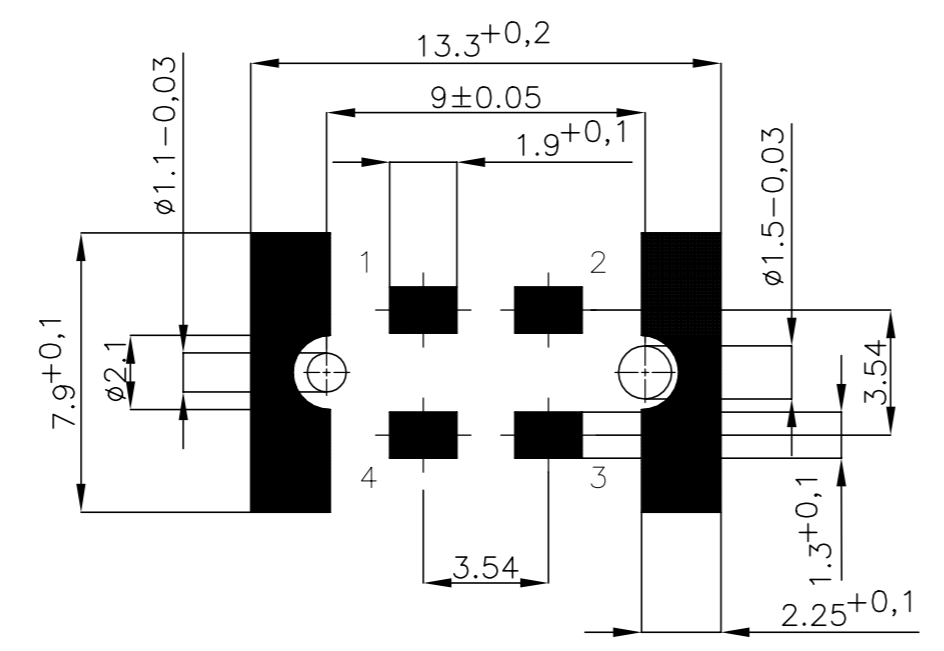
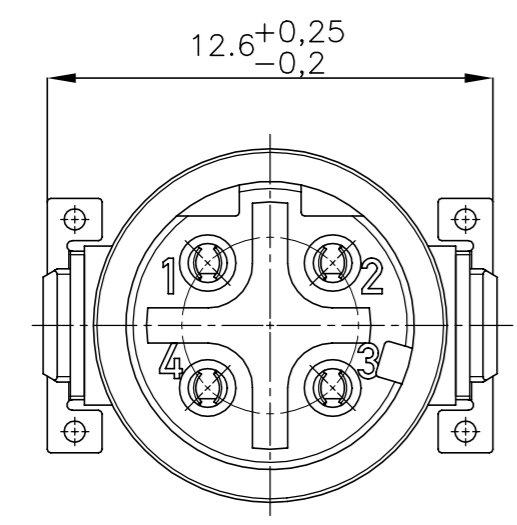


REVISIONS					
P	LTR	DESCRIPTION	DATE	DWN	APVD
	A1	NEW DRAWING	24JUL2022	NK	JDB

Verpackt im Gurt in Anlehnung an DIN IEC 60286-3  
 tape on reel packaging according to DIN IEC 60286-3  
 Verpackungseinheit: 100 Stück  
 packaging unit: 100 pcs



Layout-Vorschlag  
 PCB-Layout Proposal



Koplanarität aller Clips ≤ 0,1mm  
 coplanarity of all clips ≤ 0,1 mm  
 Teile: 100 Stück in Luftpolsterbeutel / Schüttgut  
 part: 100 pcs. in bubble bags / bulk

454949-E	Gurtverpackung mit Pad tape on reel packaging with Pad
234041-E	Gurtverpackung tape on reel packaging
234040-E	Schüttgut 100 Stück bulk 100 pcs.
Ident-Nr. part-no.	Bemerkung remark

THIS DRAWING IS A CONTROLLED DOCUMENT.		DWN N K NIKHIL 22JUL2022	TE Connectivity	
DIMENSIONS: mm		CHK M SZELAG 24JUL2022	NAME	
TOLERANCES UNLESS OTHERWISE SPECIFIED.		APVD J DE BRUIJN 24JUL2022	M12 Circular Connectors Female Connector D Cod 4p 17mm SMT	
0 PLC ± - 1 PLC ± - 2 PLC ± - 3 PLC ± - 4 PLC ± - ANGLES ± -		PRODUCT SPEC 108-94887	SIZE A2	CAGE CODE 00779
MATERIAL -		FINISH -	DRAWING NO C=234040-E	RESTRICTED TO -
		WEIGHT -	SCALE 5:1	SHEET 1 of 1
		CUSTOMER DRAWING	REV A1	