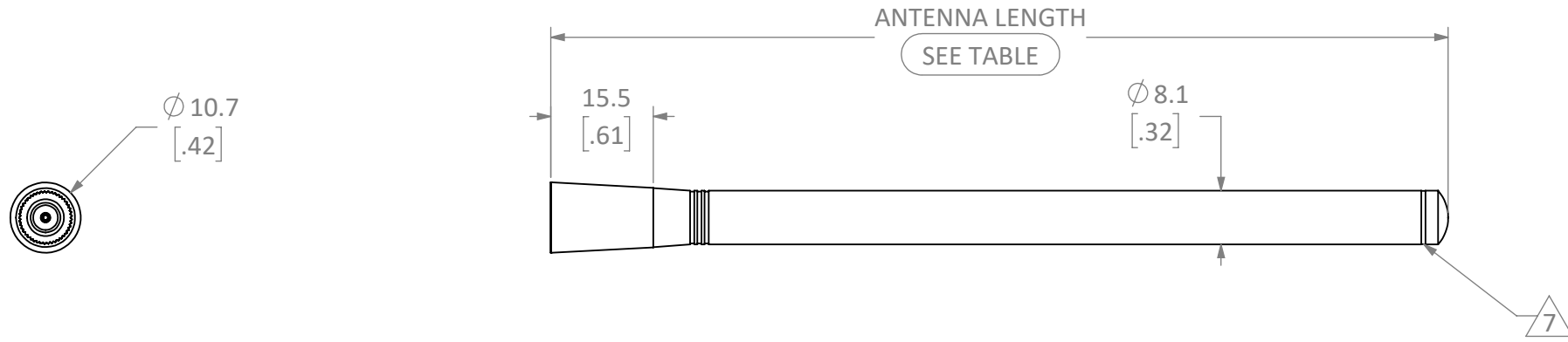


REVISIONS			
REV	DESCRIPTION	DATE	APPV
A	INITIAL RELEASE OF LINX INTERNAL DRAWING	11-AUG-15	SAH



- NOTES: (UNLESS OTHERWISE SPECIFIED)
- ALL DIMENSIONS ARE IN MILLIMETERS [IN].
 - DIMENSIONS APPLY AFTER FINISHING.
 - MANUFACTURE TO BE COMPLIANT WITH EU RoHS DIRECTIVE, USE MATERIALS THAT DO NOT CONTAIN REACH SUBSTANCES OF VERY HIGH CONCERN >1000ppm, AND USE DRC CONFLICT-FREE SOURCED MATERIALS.
 - ELECTRICAL PROPERTIES SHOWN FOR REFERENCE ONLY. SEE LINX DATA SHEET FOR ELECTRICAL PERFORMANCE DETAILS.
 - IMPEDANCE: 50Ω
 - VSWR: 50 OHMS
 - CENTER FREQUENCY: SEE TABLE
 - ANTENNA QUALIFIED IAW LINX INTERNAL TEST PLAN DOCUMENT AT LATEST REVISION
 - MECHANICAL PROPERTIES
 - OPERATION/STORAGE TEMPERATURE: -20° - +85°C
 - INTERCONNECT CONFORMS WITH SMA TYPE MIL-STD-348B
 - REFER TO TABLE FOR COLOR BAND SPECIFICATION.
 - LABEL LOT BAG AND BOX IAW LINX LABEL DRAWING [MEC-LBL-4x2.5-PAPER-ID]

LINX PART NUMBER	FREQUENCY	PEAK GAIN	COLOR BAND	CONNECTOR	ANTENNA LENGTH ±2.0mm
ANT-315-CW-HW	315 MHz	0 dBi	GREEN PANTONE 348C	RP-SMA	120.0 [4.72]
ANT-315-CW-HW-SMA	315 MHz	0 dBi	GREEN PANTONE 348C	SMA	120.0 [4.72]
ANT-418-CW-HW	418 MHz	0 dBi	BLUE PANTONE 310C	RP-SMA	120.0 [4.72]
ANT-418-CW-HW-SMA	418 MHz	0 dBi	BLUE PANTONE 310C	SMA	120.0 [4.72]
ANT-433-CW-HW	433 MHz	0 dBi	RED PANTONE 032C	RP-SMA	120.0 [4.72]
ANT-433-CW-HW-SMA	433 MHz	0 dBi	RED PANTONE 032C	SMA	120.0 [4.72]
ANT-868-CW-HW	868 MHz	0 dBi	GRAY PANTONE 429C	RP-SMA	135.5[5.33]
ANT-868-CW-HW-SMA	868 MHz	0 dBi	GRAY PANTONE 429C	SMA	135.5[5.33]
ANT-916-CW-HW	916 MHz	1.2 dBi	YELLOW PANTONE 116C	RP-SMA	120.0 [4.72]
ANT-916-CW-HW-SMA	916 MHz	1.2 dBi	YELLOW PANTONE 116C	SMA	120.0 [4.72]
ANT-1.4-CW-HW	1.40 GHz	0.7 dBi	PURPLE PANTONE 527C	RP-SMA	120.0 [4.72]
ANT-1.4-CW-HW-SMA	1.40 GHz	0.7 dBi	PURPLE PANTONE 527C	SMA	120.0 [4.72]
ANT-2.4-CW-HW	2.45 GHz	3.2 dBi	MAGENTA PANTONE 246U	RP-SMA	120.0 [4.72]
ANT-2.4-CW-HW-SMA	2.45 GHz	3.2 dBi	MAGENTA PANTONE 246U	SMA	120.0 [4.72]

WARNING: THIS DRAWING CONTAINS PROPRIETARY INFORMATION THAT IS THE SOLE PROPERTY OF LINX TECHNOLOGIES, AND SHALL BE TREATED AS SUCH. NO DISCLOSURE OR REPRODUCTION OF THIS DOCUMENT IS PERMITTED, IN WHOLE OR IN PART, WITHOUT THE EXPRESS WRITTEN PERMISSION OF LINX TECHNOLOGIES OR ITS DESIGNATED AGENTS.

STE connectivity 159 ORT LANE
MERLIN, OR 97532

TITLE: **ANTENNA CW-HW SERIES**

MATERIAL:	INTERPRET DIMENSIONS AND TOLERANCES PER ASME Y14.5.	PROJECTION:	SIZE	DWG. NO.	REV
WEIGHT:	.X ±2.0 .XX ±1.00 .XXX ±.500	ANGLES: ±1° SURFACE: √	B	C-ANT-fff-CW-HW-ccc	A
FINISH:	DRAWN: L&T ENGR: S.HOGAN	DT: 26-DEC-11 DT: 26-DEC-11	SCALE: 1:1	DO NOT SCALE DRAWING	SHEET 1 OF 1

LDCDFB_B