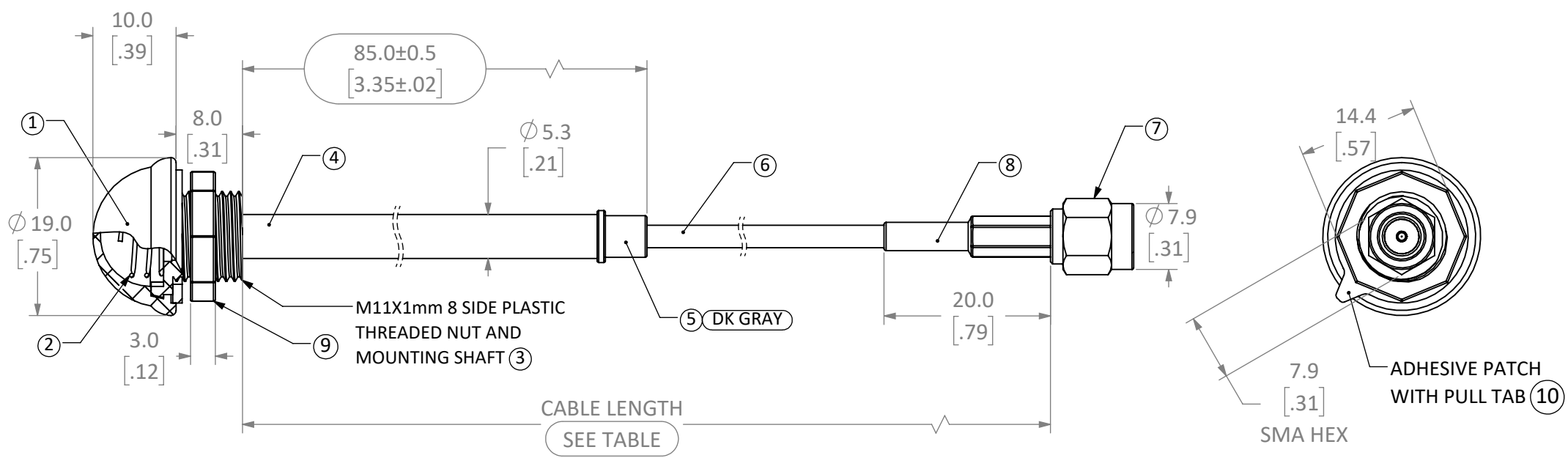


REVISIONS			
REV	DESCRIPTION	DATE	APPV
A	PRODUCTION RELEASE	JHAGER 10/8/20	DV 3/1/21
B	ADDED MMCX-RA CONFIGURATION TO TABULATION	JHAGER 4/23/21	DV
C	ADJUSTED CABLE AND COUNTERPOISE TOLERANCE TO REFLECT MANUFACTURABILITY. UPDATED SHEET TO CURRENT SPECS. ADDED MINIMUM BEND AND BULKHEAD THICKNESS	JHAGER 10/29/21	DV 11/1/21
D	UPDATED DESIGN TO REDUCE TABULATION VARIABLES. DRWG WAS ANT-868-WRT-CCC-X	JHAGER 3/4/2022	

D

D



- NOTES: (UNLESS OTHERWISE SPECIFIED)
- ALL DIMENSIONS ARE IN MILLIMETERS [in].
  - DIMENSIONS APPLY AFTER FINISHING.
  - MANUFACTURE TO BE COMPLIANT WITH EU RoHS DIRECTIVE, USE MATERIALS THAT DO NOT CONTAIN REACH SUBSTANCES OF VERY HIGH CONCERN >1000ppm, AND USE DRC CONFLICT-FREE SOURCED MATERIALS.
  - PACKAGE ANTENNAS INDIVIDUALLY PRIOR TO PLACING IN LOT BAG. LABEL LOT BAG, AND BOX WITH THE FOLLOWING INFORMATION ONLY:
    - LOT NUMBER
    - LINX PART NUMBER
    - QUANTITY
    - COUNTRY OF ORIGIN
  - ANTENNA QUALIFIED AND TESTED IAW LINX INTERNAL TEST PLAN DOCUMENT AT LATEST REVISION.
  - ELECTRICAL DATA SHOWN FOR REFERENCE ONLY. SEE LINX DATA SHEET FOR COMPLETE ELECTRICAL PROPERTIES:
    - CENTER FREQUENCY 868 MHz
    - 50Ω IMPEDANCE
    - VSWR <1.5 TYP @ CENTER
  - MECHANICAL:
    - USE TEMPERATURE: -40°C - +90°C
    - INSTALLATION TEMPERATURE: +10° - +40°C
    - STORAGE TEMPERATURE: +20° @ 50%RH
    - BULKHEAD PLASTIC NUT TORQUE: NTE 4.0kgf/cm [5in/lbS]
    - Ø.425" [10.8mm] RECOMMENDED INSTALL HOLE SIZE
    - MINIMUM BEND RADIUS: 10.2mm
    - MAX PANEL THICKNESS: 4.7mm [.188"]
    - INTERFACE SMA TYPE IAW MIL-STD-348B
    - WEIGHT: 12.5g

C

C

B

B

ITEM NUMBER	DESCRIPTION
10	GASKET FOAM ADH ACRYLIC/ACRYLIC
9	NUT OCT M11X1 POM BLACK
8	SHRINK TUBE 2:1 POLYOL BLACK
7	CONNECTOR SMA-TYPE GOLD/BRASS
6	CABLE COAX RG174U BLACK
5	GUIDE CABLE 868MHZ ABS DK GRAY
4	COUNTERPOISE 868MHZ ELEM NICKEL/BRASS
3	BASE THREADED M11X1 ABS BLACK
2	ELEMENT 868MHZ COIL SWC
1	COVER ELEMENT ABS BLACK

A

A

DESIGN TABLE	
LINX PART NUMBER	CABLE LENGTH
ANT-868-WRT-SMA	216±2mm [8.50]
ANT-868-WRT-SMA-300	300±2mm [11.81]

**WARNING:** THIS DRAWING CONTAINS PROPRIETARY INFORMATION THAT IS THE SOLE PROPERTY OF LINX TECHNOLOGIES, AND SHALL BE TREATED AS SUCH. NO DISCLOSURE OR REPRODUCTION OF THIS DOCUMENT IS PERMITTED, IN WHOLE OR IN PART, WITHOUT THE EXPRESS WRITTEN PERMISSION OF LINX TECHNOLOGIES OR ITS DESIGNATED AGENTS.

**STE** 159 ORT LANE  
connectivity MERLIN, OR 97532

MATERIAL:	INTERPRET DIMENSIONS AND TOLERANCES PER ASME Y14.5.	PROJECTION: 	TITLE: <b>ANTENNA PURCHASED ASSEMBLY WRT VAR END CONN AND PACK</b>	
WEIGHT:	.X ±2.0 .XX ±1.00 .XXX ±.500		ANGLES: ±1° SURFACE:	SIZE DWG. NO. REV <b>B</b> C-ANT-868-WRT-SMA-LLL <b>D</b>
FINISH:	DRAWN: JHAGER DT: 10/8/20 ENGR: DASARATHAN DT: 3/1/21		SCALE: 1.5:1 DO NOT SCALE DRAWING SHEET 1 OF 1	