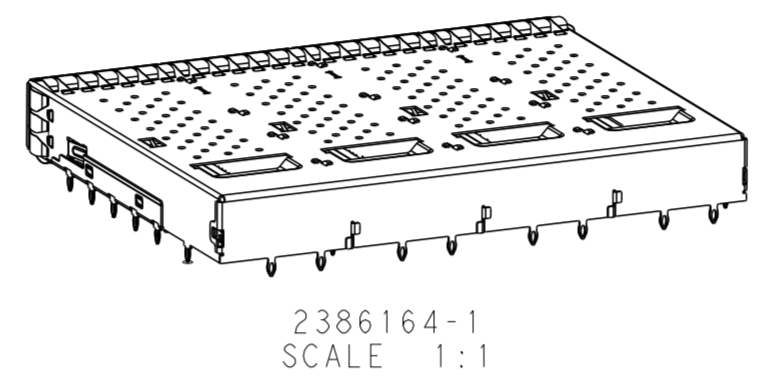
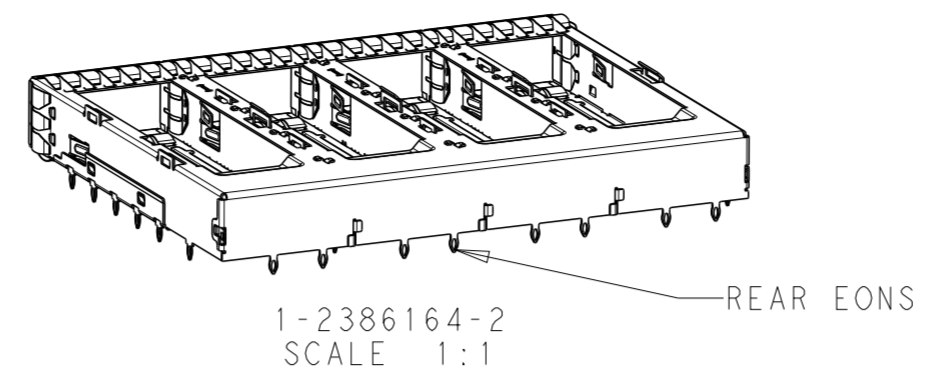
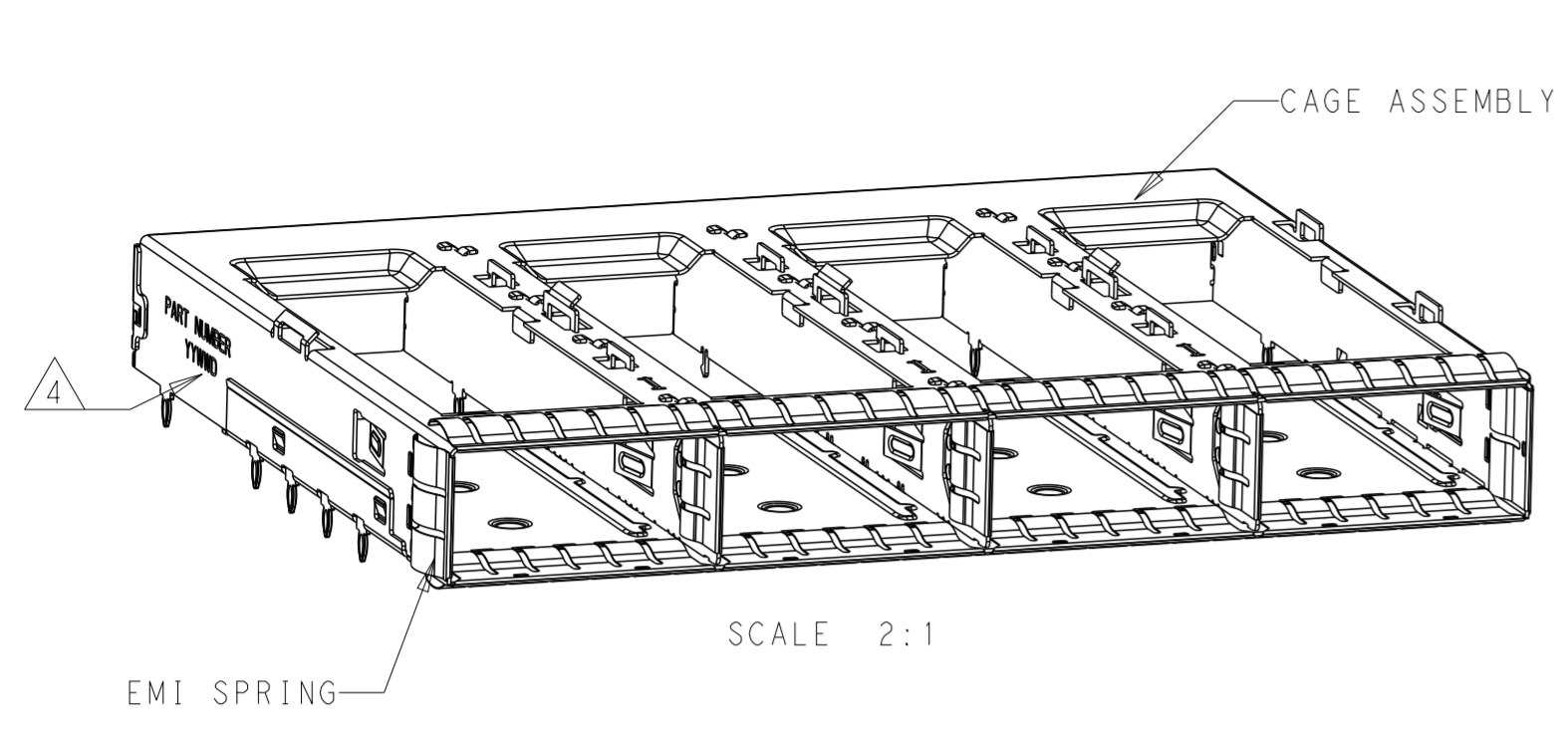
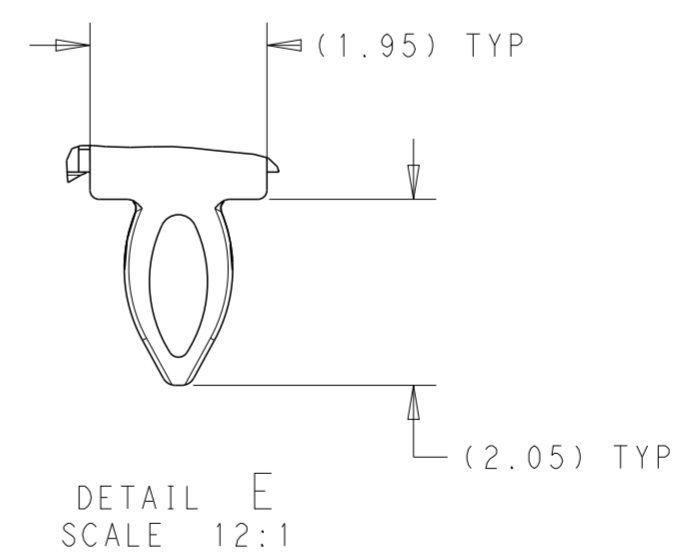
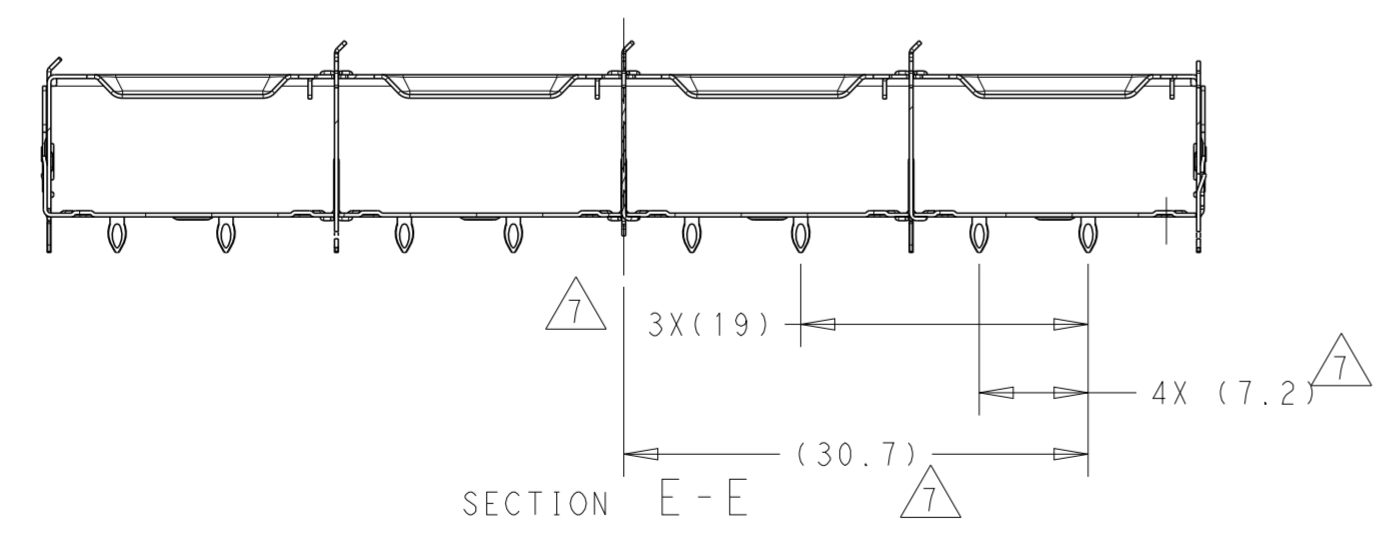
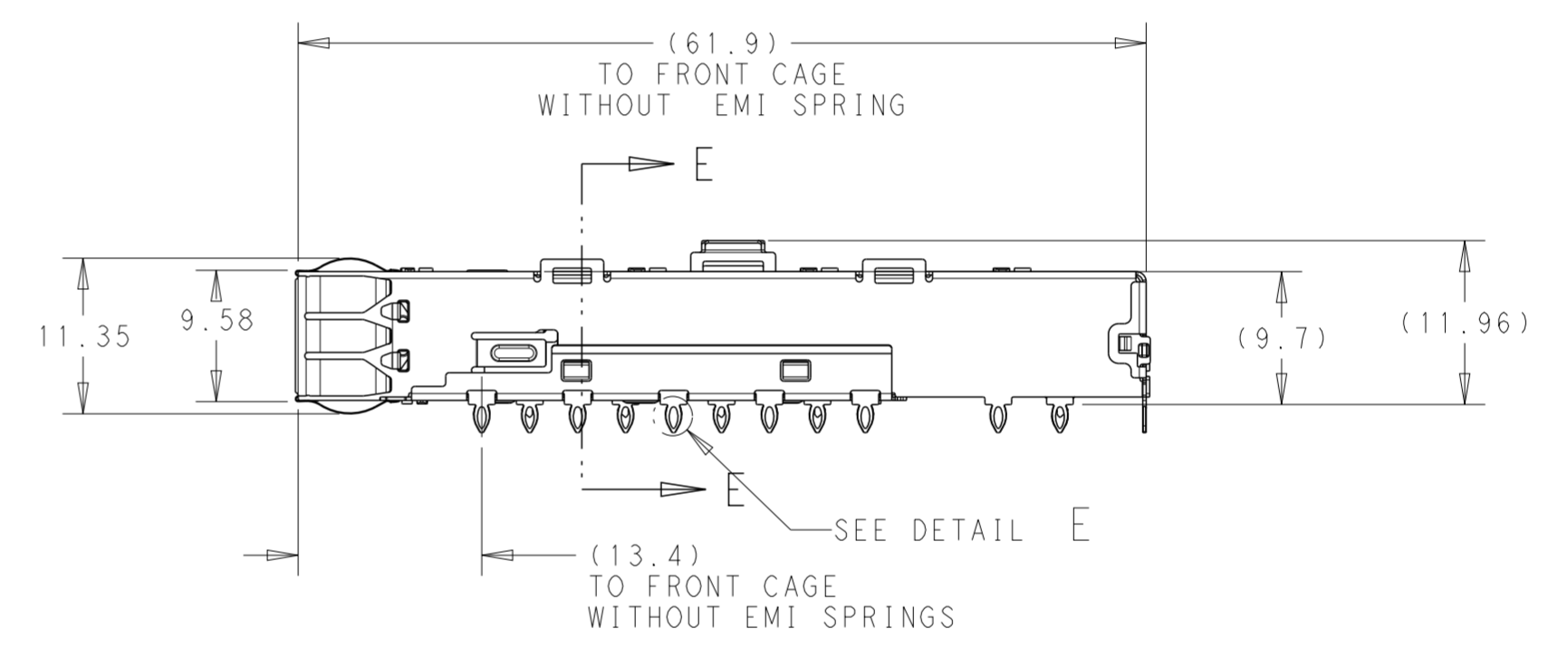
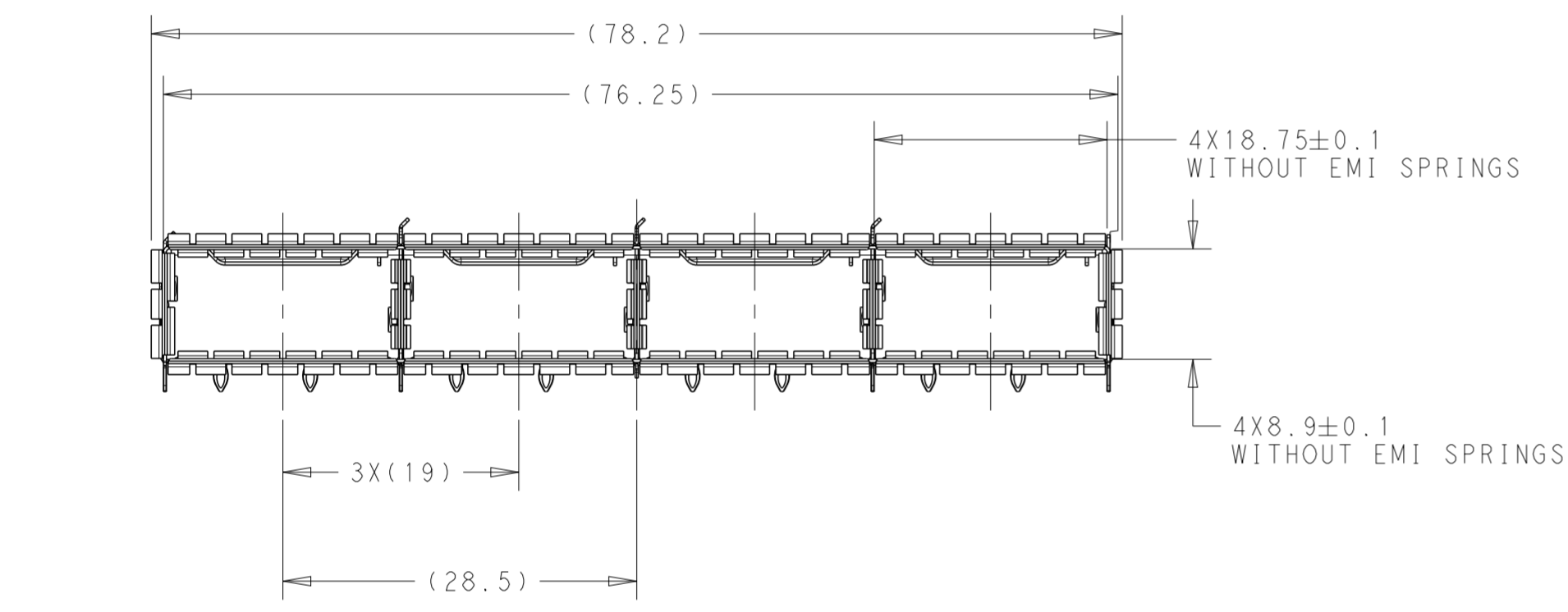


THIS DRAWING IS UNPUBLISHED. RELEASED FOR PUBLICATION 20
 © COPYRIGHT 20 BY - ALL RIGHTS RESERVED.

REVISIONS				
P	LTR	DESCRIPTION	DATE	APVD
A		INITIAL RELEASE	20SEP2022	VL SZH



- 1 CAGE ASSEMBLY: STAINLESS STEEL.
EMI SPRING: COPPER ALLOY/NICKEL PLATE.
- 2 REFERENCE APPLICATION SPECIFICATION 114-32023 FOR RECOMMENDED DRILL HOLE DIAMETER AND PLATING THICKNESS. BOARD LAYOUT PER THIS PRINT.
- 3 DATUM AND BASIC DIMENSION ESTABLISHED BY CUSTOMER.
- 4 DATE CODE (YYWW) MARKED APPROXIMATELY AS SHOWN.
- 5. MATES WITH QSFP DD MSA COMPATIBLE TRANSCEIVER.
- 6. MINIMUM PC BOARD THICKNESS: SINGLE SIDED: 1.45 MIN
DOUBLE SIDED: 2.20 MIN
- 7 ONLY FOR VERSION WITH REAR EONS

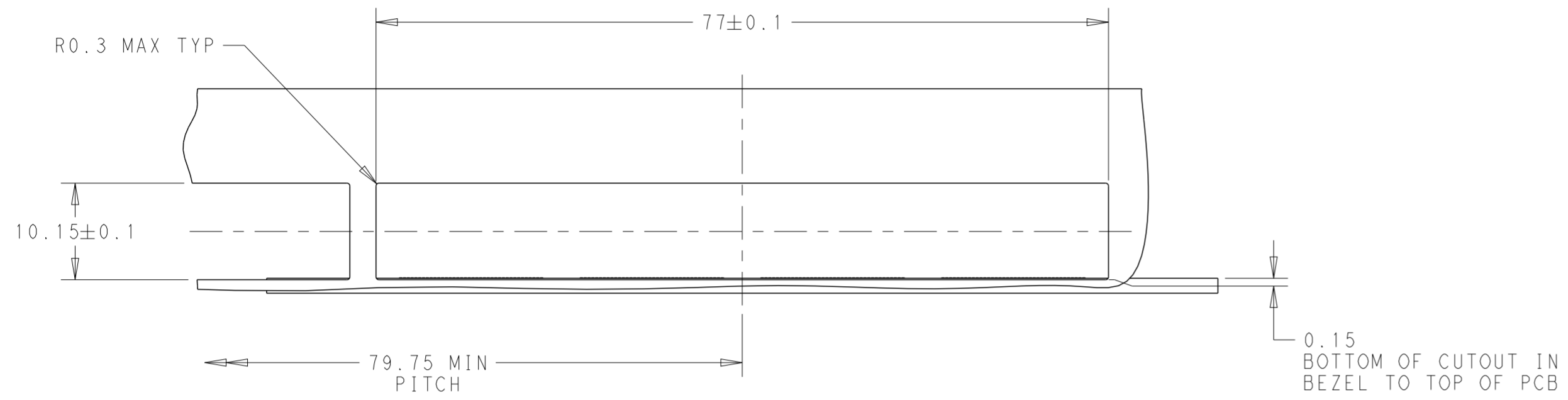


HS OPENING	0	1-2386164-5
CLOSED TOP	0	1-2386164-1
HS OPENING	2 PER PORT	1-2386164-2
CLOSED TOP	2 PER PORT	2386164-1
REMARK	REAR EON#	PART NUMBER

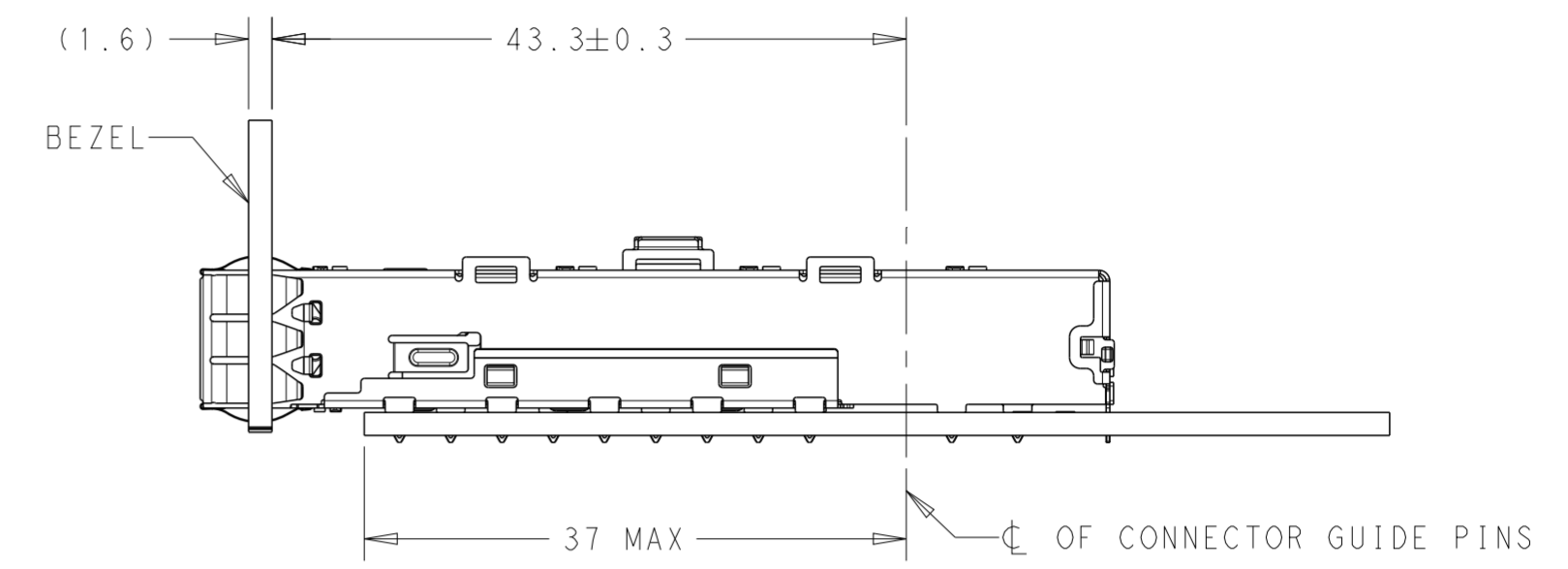
THIS DRAWING IS A CONTROLLED DOCUMENT.		DWN VINDY LIU 13JAN2022	TE Connectivity	
DIMENSIONS: mm		CHK SZH 13JAN2022		
TOLERANCES UNLESS OTHERWISE SPECIFIED:		APVD SZH 13JAN2022	NAME CAGE ASSEMBLY THRU BEZEL, 1X4, QSFP112	
0 PLC ±0.25	1 PLC ±0.25	PRODUCT SPEC -	SIZE A2	CAGE CODE -
2 PLC ±0.25	3 PLC ±	APPLICATION SPEC -	DRAWING NO C-2386164-C	RESTRICTED TO -
4 PLC ±	ANGLES ±	WEIGHT -	SCALE 2:1	SHEET 1 OF 5
MATERIAL -1	FINISH -1	CUSTOMER DRAWING	REV A	

THIS DRAWING IS UNPUBLISHED. RELEASED FOR PUBLICATION 20
 © COPYRIGHT 20 BY - ALL RIGHTS RESERVED.

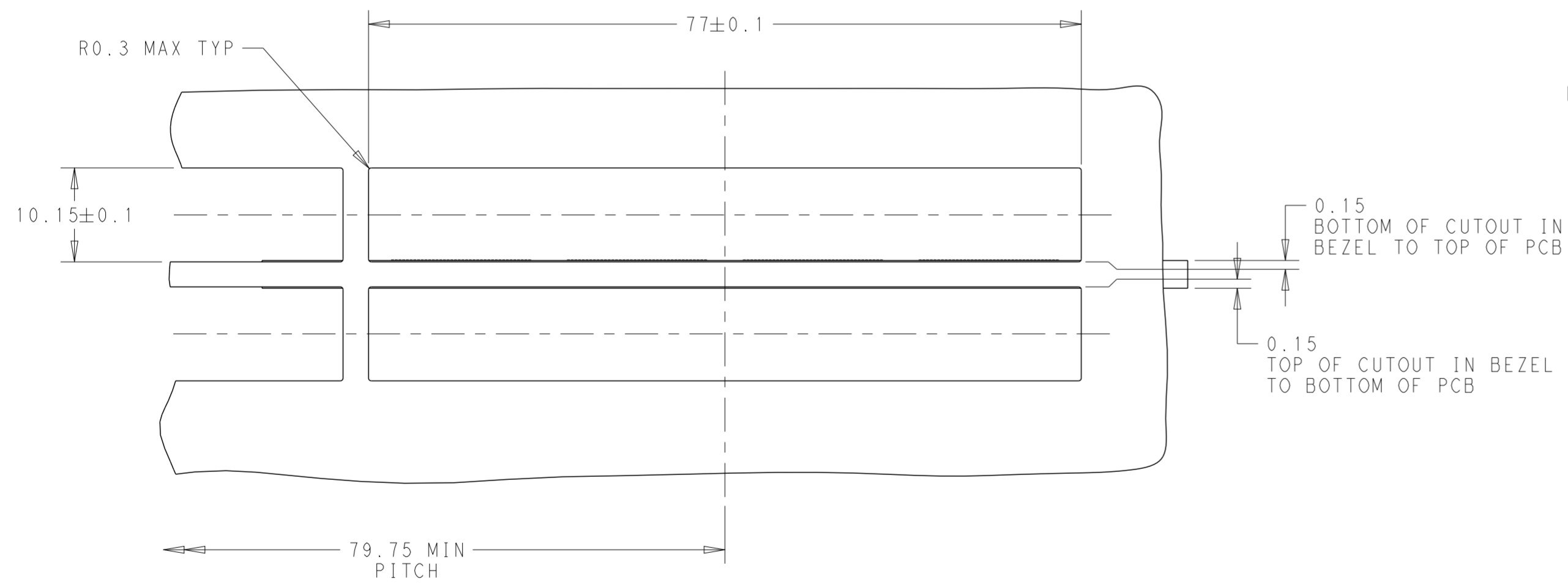
REVISIONS				
P	LTR	DESCRIPTION	DATE	APVD
-	-	SEE SHEET 1	-	-



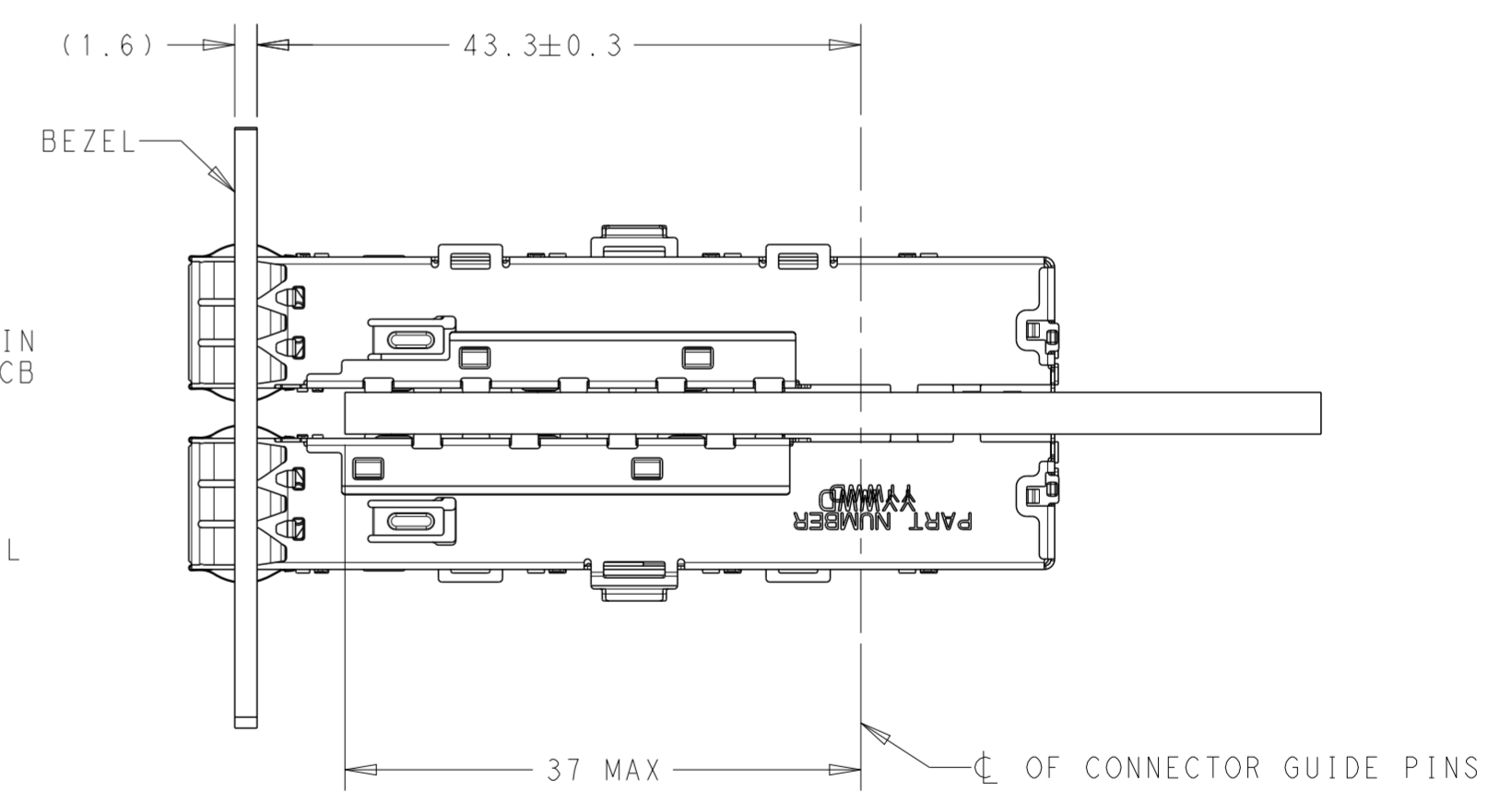
CAGE ASSEMBLY OMITTED FOR CLARITY



SINGLE SIDE MOUNTING



CAGE ASSEMBLY OMITTED FOR CLARITY

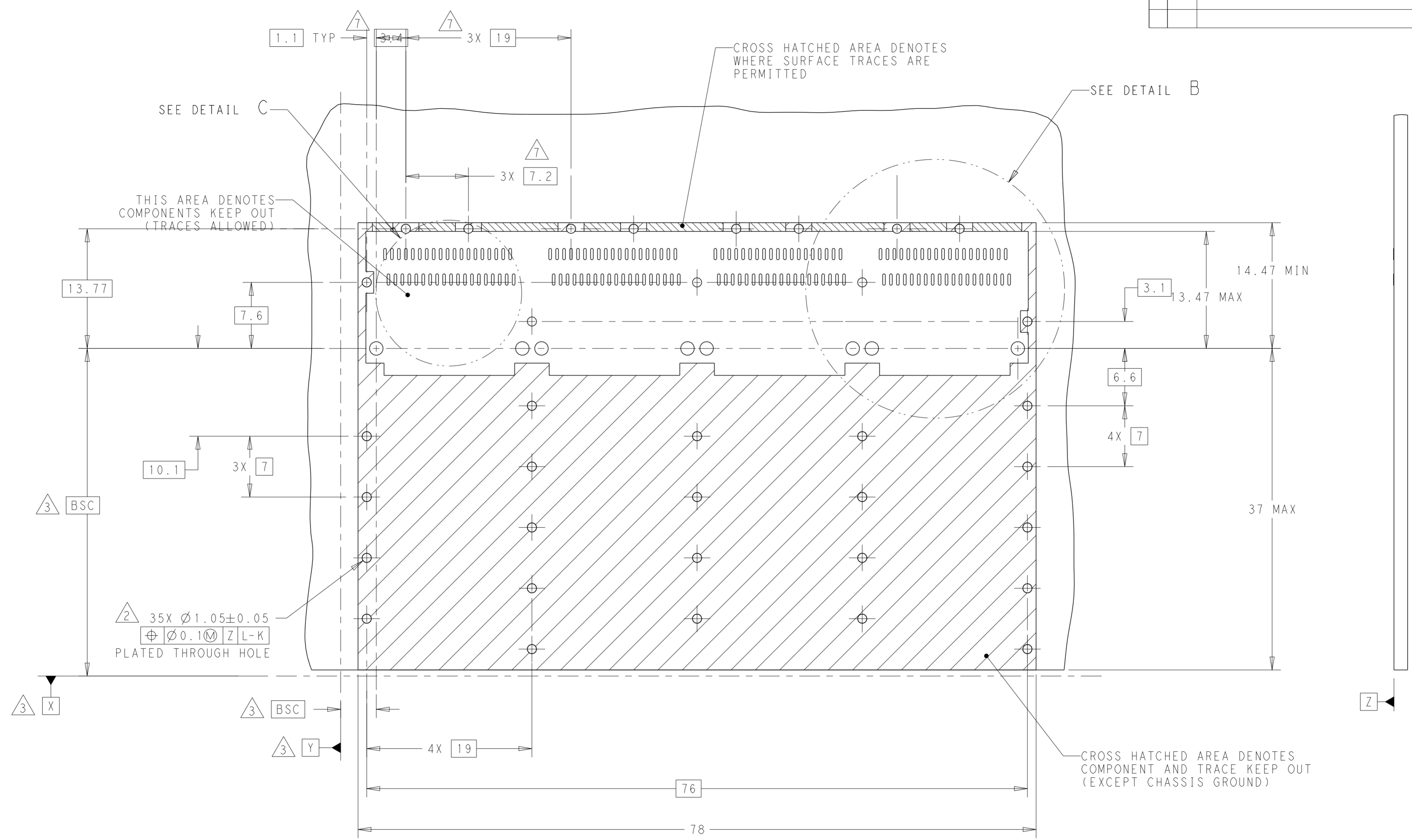


BELLY TO BELLY MOUNTING

THIS DRAWING IS A CONTROLLED DOCUMENT.		DWN VINDY LIU 13JAN2022	TE Connectivity	
DIMENSIONS: mm		CHK SZH 13JAN2022		
TOLERANCES UNLESS OTHERWISE SPECIFIED:		APVD SZH 13JAN2022	NAME CAGE ASSEMBLY THRU BEZEL, 1X4, QSFP112	
0 PLC ±0.25	1 PLC ±0.25	PRODUCT SPEC -	SIZE A2	CAGE CODE -
2 PLC ±0.25	3 PLC ±	APPLICATION SPEC -	DRAWING NO C-2386164-C	RESTRICTED TO -
4 PLC ±	ANGLES ±	WEIGHT -	SCALE 1:1	SHEET 2 OF 5
MATERIAL -	FINISH -	CUSTOMER DRAWING	REV A	

THIS DRAWING IS UNPUBLISHED. RELEASED FOR PUBLICATION 20
 © COPYRIGHT 20 BY - ALL RIGHTS RESERVED.

REVISIONS				
P	LTR	DESCRIPTION	DATE	APVD
-	-	SEE SHEET 1	-	-

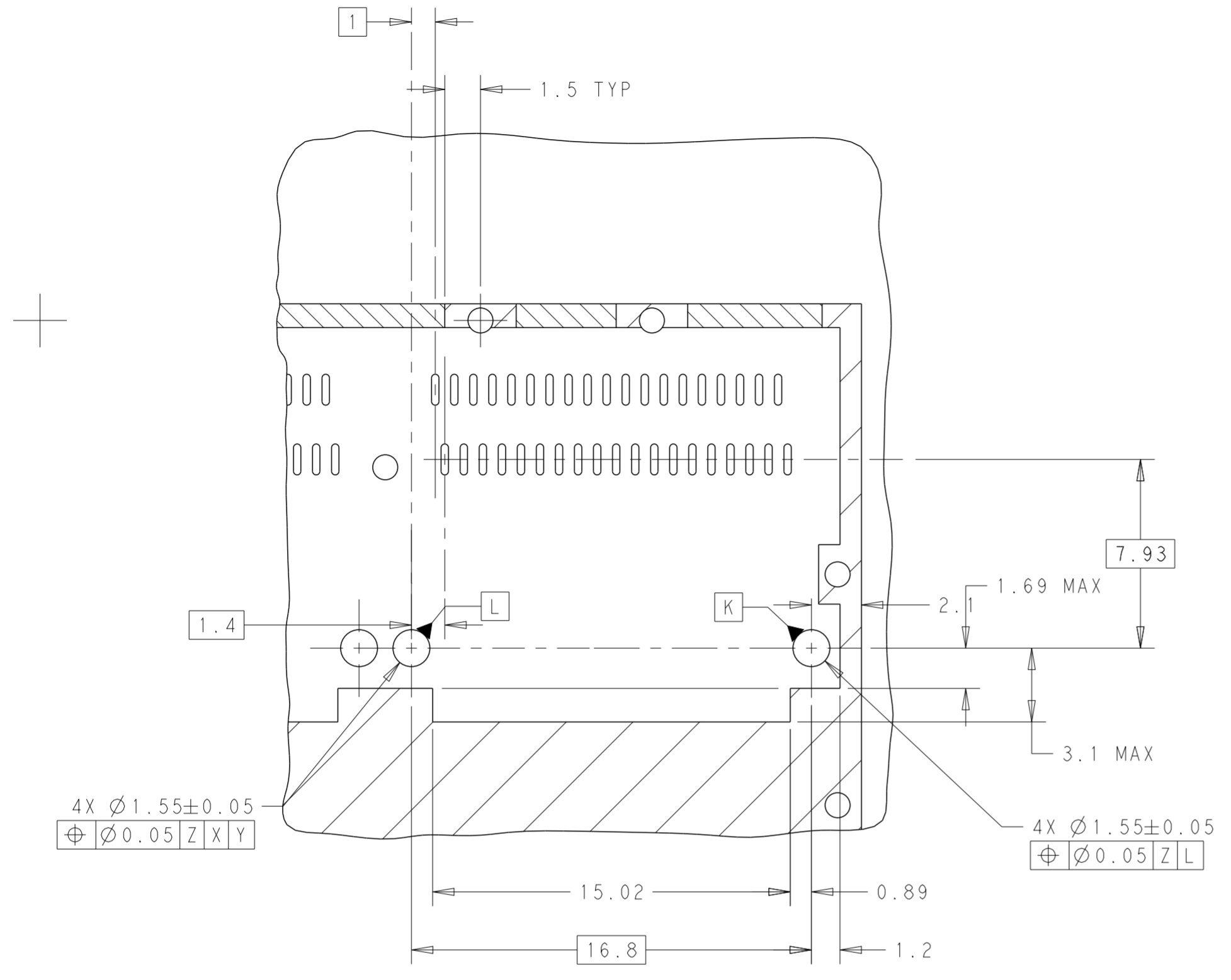


RECOMMENDED PCB LAYOUT
 SINGLE TYPE
 SCALE 3:1

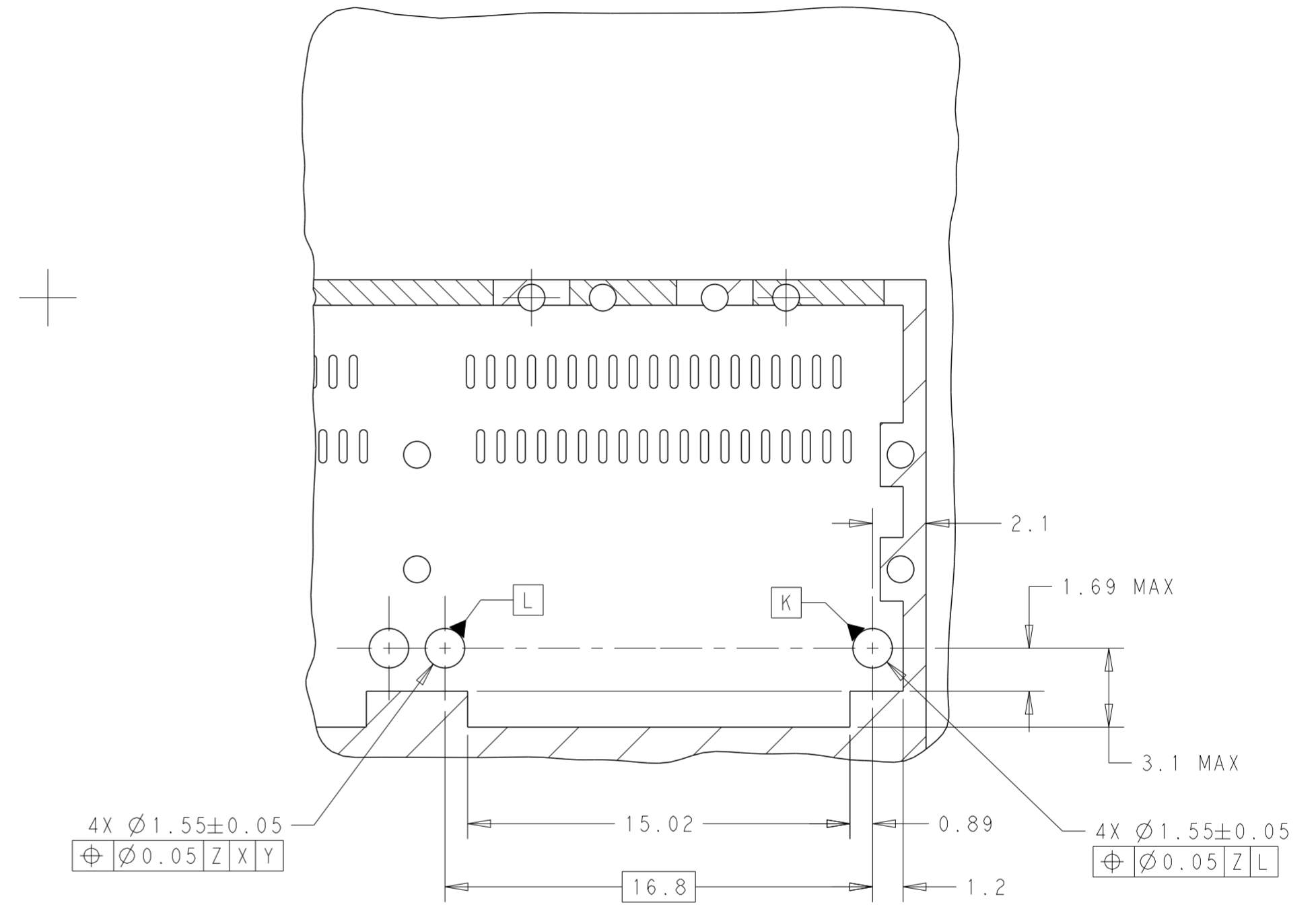
THIS DRAWING IS A CONTROLLED DOCUMENT.		DWN VINDY LIU 13JAN2022	TE Connectivity	
DIMENSIONS: mm		CHK SZH 13JAN2022		
TOLERANCES UNLESS OTHERWISE SPECIFIED:		APVD SZH 13JAN2022	NAME CAGE ASSEMBLY THRU BEZEL, 1X4, QSFP112	
0 PLC ±0.25	1 PLC ±0.25	PRODUCT SPEC -	SIZE A2	
2 PLC ±0.25	3 PLC ±	APPLICATION SPEC -	CAGE CODE -	DRAWING NO C-2386164-C
4 PLC ±	ANGLES ±	WEIGHT -	RESTRICTED TO -	SCALE 1:1 SHEET 3 OF 5 REV A
MATERIAL -	FINISH -	CUSTOMER DRAWING		

THIS DRAWING IS UNPUBLISHED. RELEASED FOR PUBLICATION 20
 © COPYRIGHT 20 BY - ALL RIGHTS RESERVED.

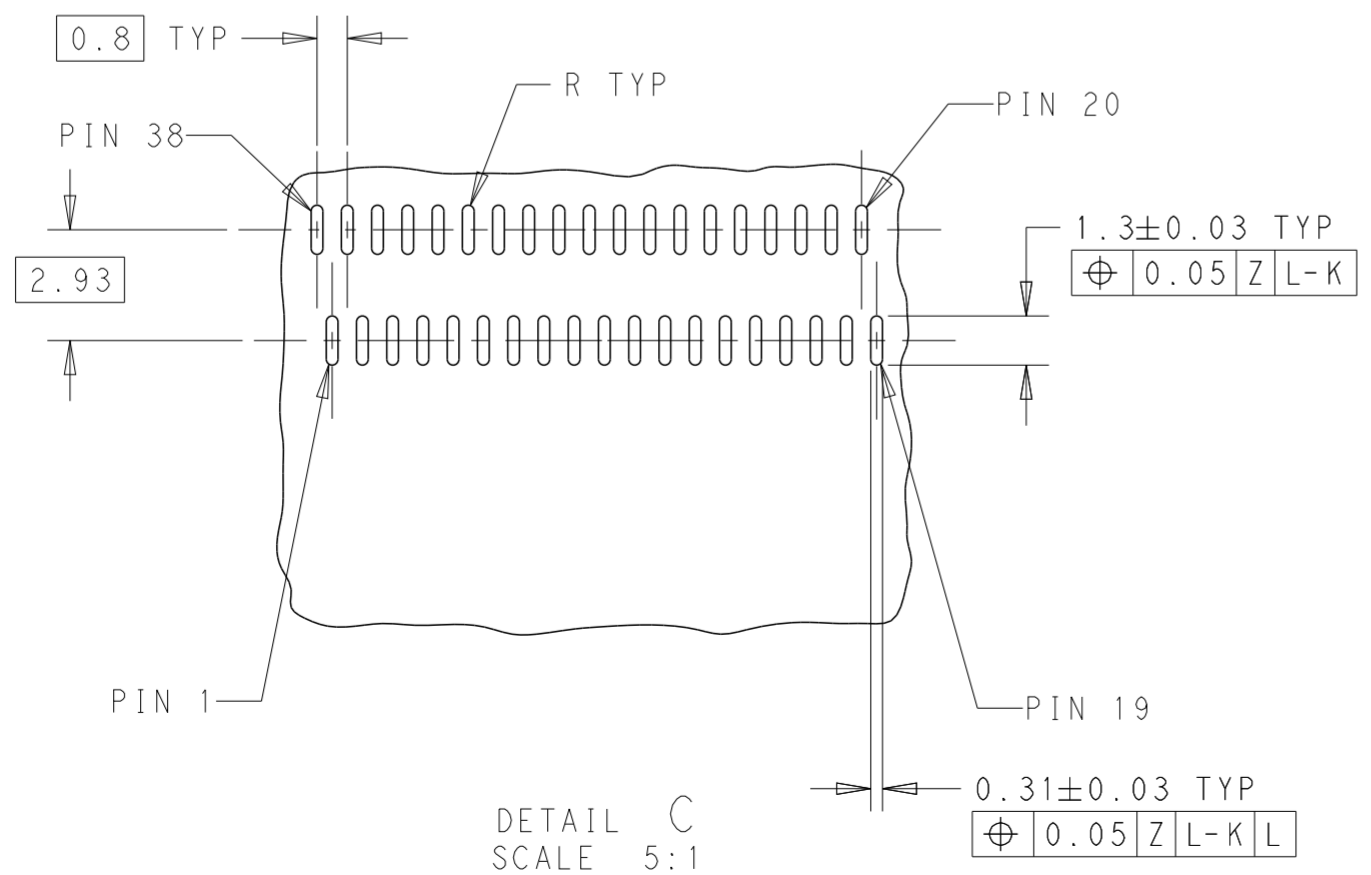
REVISIONS				
P	LTR	DESCRIPTION	DATE	APVD
-	-	SEE SHEET 1	-	-




DETAIL B
SCALE 5:1



DETAIL D
SCALE 5:1



DETAIL C
SCALE 5:1

THIS DRAWING IS A CONTROLLED DOCUMENT.		DWN VINDY LIU 13JAN2022	 TE Connectivity	
DIMENSIONS: mm		CHK SZH 13JAN2022		
TOLERANCES UNLESS OTHERWISE SPECIFIED:		APVD SZH 13JAN2022	NAME CAGE ASSEMBLY THRU BEZEL, 1X4, QSFP112	
0 PLC ±0.25	1 PLC ±0.25	PRODUCT SPEC	SIZE A2	
2 PLC ±0.25	3 PLC ±	APPLICATION SPEC	CAGE CODE	DRAWING NO
4 PLC ±	ANGLES ±	WEIGHT	-	C-2386164-C
FINISH		CUSTOMER DRAWING	SCALE 1:1	SHEET 5 OF 5
				REV A